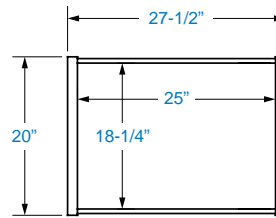




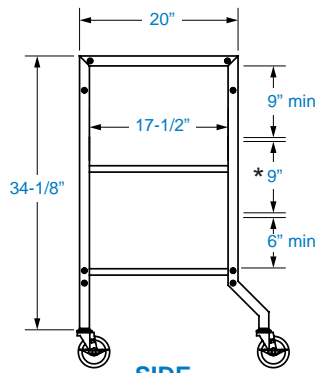
TVT3 Series

MOBILE CART WITH MULTI-POSITION CENTER SHELF

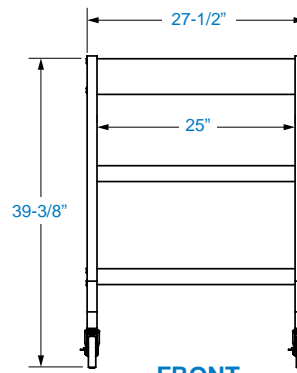
* Ten shelf locations, spaced at 1-inch intervals are provided for center shelf.



TOP



SIDE



FRONT

MODEL	CORD INCLUDED	LOAD LIMIT (lbs)	BLACK WRINKLE	SHIP. WT. (lbs)
TVT3	NO	200	•	67
TVT3C	YES	200	•	69

NOTES:

- 4" heavy duty casters with 360° swivel and locking brakes.
- **UL** and **CSA** approved 15' grounded 15 amp cord with dual outlets, see **CRACORD**.
- 5/8" safety lip on each deck level.
- Knock-down shipping with assembly required.
- Shelf is recessed 3/16".
- Safety strap included.

1-800-LUCASEY