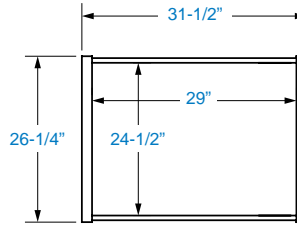


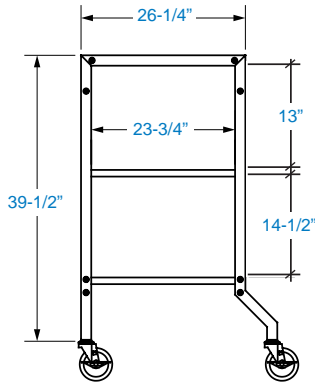


TVT5 Series

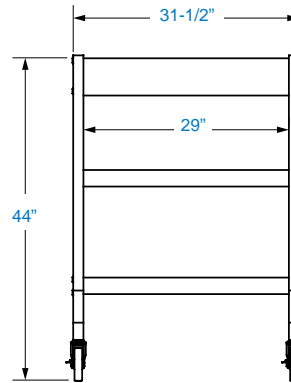
SERIES HEAVY LOAD MOBILE CART



TOP



SIDE



FRONT

MODEL	CORD INCLUDED	LOAD LIMIT (lbs)	BLACK WRINKLE	SHIP. WT. (lbs)
TVT5	NO	200	•	80
TVT5C	YES	200	•	82

NOTES:

- 4" heavy duty casters with 360° swivel and locking brakes.
- **UL** and **CSA** listed 15' grounded 15 amp cord with dual outlets, see [CRACORD](#).
- 5/8" safety lip on each shelf.
- KD shipping with assembly required.
- Shelf is recessed 3/16".
- Safety strap included.

1-800-LUCASEY