

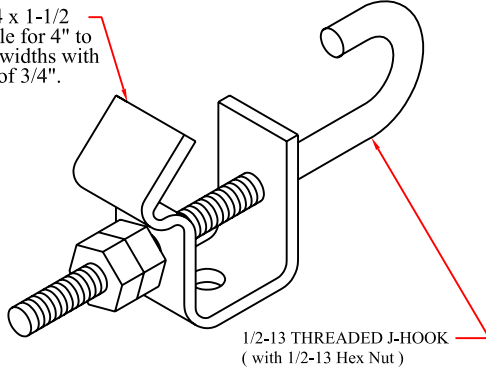


MRABC BEAM CLAMP

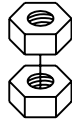
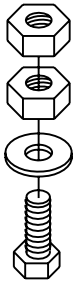
ALLOWS INSTALLATION OF SUSPENSION SYSTEMS and MOUNTS TO I-BEAM CEILINGS

MRABC BEAM CLAMP INCLUDED PARTS

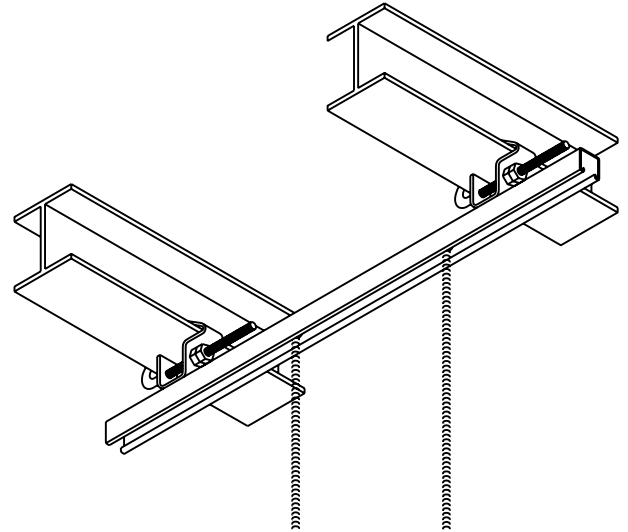
CLAMP (Stl. 1/4 x 1-1/2 inches) Adjustable for 4" to 8" I-beam flange widths with a max. thickness of 3/4".



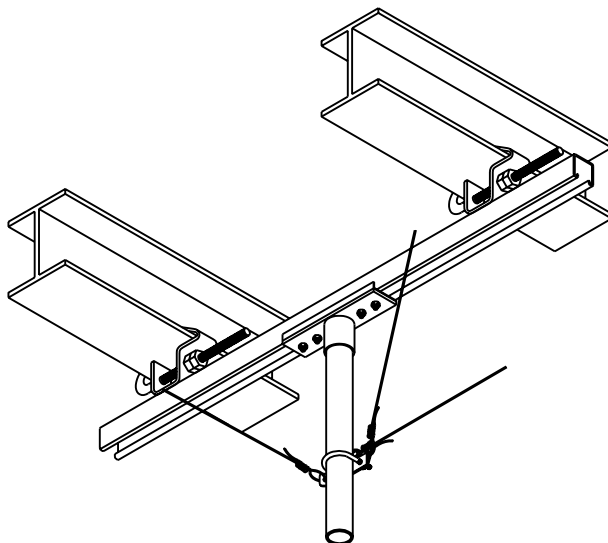
1/2-13 THREADED J-HOOK
(with 1/2-13 Hex Nut)



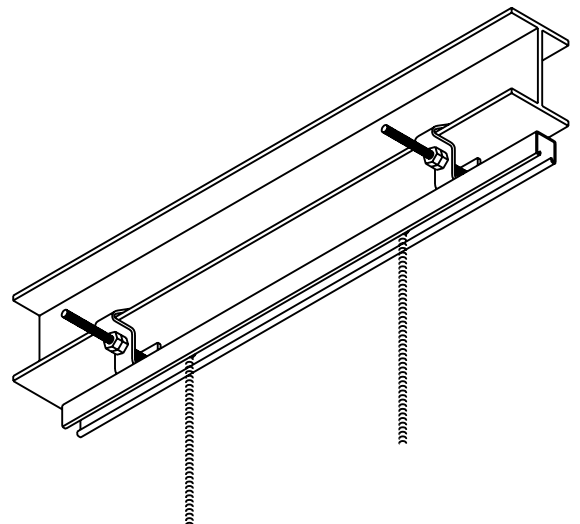
1/2-13 HEX BOLT,
WASHER and HEX NUTS
INCLUDED FOR
CHANNEL OR
ALL-THREADED ROD
ATTACHMENT



TYPICAL BEAM TO BEAM CONNECTION USING 1-5/8" STEEL CHANNEL FOR THREADED ROD SUPPORT.



TYPICAL BEAM TO BEAM CONNECTION USING 1-5/8" STEEL CHANNEL FOR PIPE SUPPORT WITH "CMASTA" STABILIZER KIT.



TYPICAL SINGLE BEAM CONNECTION USING 1-5/8" STEEL CHANNEL FOR THREADED ROD SUPPORT.