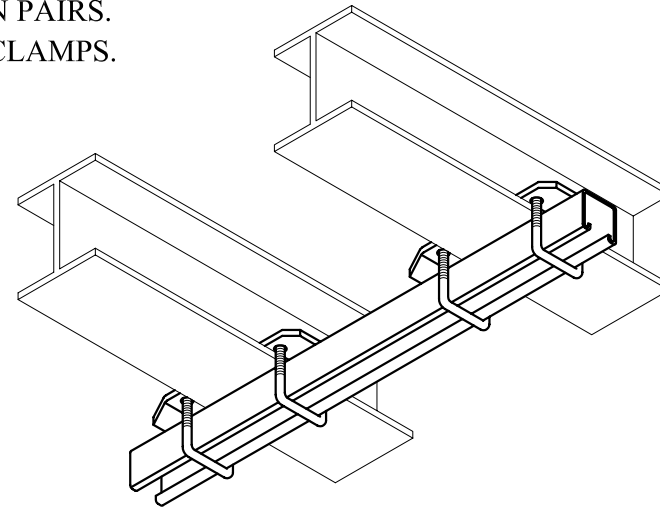
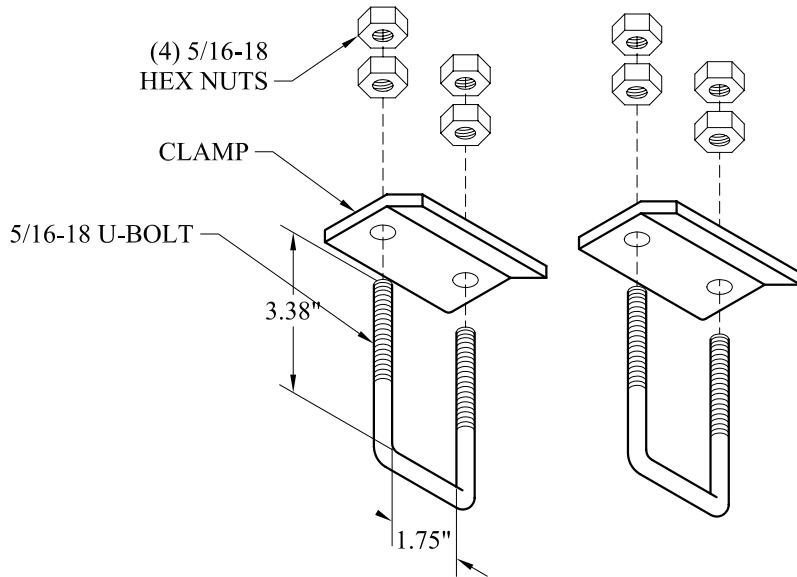


### MRABCUN1 BEAM CLAMP KIT

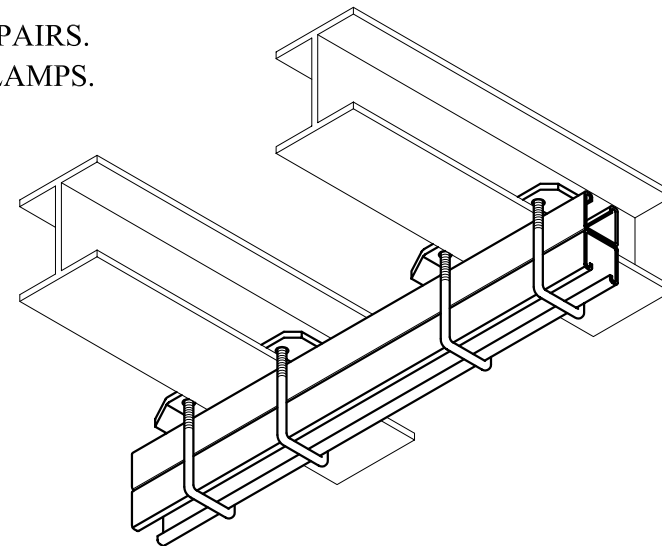
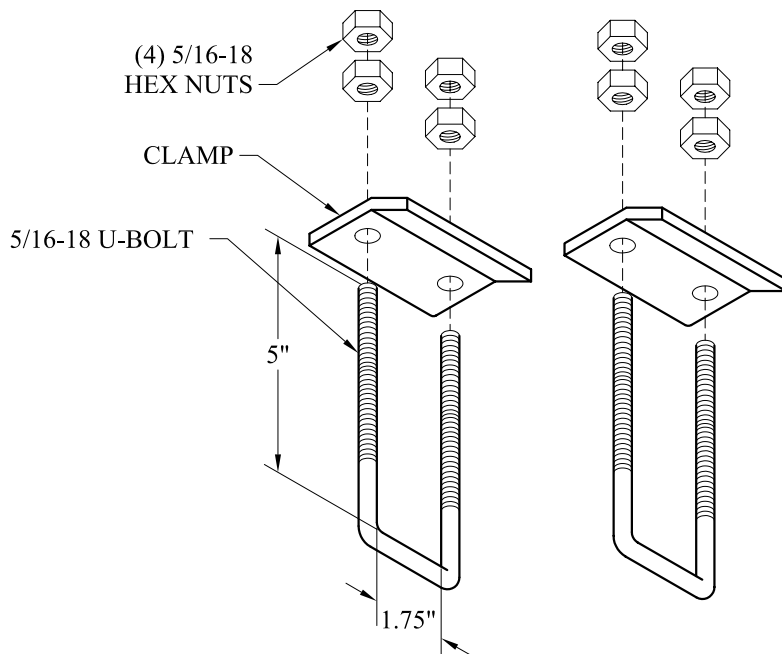
MUST BE USED IN PAIRS.  
EACH KIT HAS 2 CLAMPS.



TYPICAL BEAM TO BEAM CONNECTION USING  
2 MRABCUN1 & 1-5/8" STEEL CHANNEL

### MRABCUN2 BEAM CLAMP KIT

MUST BE USED IN PAIRS.  
EACH KIT HAS 2 CLAMPS.



TYPICAL BEAM TO BEAM CONNECTION USING 2 MRABCUN2  
& DOUBLE CHANNEL FOR ADDED STRENGTH

Protected under one or more of these U.S. Patent numbers: 4,878,645 4,852,842 DES.309,562 4,973,023 5,169,114 5,255,884 5,310,152  
5,522,576 5,621,614 Re.35,677 DES.398,834 5,826,384 5,941,492 5,964,068 6,060,661 6,102,398 6,158,704 6,454,116B1