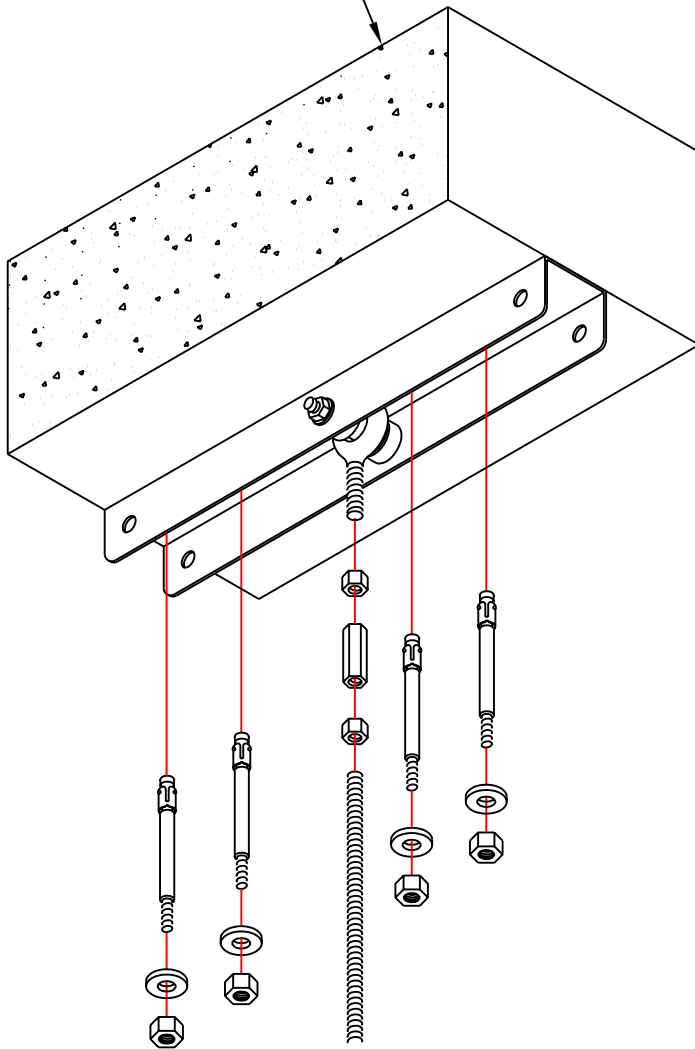




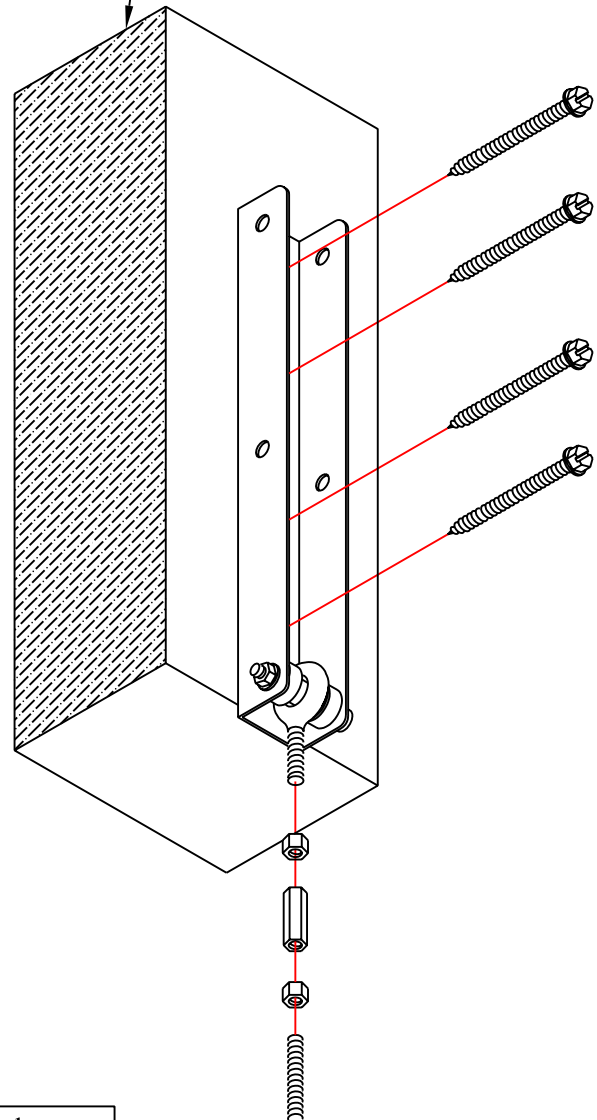
Part No. MRACB Ceiling Bracket Assembly

Secures 1/2-13 threaded rod to overhead wood or concrete structures. Can be installed vertically, horizontally, and at angles.

Concrete Installation



Wood Installation



Hardware also includes
12 spacer washers.
