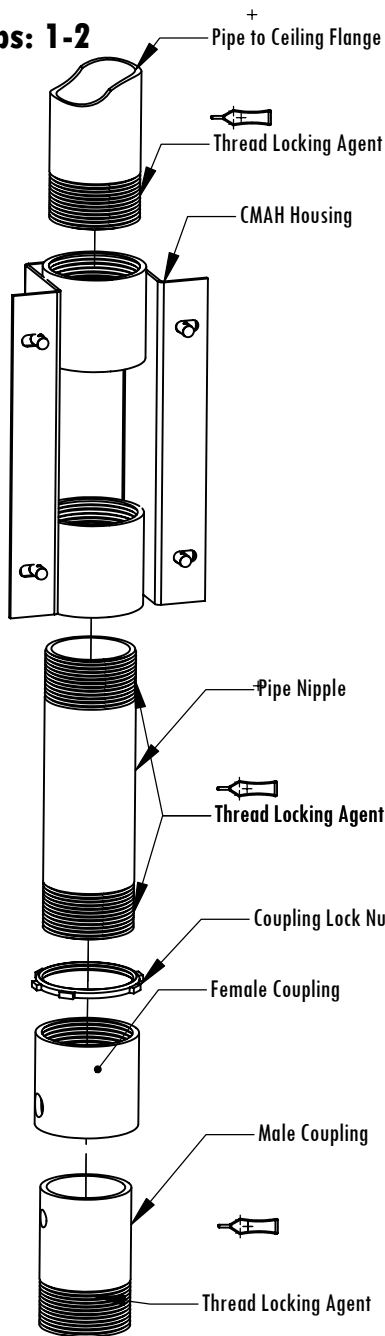


Steps: 1-2

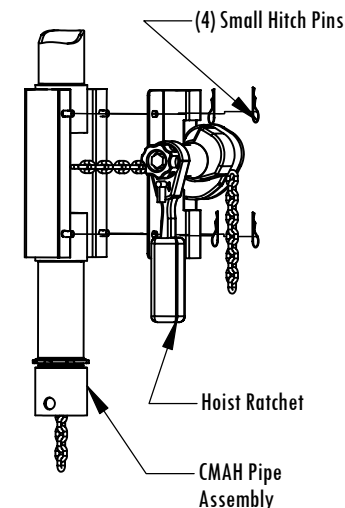


CMAH Ratchet Hoist Instructions

- Read all warnings [See Page 2] and perform a complete safety inspection before every usage.
- **DO NOT** use the hoist if it is damaged in any way.
- Assemble the TV mount directly below the ceiling or wall mount.
- The mount should be at a 0° tilt.
- Tighten all fasteners on the ceiling mount to prevent slippage.
- Pre-assemble the pipe, coupling and hoist components on the floor. Take measurements to insure the desired viewing height will be achieved (Note: Standard threaded pipe can be substituted to increase or decrease the total drop from the ceiling) See Illustration A below for total distance.
- The hoist may be positioned according to preference, either just below the flange, just above a false ceiling or atop the mount by rearranging pipe sections.
- Stabilizer kits are strongly recommended if the distance between the ceiling and the ceiling mount is 36 inches or more.

1. Disassemble the CMAH pipe assembly. Apply thread locking liquid to all threaded pipe connections and reassemble. Secure the coupling lock nut after the female coupling has been tightened.
2. After all the pipe fittings are secure, thread the CMAH pipe assembly into the ceiling flange and tighten.
3. Apply thread lock agent to the male coupling. Thread the male coupling into the center yoke of the ceiling mount assembly and tighten.
4. Feed the hoist chain through the assembly. Jiggle slightly to prevent links from gathering or lodging.
5. Position the hoist on the studs and secure with the four small hitch pins.
6. Switch the ratchet to down, ratchet down and guide the chain through the center yoke coupling.
7. Slip the last chain link through the support washer. Secure the support washer to the chain with the large hitch pin.

Steps: 3-6



Step: 7

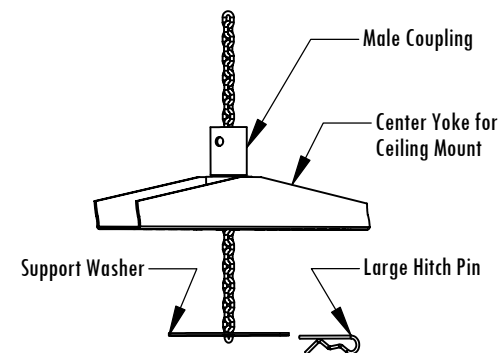
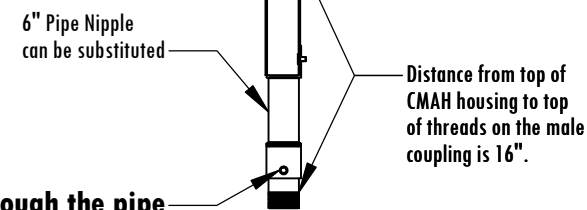


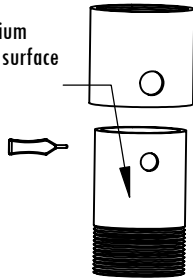
Illustration A:



Important! Hole must be parallel to hoist housing to allow chain clear passage through the pipe

Step: 8

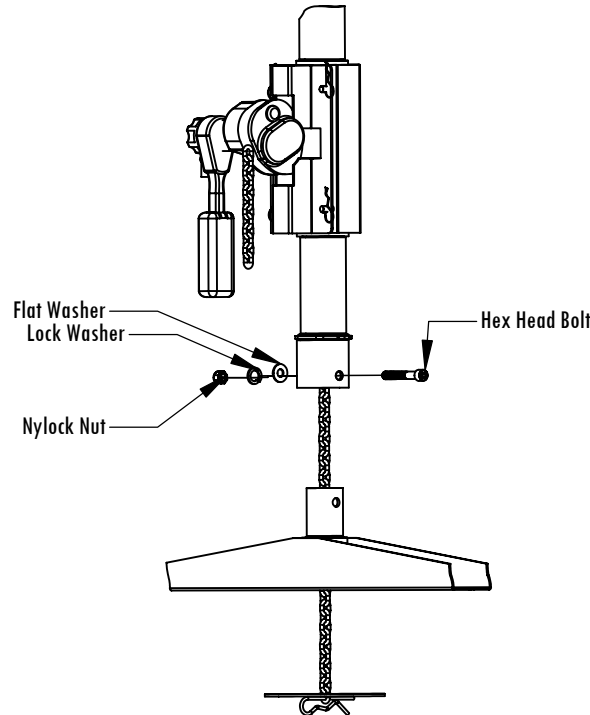
Important: Apply lithium grease to the smooth surface of the male coupling.



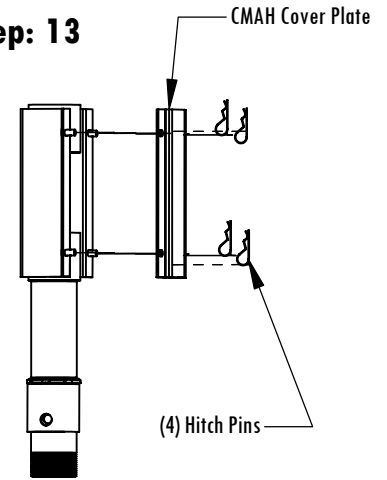
8. Apply lithium grease to the surface of the male coupling to prevent binding when the couplings come together.
9. Switch the ratchet to up and ratchet the TV ceiling mount assembly upward. Ladders and other objects must be clear so that they do not come into contact with the rising load.
10. Ratchet up slowly and guide the male coupling into the female coupling.
11. Rotate and align the coupling holes. Insert the support bolt through the large hole in female coupling and fasten with washer, lock washer and nylock nut. (The chain link will shift to allow the bolt through).
12. Inspect all ceiling mount components to be sure that the mount is secure. Switch the ratchet to the down position. Ratchet the chain down and remove the large hitch pin and support washer.
13. To remove the hoist, take out the four hitch pins. The hitch pins may be reused to secure the cover plate.

CMAH Ratchet Hoist Instructions

Steps: 9-12



Step: 13



WARNINGS



- **DO NOT** use if joist halves are separating. Separation indicates the hoist was overloaded or damaged.
- **DO NOT** lift more than 500 lbs. (230kg.).
- **DO NOT** use if the hoist, chain links or other components are twisted, kinked or otherwise damaged in any way.
- **DO NOT** lift people.
- **DO NOT** operate the hoist if people are standing beneath it.
- **DO NOT** wrap the chain around or use the chain as a sling.
- **DO NOT** let the load come into contact with other objects.
- **DO NOT** lift loads at angles. Center the load below the hoist before lifting.

Note: CMAH units, as well as any ancillary equipment used in conjunction with or in support of these units, should be installed by qualified professional personnel using accepted techniques and using all the recommended installation hardware and guidelines.