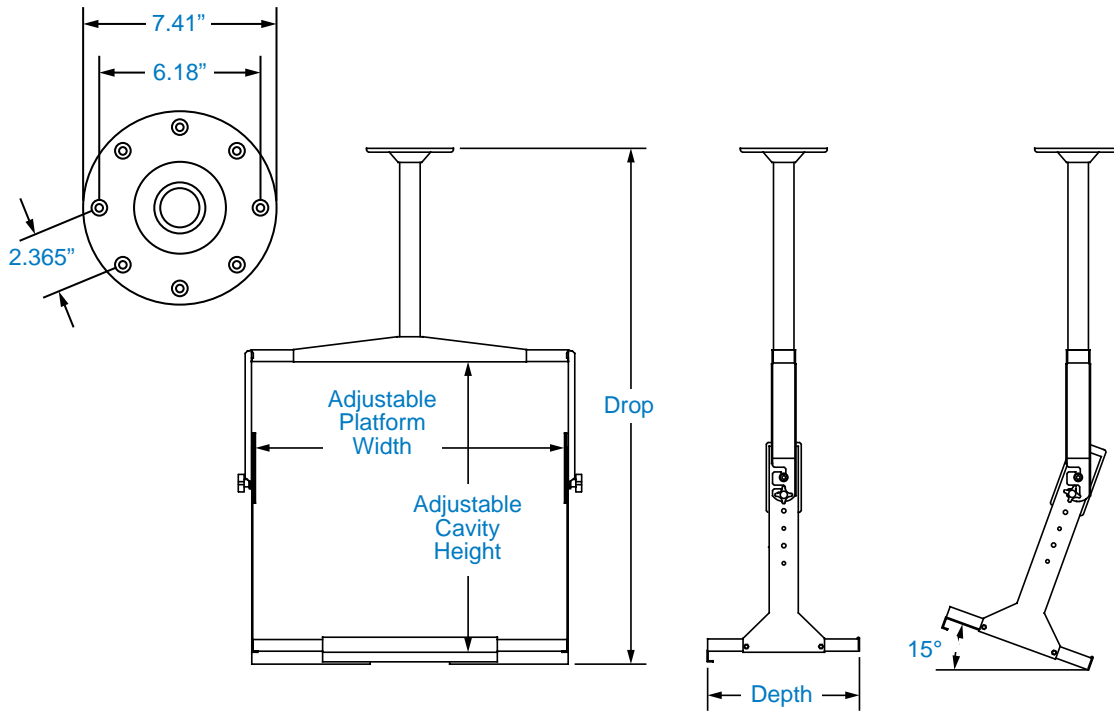




ACM Series

ADJUSTABLE YOKE CEILING MOUNT



MODEL	PLATFORM WIDTH	PLATFORM DEPTH	LOAD LIMIT (lbs)	SWIVEL	TILT	CAVITY HEIGHT	DROP FROM CEILING	BLACK WRINKLE SHIP. WT. (lbs)
ACM1420	14"-20"	11"	120	360°	0°-15°	11-3/4"-19-1/4"	31-3/4"-39-1/4"	• 20
ACM2030	20"-30"	13"	120	360°	0°-15°	16-3/4"-24-1/4"	36-3/4"-44-1/4"	• 25
ACM203L	20"-30"	13"	120	360°	0°-15°	20-3/4"-28-1/4"	40-3/4"-48-1/4"	• 26
ACM2333	23"-33"	13"	120	360°	0°-15°	16-3/4"-24-1/4"	36-3/4"-44-1/4"	• 28
ACM233L	23"-33"	13"	120	360°	0°-15°	20-3/4"-28-1/4"	40-3/4"-48-1/4"	• 30

NOTES:

- Adhesive grips for additional monitor stability.
- 18" schedule 40 pipe. **ACM1420** = 1" I.D.; **ACM2030** = 1-1/4" I.D.; **ACM2333** = 1-1/4" I.D. Custom lengths available.
- Drop can be increased or decreased by substitution of the 18" pipe.
- Safety strap included.
- See [Ceiling Mount Accessories](#) for special hardware and accessories.

1-800-LUCASEY