

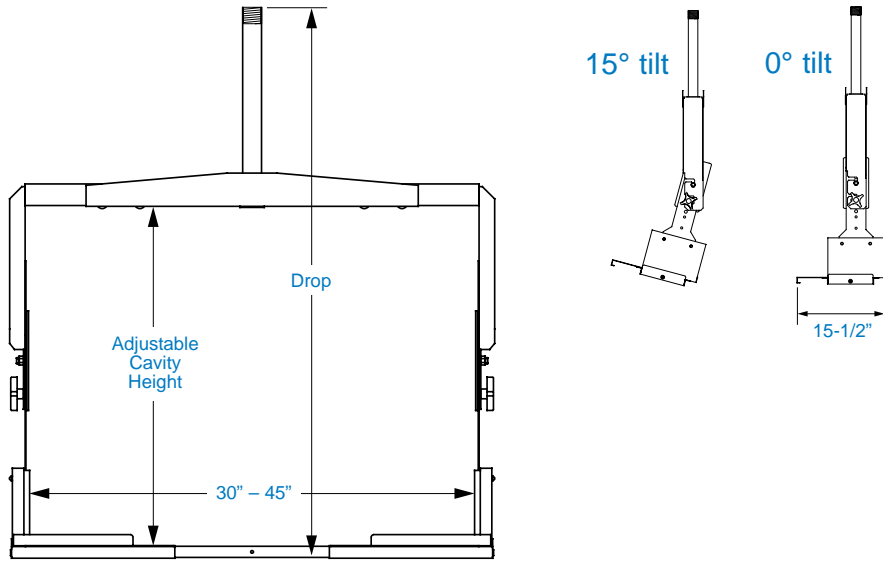


# LUCASEY<sup>®</sup> MOUNTING SYSTEMS

**ATLAS**<sup>™</sup>  
TELEVISION MOUNT

## ACM3045

500 LB LOAD CEILING MOUNT

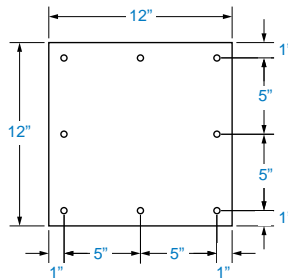


MODEL	PLATFORM WIDTH	PLATFORM DEPTH	LOAD LIMIT (lbs)	SWIVEL	TILT	DROP FROM CEILING	CAVITY HEIGHT	BLACK WRINKLE	SHIP. WT. (lbs)
ACM3045	30"-45"	15-1/2"	500	360°	0°-15°	46-1/2"-58-1/2"	24-1/2"-36-1/2"	•	70
ACM3045L	30"-45"	15-1/2"	500	360°	0°-15°	58-1/2"-70-1/2"	36-1/2"-48-1/2"	•	71

**NOTES:**

- Safety strap included. Order **ACM3045F Ceiling Flange** separately.
- Pipe: 1-1/2" I.D. x 18" schedule 40. Custom lengths can be ordered or changed on-site. Drop can be increased or decreased by substitution of the 18" pipe.
- See **Ceiling Mount Accessories** for special hardware and accessories.

**ATLAS**  
ACM3045F Ceiling Flange  
(sold separately)



**NOTES:**

- Accepts 1-1/2" I.D. standard thread schedule 40 pipe.
- (8) 7/16" diameter holes.
- Hardware not included.

**1-800-LUCASEY**

Protected under one or more of these or pending United States patent numbers: 3,291,432; 3,559,942; 3,724,798; DES.270,689; 4,613,109; 4,852,842; 4,878,645; DES.309,562; 4,973,023; 5,169,114; 5,255,884; 5,310,152; 5,522,576; 5,621,614; Re.35,677; DES.398,834; 5,826,384; 5,941,492; 5,964,068  
© 2000 LUCASEY MANUFACTURING CORPORATION, Oakland, California. All rights reserved.