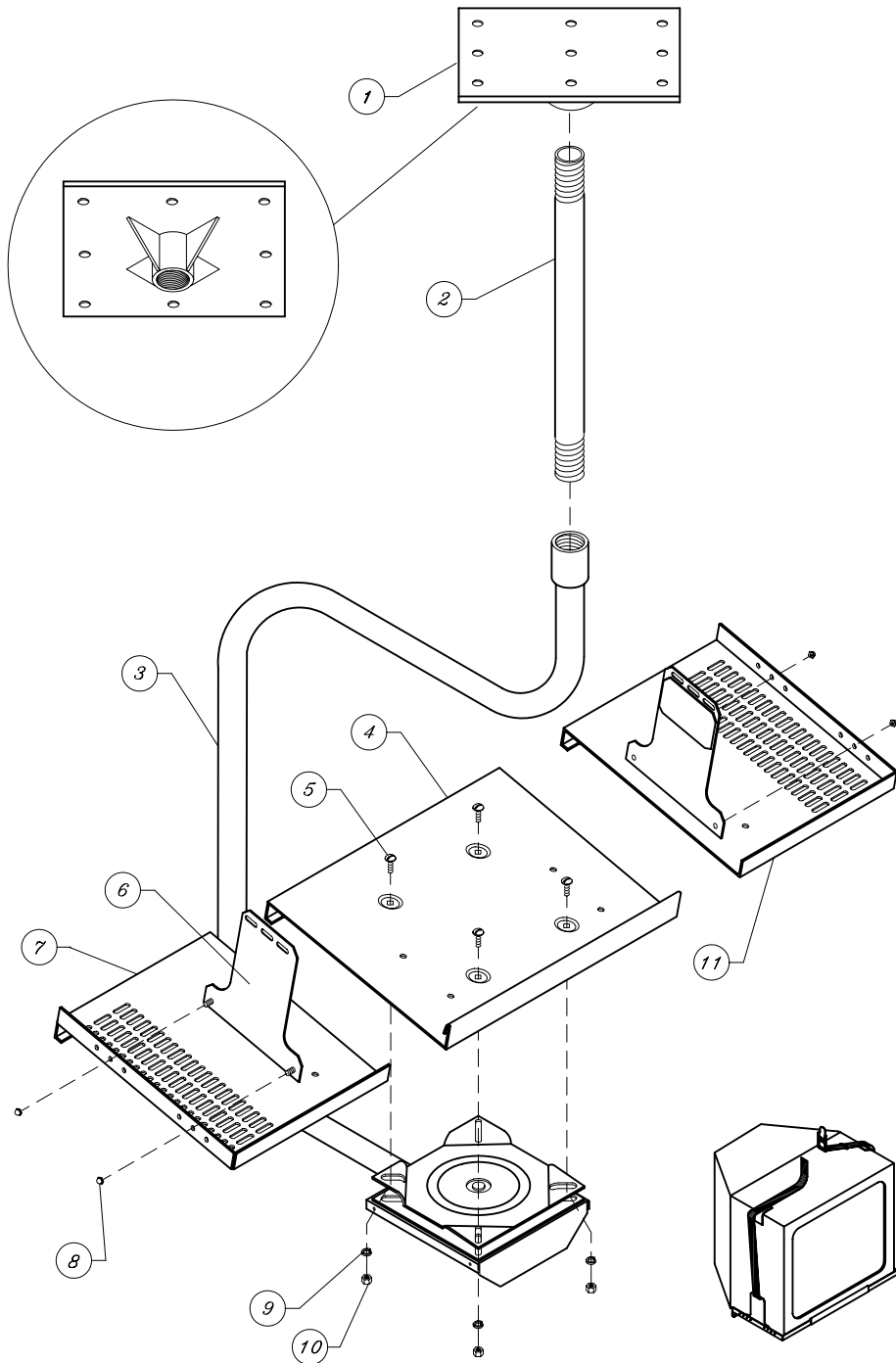


CCM Adjustable, Non-locking Ceiling Mounts

CCM1420 CCM2030 CCM2333



1. Screw extension pipe (#2) tightly into "C" arm (#3). Thread locking fluid (#12) is optional.
2. Apply thread locking fluid (#12) to threads and screw flange (#1) tightly into extension pipe (#2).
3. Position mount in desired location. Use flange as template for drilling into ceiling. If mount is to be installed in wood ceiling, drill eight holes and use wood screws to fasten. If mount is to be installed in concrete ceiling, drill four holes (alternate holes) and use concrete anchor bolts to fasten. Install anchor bolts as recommended by the anchor bolt manufacturer.
4. Twist upper half of swivel on mounting arm 45 degrees to permit easy access to bolt holes.
5. Place center plate on swivel, aligning holes in plate with bolt holes in upper half of swivel.
6. Insert four 1/4-20 x 1/2" carriage bolts (#5) through plate holes and bolt holes from top of plate. Place lock washers (#9) and 1/4-20 nuts on carriage bolts and tighten.
7. Insert bolts on adhesive plates (#6) into second and fifth holes in sides of side plates (#7 and #11). Secure adhesive plates to side plates with #10-24 acorn nuts (#8).
8. Slide side plates (#7 and #11) onto center plate (#4), slipping rear lip of side plates over rear lip of center plate and front lip of side plates under front lip of center plate.
9. Place monitor on plate assembly with front of monitor against front lip of plate assembly. Remove plastic covering from adhesive pads on adhesive plates and move side plates inward to contact sides of monitor. Press adhesive pads firmly against sides of monitor.
10. Center the center plate beneath the monitor, then secure side plates to center plate with two small carriage bolts and nuts (not shown) through holes and slots in back of plate assembly.
11. Attach monitor to side plates with fasteners appropriate to the underside of the monitor.
12. For additional stability, attach safety strap as instructed in safety strap instructions.