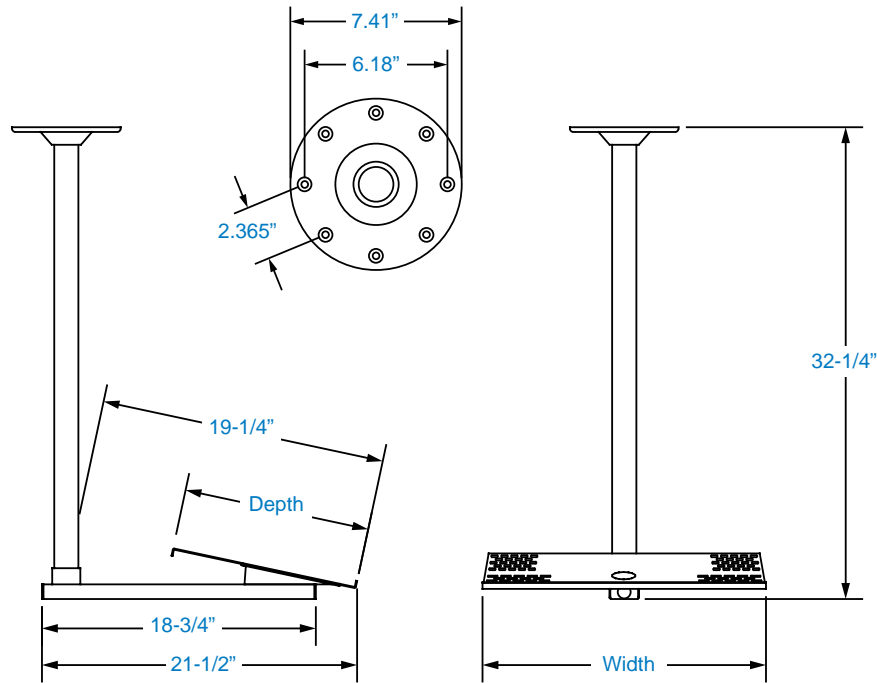




CTL1715 / CTL1721

NON-LOCKING AND SEMI-LOCKING CEILING MOUNTS



MODEL	PLATFORM WIDTH	PLATFORM DEPTH	LOAD LIMIT (lbs)	SWIVEL	TILT	BLACK WRINKLE	SHIP. WT. (lbs)	FAST SHIP
CTL1715N	15"	12"	75	360°	12°	•	19	
CTL1715S	15"	12"	75	360°	12°	•	19	
CTL1721N	21-1/2"	12-3/4"	75	360°	12°	•	20	•
CTL1721S	21-1/2"	12-3/4"	75	360°	12°	•	20	•

NOTES:

- Pipe: 1-1/4" I.D. x 30" schedule 40 (24" and custom lengths available). Drop can be increased or decreased by substitution of the 30" pipe.
- See [Ceiling Mount Accessories](#) for special hardware and accessories.

1-800-LUCASEY