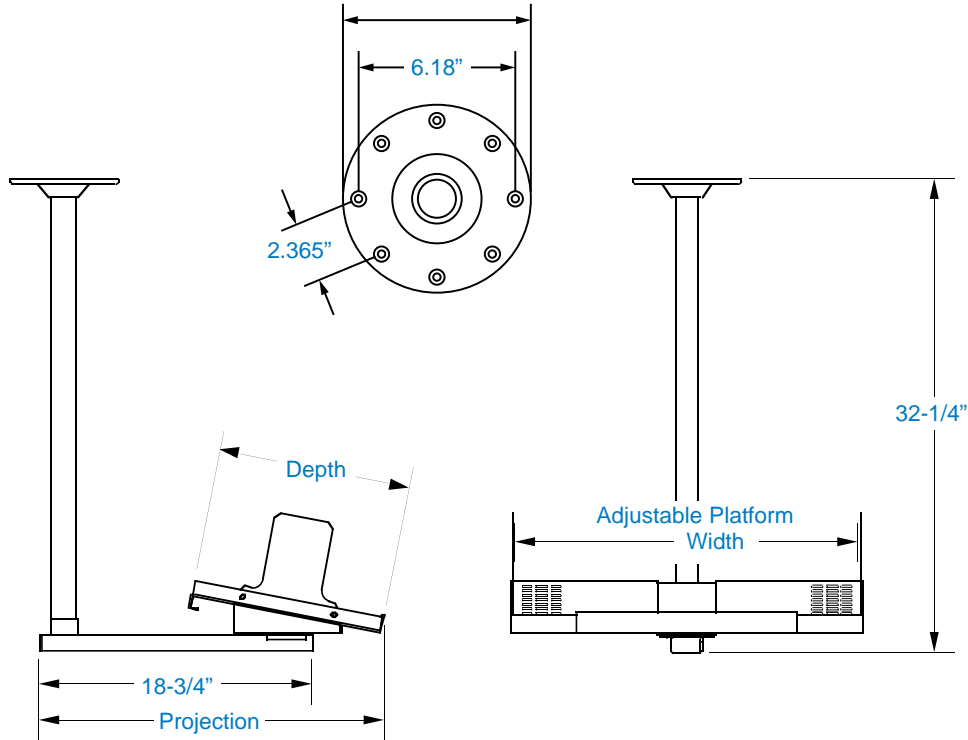




CTL2030 Series

ADJUSTABLE PLATFORM CEILING MOUNTS



MODEL	PLATFORM WIDTH	PLATFORM DEPTH	LOAD LIMIT (lbs)	SWIVEL	TILT	PROJECTION	DROP FROM CEILING	BLACK WRINKLE	SHIP. WT. (lbs)	FAST SHIP
CTL1014	10"-14"	11"	75	360°	12°	20"	32"	•	17	
CTL1420	14"-20"	11"	75	360°	12°	20"	32"	•	21	•
CTL2030	20"-30"	13"	75	*360°	12°	20"	32"	•	23	•

*25"-30" widths can restrict swivel to 90° and less.

NOTES:

- Adhesive grips for additional monitor stability.
- Pipe: 1-1/4" I.D. x 30" schedule 40 (24" and custom lengths available). Drop can be increased or decreased by substitution of the 30" pipe.
- Safety strap included.
- See [Ceiling Mount Accessories](#) for special hardware and accessories.

1-800-LUCASEY