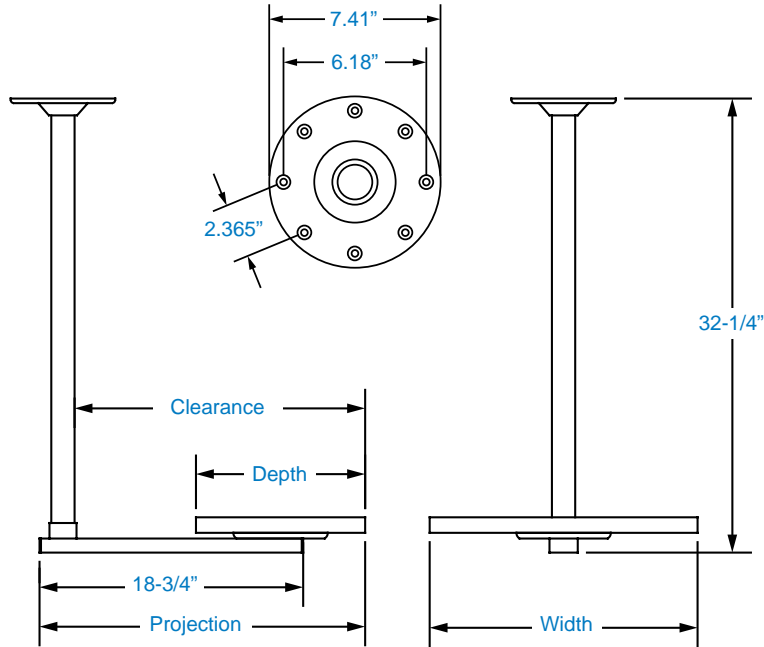




### CTL5500 Series

#### LOCKING CEILING MOUNT



MODEL	PLATFORM WIDTH	PLATFORM DEPTH	LOAD LIMIT (lbs)	RESTRICTABLE SWIVEL	TILT	PROJECTION	CLEARANCE	BLACK WRINKLE	SHIP. WT. (lbs)	FAST SHIP
CTL5500	19"	12"	75	360°	0°	23"	20-1/2"	•	22	•
CTL5501	15"	12"	75	360°	0°	23"	20-1/2"	•	21	•
CTL5502	23"	11"	75	360°	0°	22-1/2"	20"	•	23	•
CTL5503	22"	14"	75	360°	0°	24"	21-1/2"	•	27	•
CTL5505	18"	18-1/2"	75	*	0°	26-1/4"	23-3/4"	•	28	•
CTL5507	17"	12"	75	360°	0°	23"	20-1/2"	•	23	•
CTL5508	14"	11"	75	360°	0°	22-1/2"	20"	•	21	•
CTL5510	10"	12"	75	360°	0°	23"	20-1/2"	•	21	•
CTL5515	15"	15"	75	360°	0°	24-1/2"	22"	•	22	•
CTL5520	20"	9"	75	360°	0°	21-1/2"	19"	•	21	•

\*Degree of swivel may be restricted by some larger TV cabinets.

**NOTES:**

- Pipe: 1-1/4" I.D. x 30" schedule 40 (24" and custom lengths available). Drop can be increased or decreased by substitution of the 30" pipe.
- See [Ceiling Mount Accessories](#) for special hardware and accessories.

1-800-LUCASEY