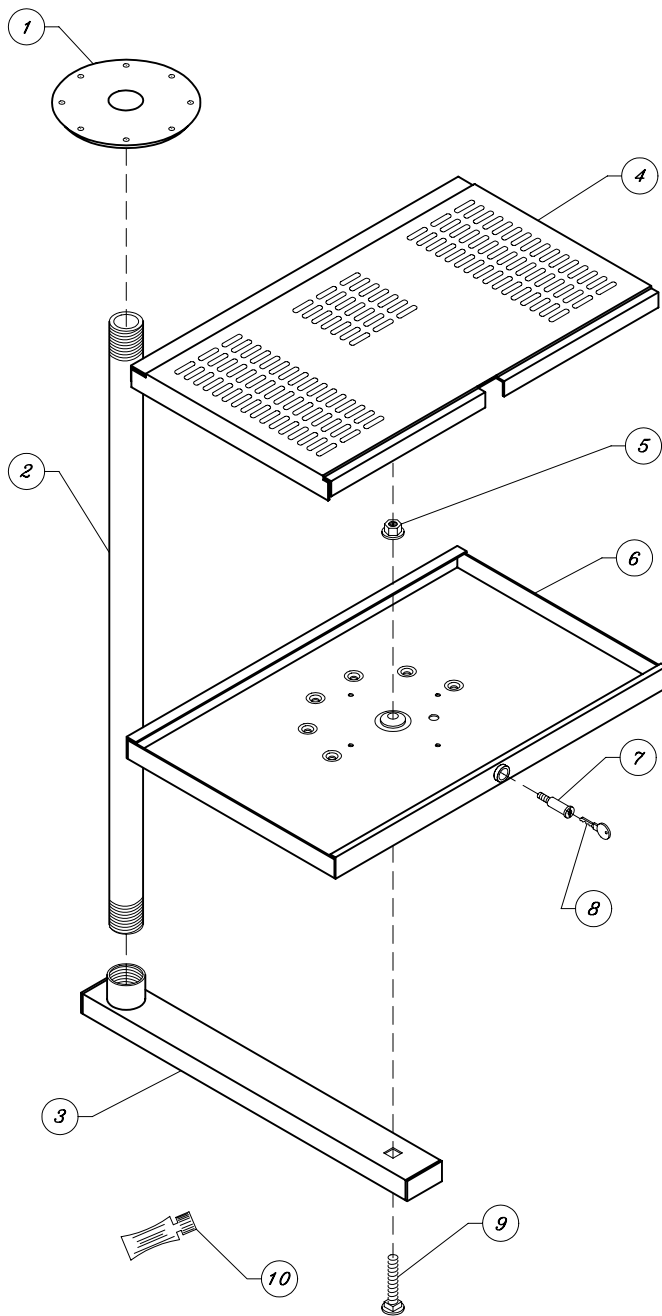


CTL 5500 Series Locking Ceiling Mounts



1. Apply thread locking agent to threaded ends of ceiling pipe (#2). Screw ceiling pipe into flange (#1) and mounting arm (#3) onto ceiling pipe.
2. Attach flange to ceiling using appropriate fasteners. (Use wood screws for installation into wood ceiling joists. Use concrete anchor bolts for installation into concrete ceilings; install anchor bolts as recommended by the anchor bolt manufacturer.)
3. Place lower plate (#6) on mounting arm, aligning hole in middle of plate with hole in mounting arm.
4. Insert carriage bolt (#9) through mounting arm and lower plate.
5. Turn lower plate until protrusion on mounting arm slips into one of the four holes in the swivel plate on the underside of the lower plate.
6. Tighten whiz nut.
7. Invert monitor. Position inverted upper plate (#4) on bottom of monitor with lock slot facing front of monitor. Attach monitor to upper plate with fasteners appropriate to the underside of the monitor.
8. Turn monitor right side up. Place monitor and upper plate on lower plate, guiding rear of upper plate beneath lip at back of lower plate. Slip upper plate into lower plate and pull forward until front of upper plate meets front of lower plate.
9. Place key (#8) in lock (#7) and insert lock into lock retainer. Turn key clockwise until lock is completely screwed into lock retainer, then turn key back (counterclockwise) until key is vertical. Remove key.