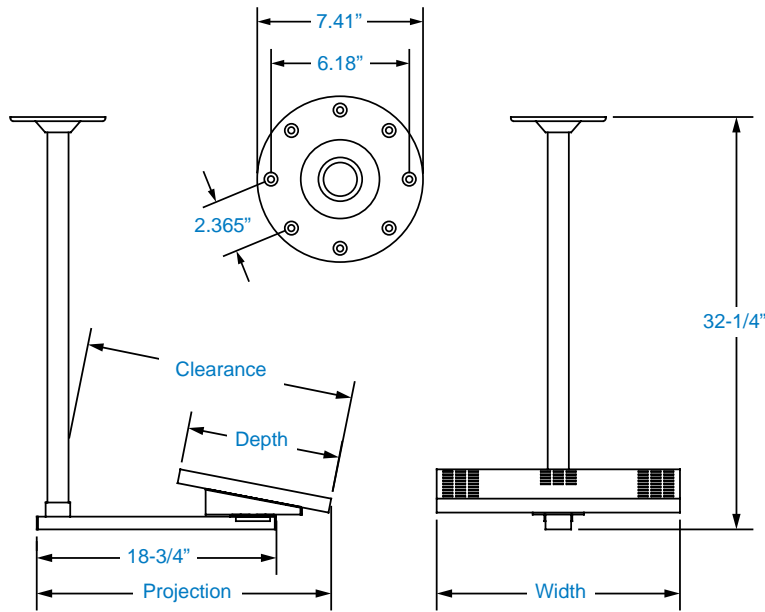




CTL6100 Series

LOCKING CEILING MOUNT WITH TILT



MODEL	PLATFORM WIDTH	PLATFORM DEPTH	LOAD LIMIT (lbs)	SWIVEL	TILT	PROJECTION	CLEARANCE	BLACK WRINKLE	SHIP. WT. (lbs)	FAST SHIP
CTL6100	19"	12"	75	360°	12°	23"	20-5/8"	•	22	•
CTL6101	15"	12"	75	360°	12°	23"	20-5/8"	•	21	•
CTL6102	23"	11"	75	360°	12°	22-1/2"	20-1/8"	•	23	•
CTL6103	22"	14"	75	360°	12°	24"	21-5/8"	•	27	•
CTL6105	18"	18-1/2"	75	*	12°	26-1/4"	23-7/8"	•	28	•
CTL6107	17"	12"	75	360°	12°	23"	20-5/8"	•	23	•
CTL6108	14"	11"	75	360°	12°	22-1/2"	20-1/8"	•	21	•
CTL6110	10"	12"	75	360°	12°	23"	20-5/8"	•	21	•
CTL6112	12"	11"	75	360°	12°	22-1/2"	20-1/8"	•	21	•
CTL6115	15"	15"	75	360°	12°	24-1/2"	22-1/8"	•	22	•
CTL6120	20"	9"	75	360°	12°	21-1/2"	18-7/8"	•	21	•

*Degree of swivel may be restricted by some larger TV cabinets.

NOTES:

- Pipe: 1-1/4" I.D. x 30" schedule 40 (24" and custom lengths available). Drop can be increased or decreased by substitution of the 30" pipe.
- See [Ceiling Mount Accessories](#) for special hardware and accessories.

1-800-LUCASEY