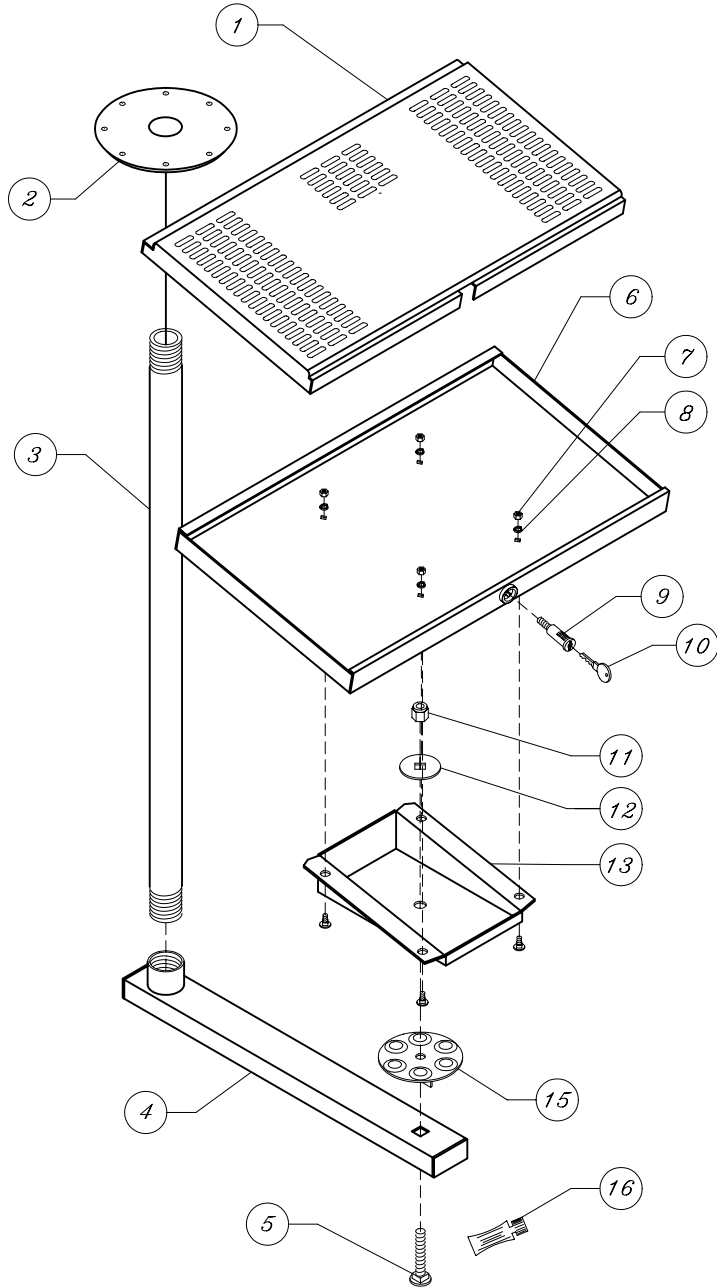


# CTL6100 Series Locking Ceiling Mounts



1. Attach swivel plate (#15) and tilt plate (#13) to mounting arm (#4) with 1/2-13 x 2-1/2 inch carriage bolt (#5), 2-1/8 inch washer (#12), and 1/2-13 nylon lock nut (#11). Insert carriage bolt through bottom of mounting arm.
2. Place lower plate (#6) on tilt plate, aligning holes in lower plate with holes in tilt plate.
3. Secure lower plate to tilt plate with four 1/4-20 x 1/2 inch carriage bolts (#14), lock washers (#8), and 1/4-20 nuts (#7). Insert carriage bolts through bottom of tilt plate.
4. Invert monitor. Position inverted upper plate (#1) on bottom of monitor with lock slot facing front of monitor. Attach monitor to upper plate with fasteners appropriate to the underside of the monitor.
5. Apply thread locking fluid (#16) to threaded ends of ceiling pipe (#3). Screw ceiling pipe into flange (#2) and mounting arm (#4) onto ceiling pipe.
6. Attach flange to ceiling using appropriate fasteners. (Use wood screws for installation into wood ceiling joists. Use concrete anchor bolts for installation into concrete ceilings; install anchor bolts as recommended by the anchor bolt manufacturer.)
7. Turn monitor right side up. Place monitor and upper plate on lower plate (#6), guiding rear of upper plate beneath lip at back of lower plate. Slip upper plate into lower plate and pull forward until front of upper plate meets front of lower plate.
8. Place key (#10) in lock (#9) and insert lock into lock.

Protected under one or more of these U.S. Patent numbers: 3,291,432 3,559,942 3,724,798 DES.270,689 4,613,109 4,878,645 4,852,842 DES.309,562 4,973,023 5,169,114 5,255,884 5,310,152 5,522,576 5,621,614 Re.35,677 DES.398,834 5,826,384 5,941,492 5,964,068 6,060,661 6,102,398 6,158,704