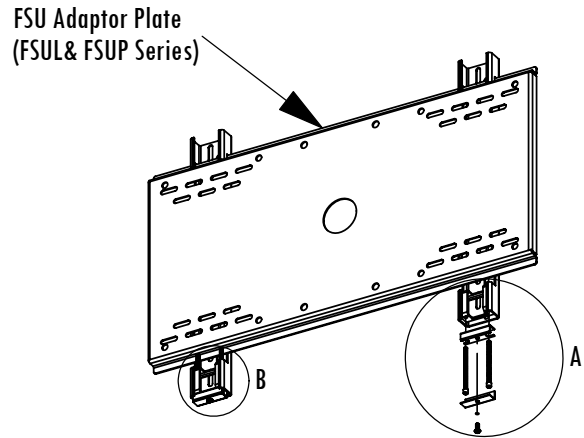
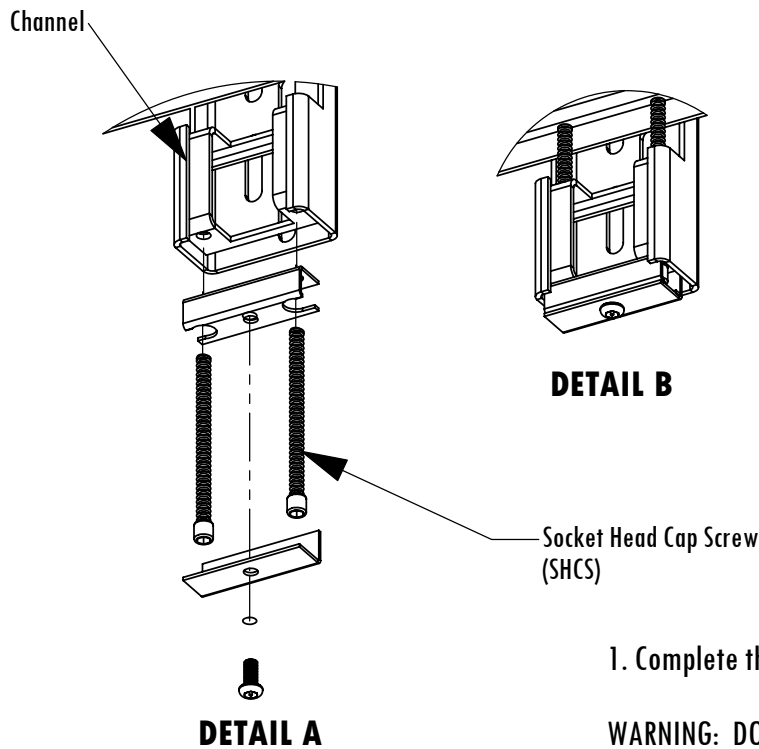


# FSUSK/FSUSKW Security Kits



1. Complete the installation of the FSUL or FSUP Series.

**WARNING: DO NOT** move the monitor while the screws are removed.

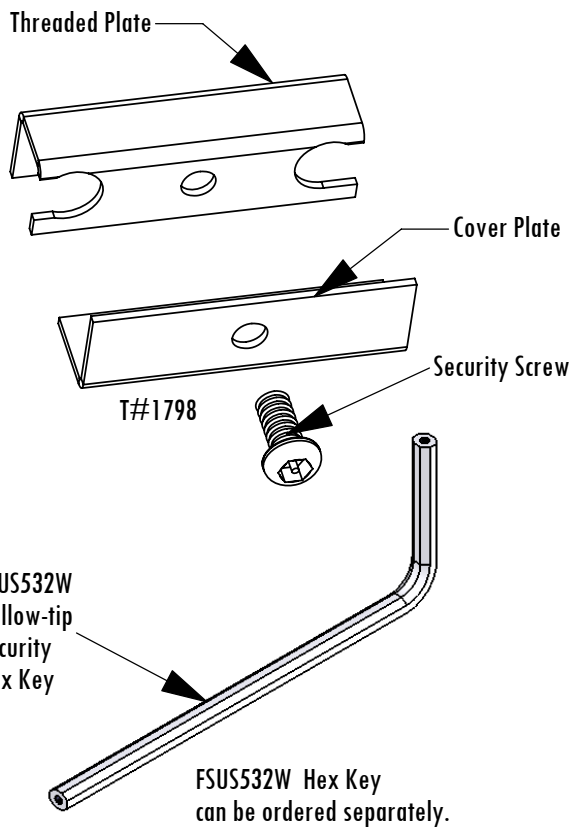
2. Remove the Socket Head Cap Screws (SHCS) from the Channel on only one side of the FSU Adaptor Plate.

3. See **DETAIL A**.

Insert the Threaded Plate and re-install the two SHCSs. Tighten the SHCSs until they make contact with the FSU Adaptor Plate. **Caution: Do not overtighten the SHCSs.**

4. See **DETAIL B**.

Place the Cover Plate over the Threaded Plate. Insert the Security Screw and tighten it against the Threaded Plate, with the hollow-tip security hex key.



### FSUSK Parts List:

- 1 Threaded Plate
- 1 Cover Plate
- 1 Security Screw (10-24x3/8" Button Pin Head)

### FSUSKW Parts List:

- 1 Threaded Plate
- 1 Cover Plate
- 1 Security Screw (10-24x3/8" Button Pin Head)
- 1 FSUS532W Hollow-tip Security Hex Key, (5/32")