

FSUSK Security Kit for FSU Mounts

Follow the instructions provided for installing the FSU mount completely before installing the FSUSK security kit.

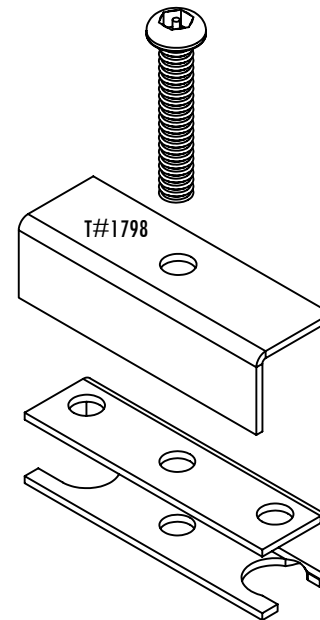
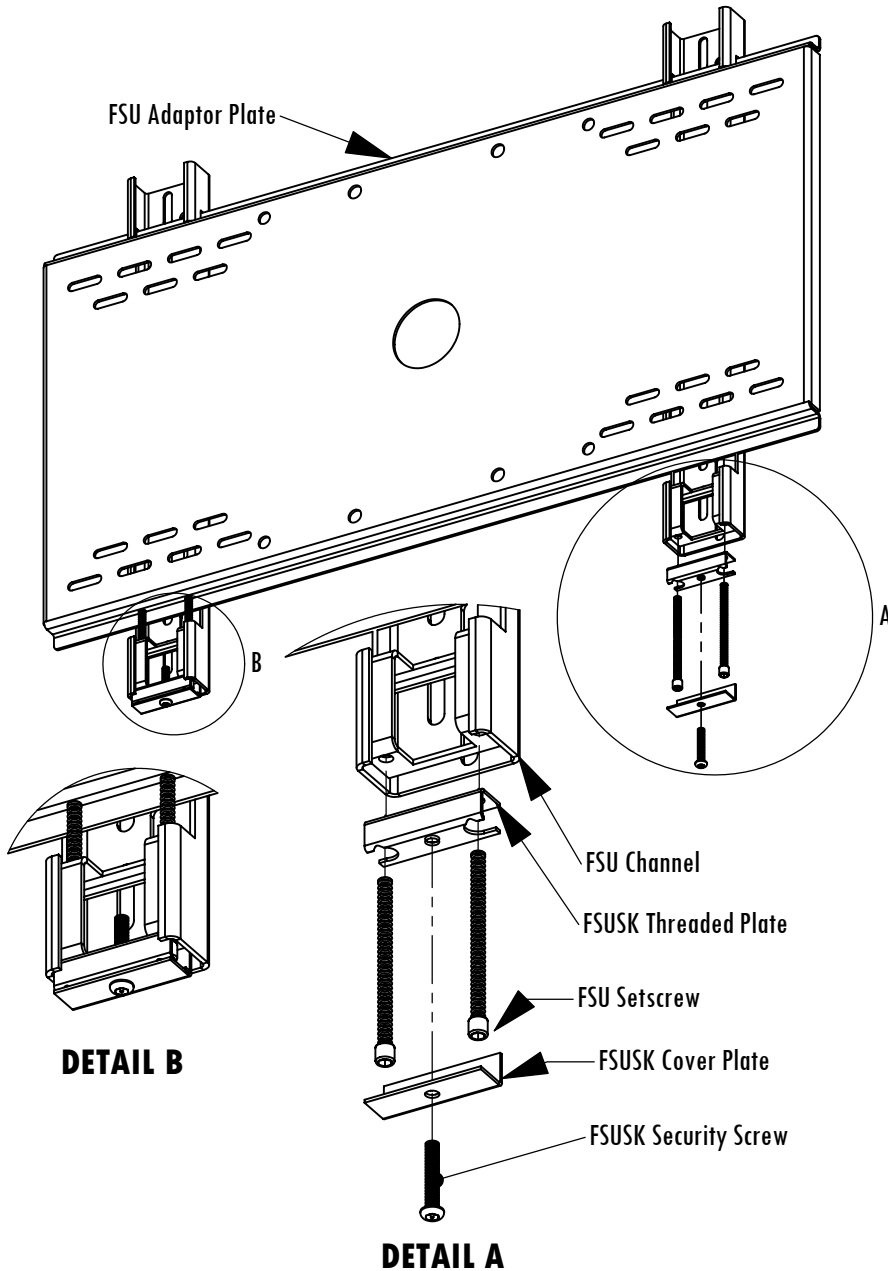
1. Remove the FSU Setscrews from the FSU Channel on one side only of the FSU Adaptor Plate.

Caution: While the setscrews are removed do not move the monitor to prevent from becoming dislodged from the mount.

2. Insert the FSUSK Threaded Plate and replace the two FSU setscrews. Tighten the setscrews until they make contact with the FSU Adaptor Plate. See DETAIL A

Caution: Do not overtighten the FSU Setscrews.

3. Insert the FSUSK Cover Plate and secure with the FSUSK Security Screw using the FSUSKW Security Tool. Tighten the FSUSK Security Screw until the FSUSK Cover Plate is tight against the FSUSK Threaded Plate. See DETAIL B (FSUSKW Security Tool can be ordered separately)



FSUSK Contents Include:

- FSUSK Security Screw 1
- FSUSK Cover Plate 1
- FSUSK Threaded Plate 1

Protected under one or more of these U.S. Patent numbers: 3,291,432; 3,559,942; 3,724,798; DES.270,689; 4,613,109; 4,878,645; 4,852,842; DES.309,5024; 973,023; 5,169,114; 5,255,884; 5,310,152; 5,522,576; 5,621,014; Re.35,677; DES.398,834; 5,826,384; 5,941,492; 5,964,068; 6,060,661; 6,102,398; 6,158,704; 6,454,110B1; 6,761,270B2; 6,806,425B1