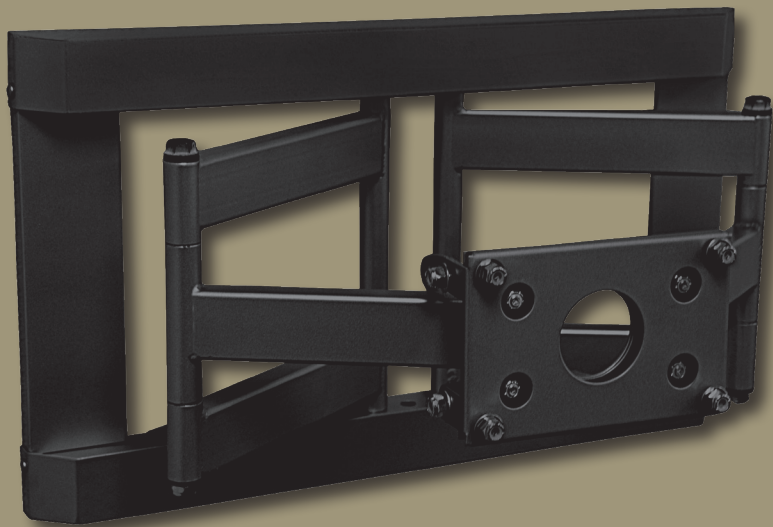




FSWADS2T

DUAL ARM ARTICULATING WALL MOUNT FOR FLAT SCREENS UP TO 60"



Heavy duty double stud wall mount with dual arm articulation allows the flat screen to be positioned with the best possible viewing angle. Use with FSUL adapters (sold separately). Allows monitor to be pivoted from left to right and tilted up to 20 degrees.

- Carton Dimensions:
21" L x 13" W x 3-1/2" H
- Projection from wall: 3"-16"
- Gloss Black or Silver finish

Load Limit	Swivel	Tilt	Ship. Wt.
125 lbs	180°	0°-20°	16.5 lbs

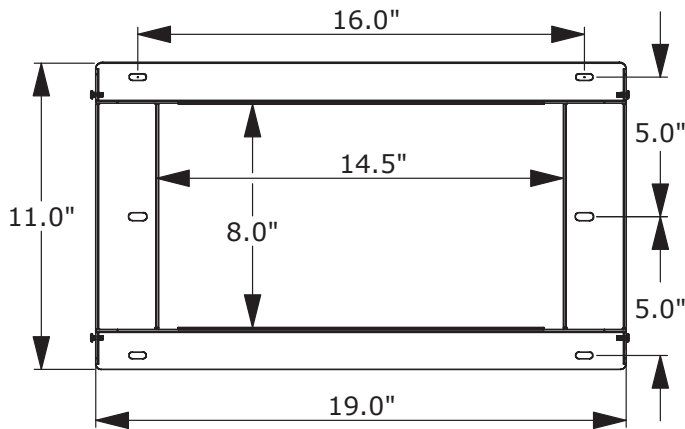

LUCASEY[®]
 MOUNTING SYSTEMS
The Installers Choice

2744 East Eleventh Street
 Oakland, CA 94601
 1•800•LUCASEY or 510•534•1435
www.lucasey.com

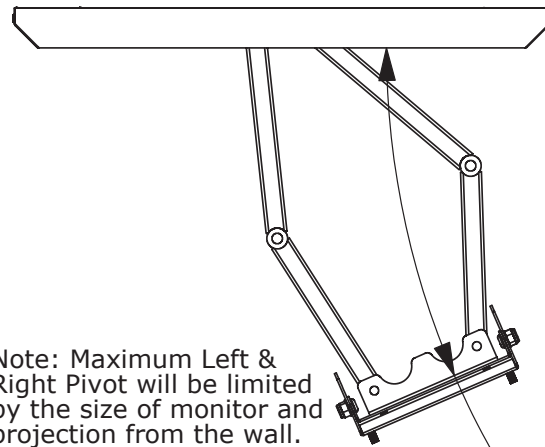
FSWADS2T

Product Data Sheet

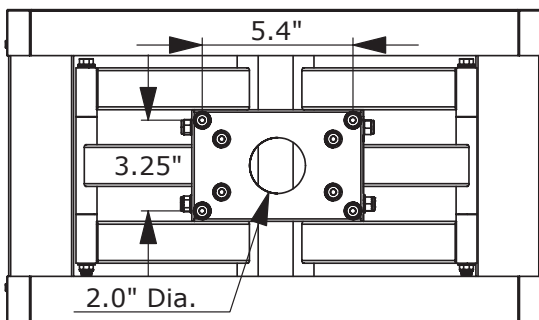
Wall Plate



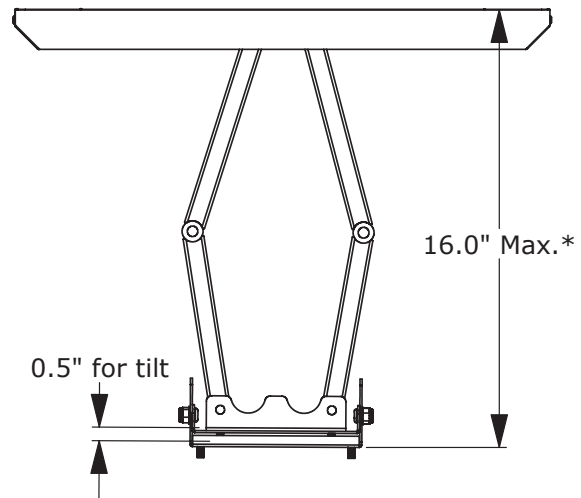
Top View



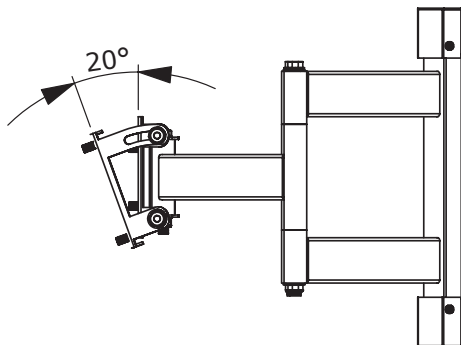
Front View



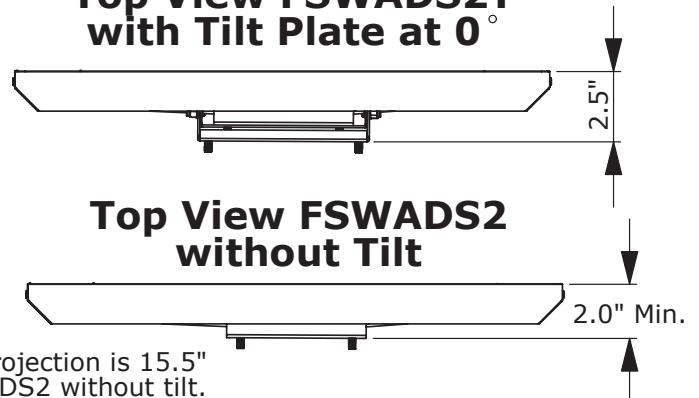
Top View



Side View with Tilt



Top View FSWADS2T with Tilt Plate at 0°



* Max. Projection is 15.5" for FSWADS2 without tilt.

Visit lucasey.com for full product line details and technical info

Protected under one or more of these U.S. patent numbers: 3,291,432; 3,559,942; 3,724,798; DES.270,689; 4,613,109; 4,852,842; 4,878,645; DES.309,562; 4,973,023; DES.322,210; 5,169,114; 5,255,884; 5,310,152; 5,522,576; 5,621,614; Re.35,677; DES.398,834; 5,826,384; 5,941,492; 5,964,068; 6,060,661; 6,102,348; 6,158,704; 6,454,116B1; 6,761,276B2; 6,806,425B1; 6,926,244B1; 6,964,399B1; 6,988,698B2; 6,988,714B2.

© 2009 LUCASEY MANUFACTURING CORPORATION, Oakland, California. All rights reserved.