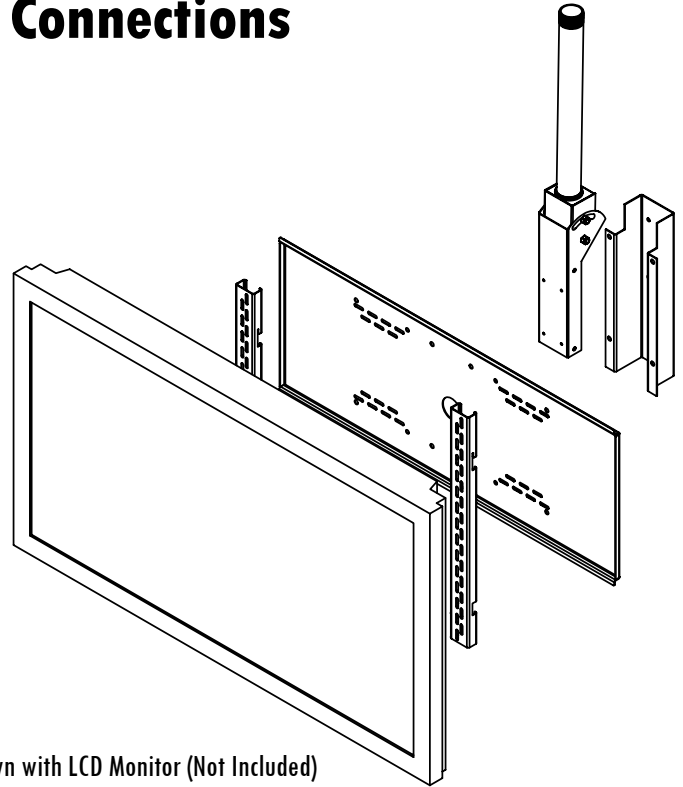


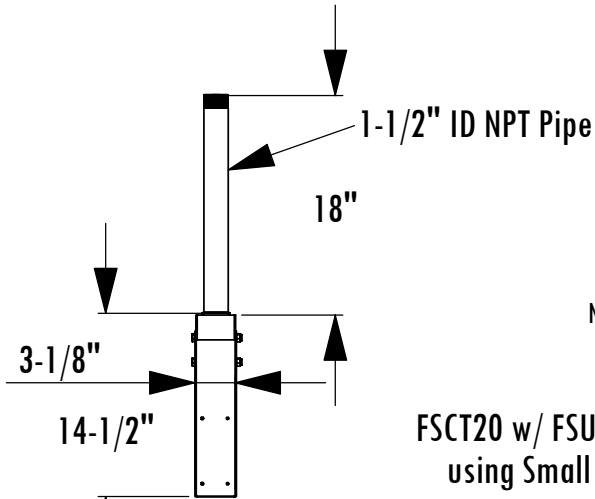
FSCT20 Dimensions

Flat Screen Ceiling Mount with Hidden Connections

Model	Load Limit (lbs.)	Swivel	Tilt	Drop from ceiling	Ship. Wt. (lbs.)
FSCT20	300	360°	0-20°	36-1/2" - 38-3/4"	12

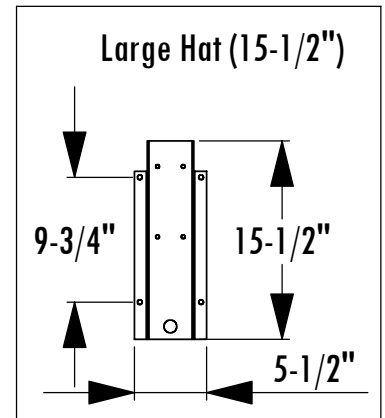
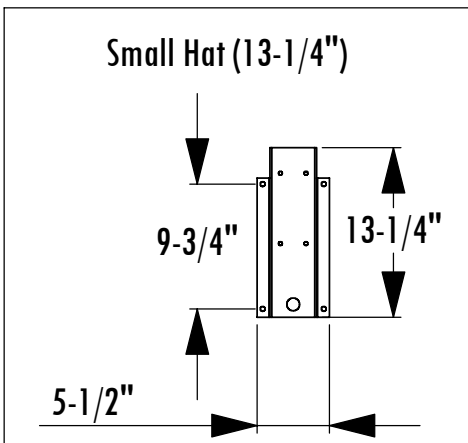
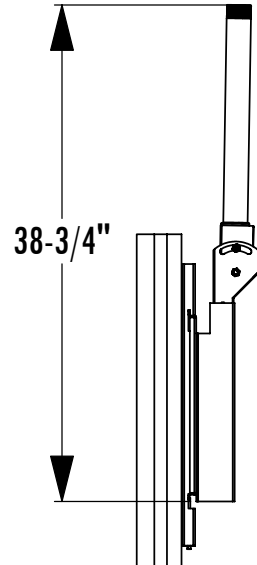
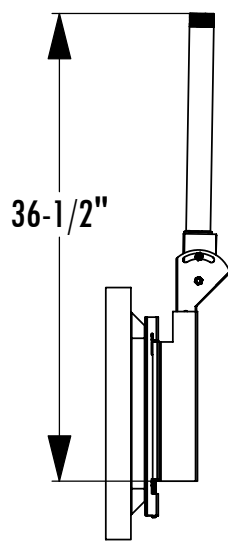


Note: Shown with LCD Monitor (Not Included)
FSUL Adaptor Sold Separately



FSCT20 w/ FSUL2014 using Small Hat

FSCT20 w/ FSUL2720 or FSUL3520 using Large Hat



1-800-LUCASEY • 1-510-534-1435

©2005 Lucasey Manufacturing Corporation, Oakland, California

