

FSCT20

Flat Screen Ceiling Mount with 0° to 20° Tilt

The FSCT20 Flat Screen Ceiling Mount is designed to suspend a monitor from a ceiling flange with a 1-1/2" I.D. coupling mounted to structure in the ceiling. (ceiling flange is sold separately)

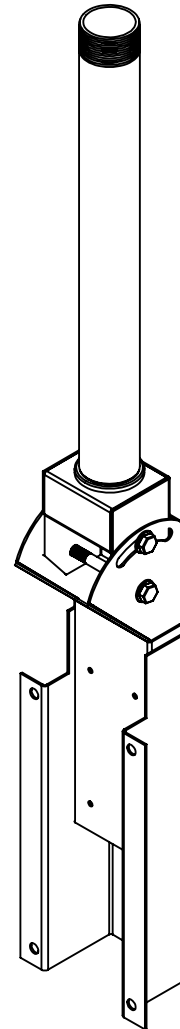
The FSCT20 needs to be sold with an appropriate FSU, Universal Flat Screen Adaptor, FSAV, VESA® Flat Screen Adaptor or an FSA, Model Specific Flat Screen Adaptor. (adaptors are sold separately)

The monitor can be mounted in either portrait or landscape viewing modes and tilted up to 20° for the optimal viewing angle.

The FSCT20 is made to work in conjunction with the CMAH, ceiling mount One-Man hoist accessory. (hoist and hoist housings are sold separately)

Our mounts are tested at four times the rated load limit to ensure that they are more than strong enough to hold the flat screen under the designed load limit.

When dropping the monitor more than 36" from the ceiling flange, we recommend using a stabilizer kit to prevent the pipe from being able to move from side to side. (CMATA15 stabilizer kit is sold separately.)



Important! Please read all warnings and cautions before installing the mount.

Caution: Improper installation of this ceiling mount may void the warranty on your monitor.

Caution: Ceiling attachment should be performed by qualified installers only, using construction methods prescribed by authorized architects or engineers that comply to all applicable codes and standards.

The maximum weight of each monitor to be installed on the FSCT20 is 200 Lbs. (90.7 Kg.)

Inspect all parts to make sure there is no shipping damage. Do not install if any parts are damaged.

Please call 1-800-LUCASEY or 1-510-534-1435 if you have any questions about this installation.

Protected under one or more of these U.S. Patent numbers: 3,291,432; 3,559,942; 3,724,798; DE.270,689; 4,613,109; 4,878,646; 4,852,842; DE.309,562,497; 5,023,516; 5,169,114; 5,255,884; 5,310,132; 5,522,576; 5,621,614; Re.35,677; DE.398,834; 5,826,384; 5,941,499; 5,944,088; 6,060,661; 6,102,398; 6,158,704; 6,454,118; 6,761,276; 6,826,428; 6,806,428

WARNING: Improper installation can result in serious personal injury. It is the responsibility of the installer to ensure that all safety precautions are taken during the installation and that all safety features of the mount are properly utilized.

WARNING: The structure to which the mount is attached needs to be capable of supporting five times the stated load limit. Additional reinforcement of the structure to which the ceiling flange is attached may be necessary and a certified architect or engineer is needed to make this determination.

WARNING: Take into consideration the combined weight of the mount, the monitor and any auxiliary equipment when determining the total load on the ceiling and mount.

WARNING: Do not place your fingers between movable parts on the FSCT20 mount. The FSCT20 Ceiling Mount Bracket Assembly and Flat Screen Mounting Plates, when adjusting the tilt or putting the monitor in place, create pinch points that can cause injury.

WARNING: Make sure that the screws used to attach the monitor to the mount are the appropriate size and length. An assortment of monitor attaching screws is provided for convenience. The appropriate screws to use for mounting the monitor are determined by the monitor manufacturer. Failure to use the screws recommended by the monitor manufacturer can result in the monitor dropping from the mount and/or damage to the electronic components inside the monitor.

WARNING: Use the thread locking agent and setscrews provided to prevent the pipe from coming unscrewed. Failure to use either the thread locking agent or the set screws can result, with continued swivelling of the monitor on the threads of the pipe, in the pipe coming unscrewed from the ceiling flange and dropping the monitor. The monitor mount assembly coming unscrewed from the pipe unintentionally can cause injury.

Table of Contents

Page 1 ... Title Page & Product Description
 Page 2 ... Warnings, Item List & Tools Required
 Page 3 ... Dimensional Drawings
 Page 4 ... Installation Instructions for FSCT20 Ceiling Bracket
 Page 5 ... Installation Instructions for Monitor Attachment
 Page 6 ... Tilt Adjustment, Monitor Removal & Warranty

Tools Required

- 1/8" Hex Wrench
- 3/4" Box Wrench or Socket Driver
- 9/16" Box Wrench or Socket Driver
- 1/2" Box Wrench or Socket Driver
- Pipe or Strap Wrench for 1-1/2" I.D. Pipe
- Phillips Screw Driver

Item List

- 1 ... FSCT20 Housing
- 1 ... FSCT20 Hat
- 1 ... 1-1/2" I.D. NPT x 18" Pipe

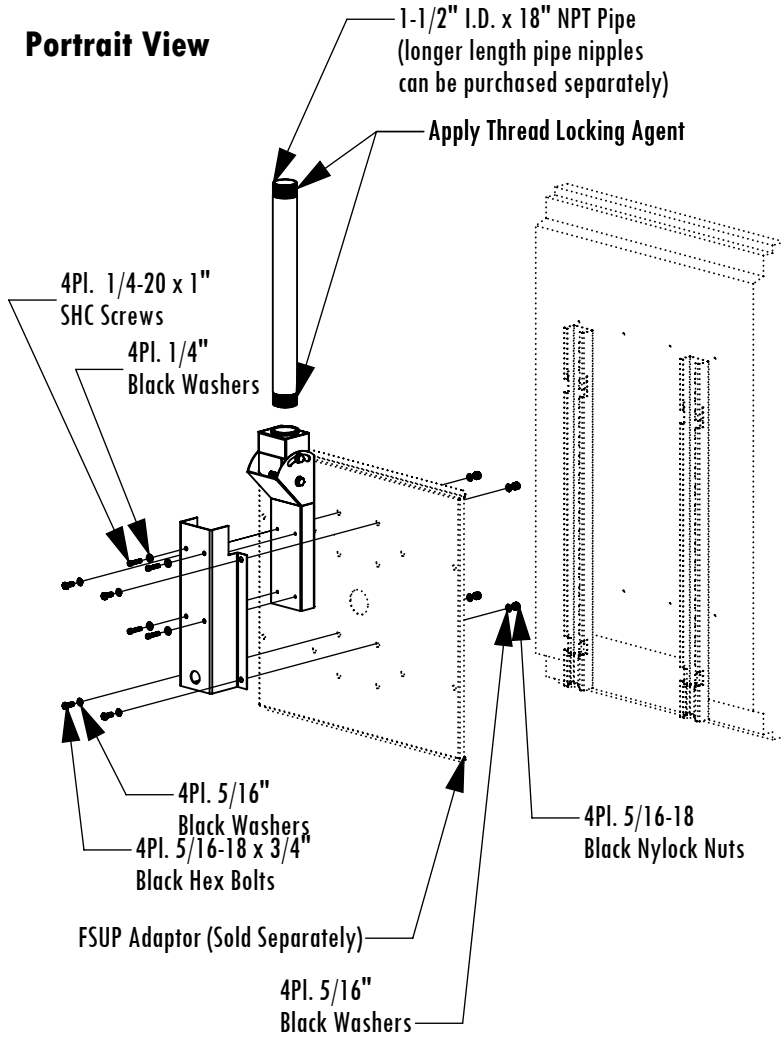
Assembly Hardware:

- 2 ... 3/8-16 x 4" Hex Bolt (Black)
- 4 ... 3/8" Flat Washers (Black)
- 2 ... 3/8" Nylock Nuts (Black)

Installation Hardware Kit:

- 4 ... 1/4-20 x 1" Socket Head Cap Screws (Black)
- 8 ... 1/4" Flat Washers (Black)
- 4 ... 5/16-18 x 3/4" Hex Bolts (Black)
- 4 ... 5/16" Flat Washers (Black)
- 4 ... 5/16-18 Nylock Nuts (Black)
- 1 ... Permabond HM-128 1/2ml tube
- 2 ... 1/4-20 x 3/8" Setscrews

Portrait View



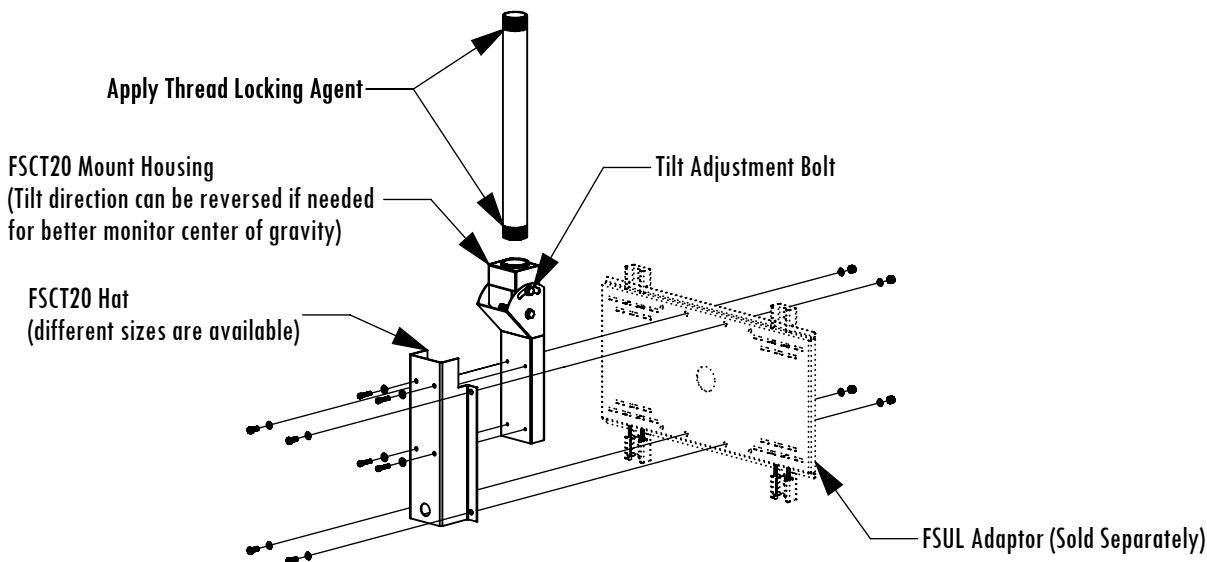
Caution: Ceiling attachment should be performed by qualified installers only, using construction methods prescribed by authorized architects or engineers that comply to all applicable codes and standards.

Ceiling mounting hardware and flanges are sold separately. See <http://www.lucasey.com> for details and drawings for all mount accessories.

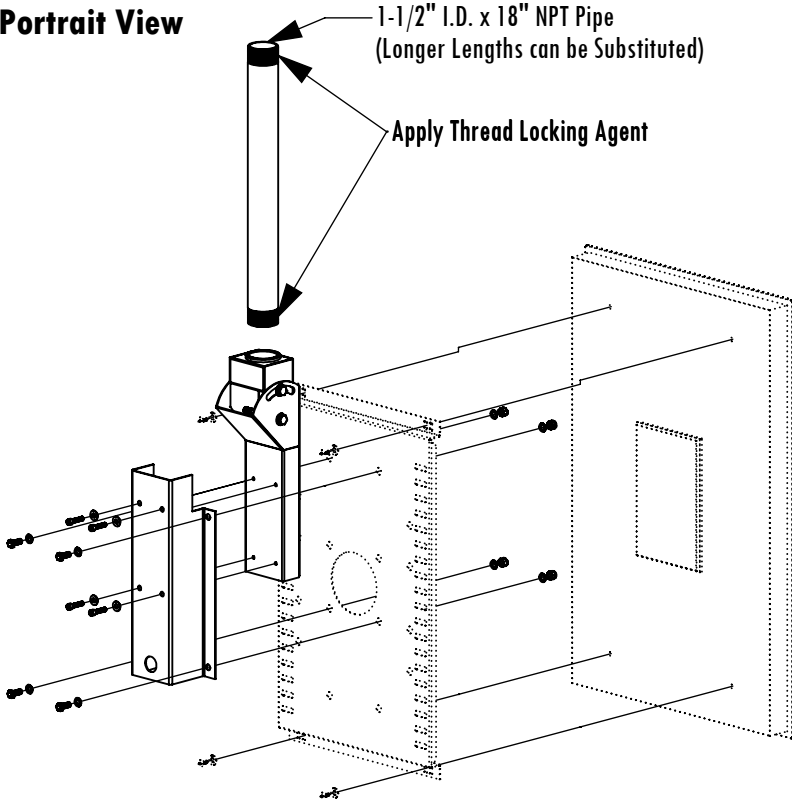
**Portrait or Landscape View
Typical Universal Adaptor Installation**

1. After attaching the Ceiling Flange (Sold Separately) to the Ceiling, apply thread locking agent to the pipe threads and screw the 1-1/2" I.D. NPT pipe into the Ceiling Flange.
2. Attach the FSCT20 Hat to FSCT20 Mount Housing using the provided 1/4-20x1" SHC Screws and 1/4" Washers.
3. Attach the assembly from step 1 to the Universal Adaptor Plate (Sold Separately) using the provided 5/16-18x3/4" Hex Bolts, 5/16" Washers and 5/16" Nylock Nuts.
4. Apply Thread Locking Agent to the 1-1/2" I.D. NPT Pipe and screw the assembly from step 2 onto the pipe.
5. Follow the Universal Adaptor instructions to attach the monitor to the Universal Adaptor Rails.
6. Carefully raise the monitor with attached rails to the Universal Adaptor Plate and tilt back to slip the top of the onto the plate. Use at least two people to raise the monitor and if necessary a manlift to raise the monitor up to the level of the mount .

Landscape View



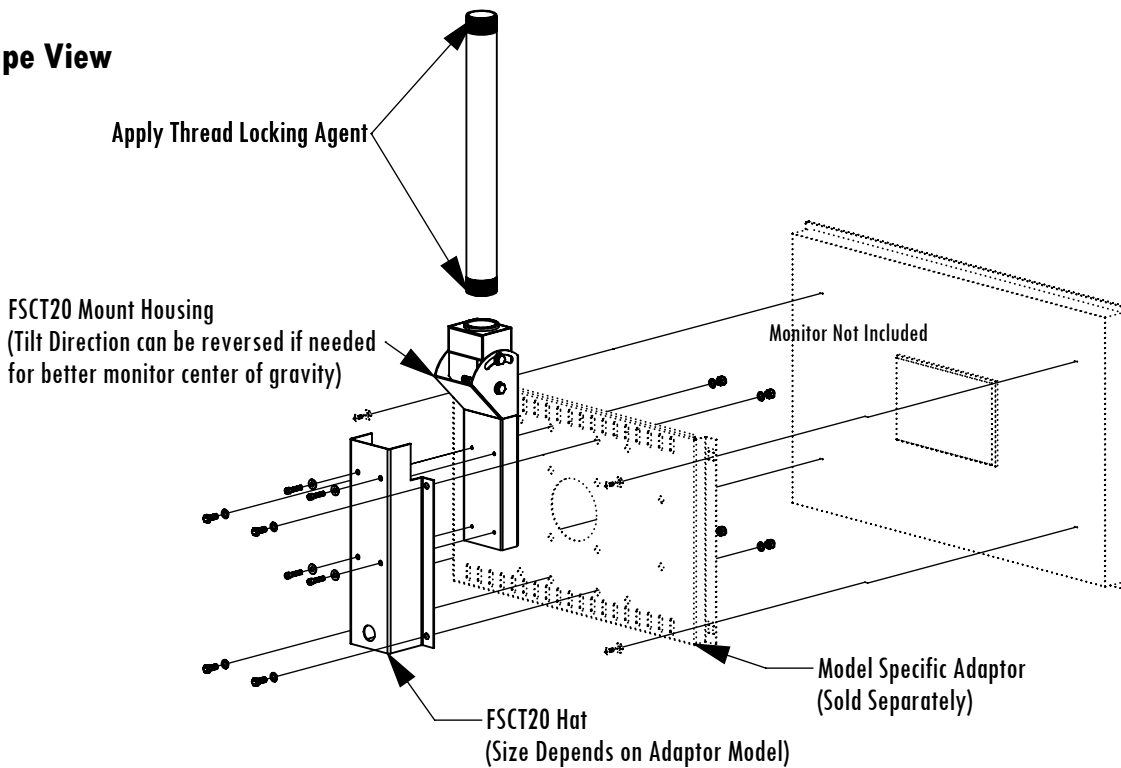
Portrait View



**Portrait or Landscape View
Typical Model Specific Adaptor Installation**

1. Attach the FSCT20 Hat to the Model Specific Adaptor using the provided 5/16-18x3/4" Hex Bolts, 5/16" Washers and 5/16" Nylock Nuts.
2. Attach the Model Specific Adaptor to the monitor following the instructions provided with that adaptor.
3. Apply Thread Locking Agent to the 1-1/2" I.D. NPT Pipe and screw the FSCT20 Mount Housing onto the pipe.
4. Carefully raise the assembly from step 2 and slip the FSCT20 Hat over the FSCT20 Mount Housing aligning the holes for the attaching screws.
5. Attach the FSCT20 Hat to FSCT20 Mount Housing using the provided 1/4-20x1" SHC Screws and 1/4" Washers.

Landscape View



Protected under one or more of these U.S. Patent numbers: 3,291,432, 3,559,942, 3,724,798, DE.270,689, 4,613,109, 4,878,645, 4,852,842, 4,852,842, DE.309,562,497,3,023, 5,169,114, 5,255,884, 5,310,132, 5,522,576, 5,621,614, Re.35,677, DE.398,834, 5,826,384, 5,941,499, 5,944,088, 6,060,461, 6,102,398, 6,158,704, 6,454,118, 6,761,276, 6,806,028, 6,806,028

