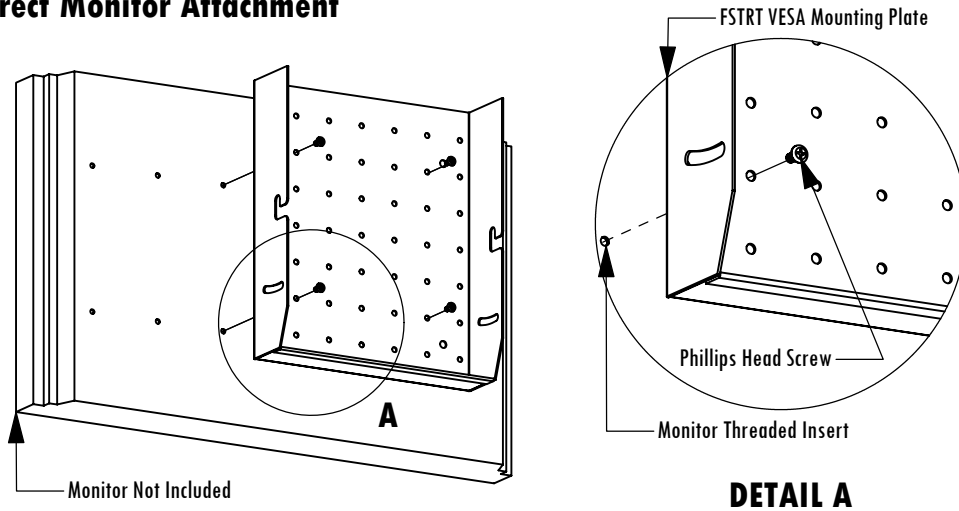


# FSTRT Flat Screen 0° - 15° Tilt Truss Mount

## Direct Monitor Attachment



Determine which type of monitor attaching hardware is required for the monitor as specified by the monitor manufacturer. Various sizes of monitor attaching screws are provided for convenience (See the Hardware List below) If mounting the monitor directly to the FSTRT VESA Mounting Plate, follow the Direct Monitor Attachment instructions. If mounting the monitor using an Adaptor Plate, follow the Monitor Attachment with Adaptor Plate instructions.

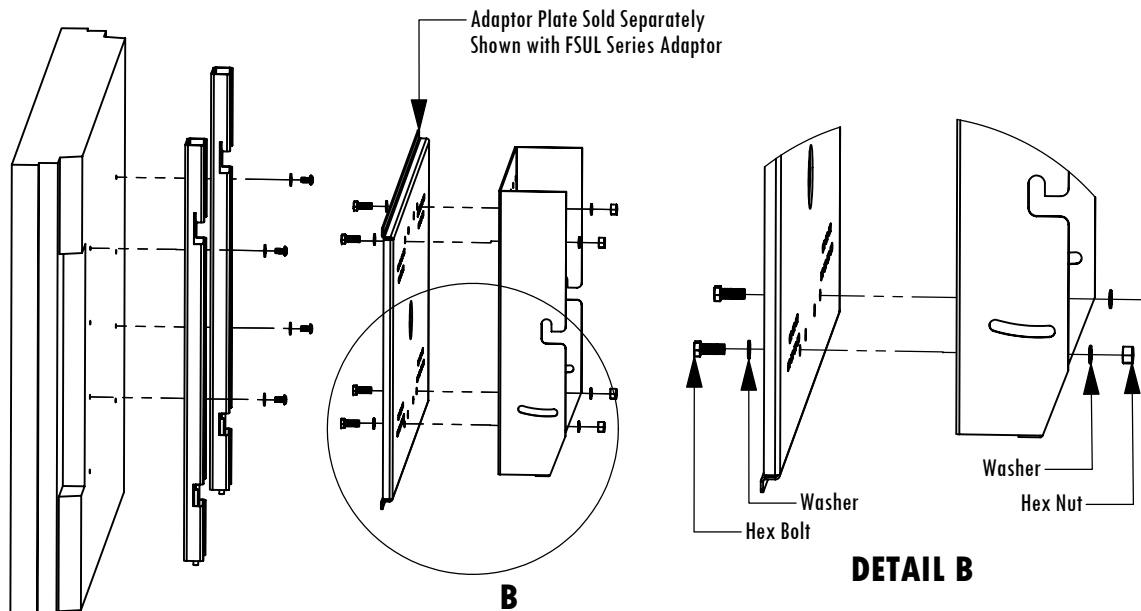
## Direct Monitor Attachment

Use fasteners as specified by the monitor manufacturer to attach the monitor directly to the FSTRT VESA Mounting Plate. (DETAIL A)

## Monitor Attachment with Adaptor Plate

Secure the Adaptor Plate to the FSTRT VESA Mounting Plate with the provided hex bolts, nuts, and washers. (DETAIL B) Refer to the specific Adaptor Plate instructions to attach the adaptor plate to the monitor.

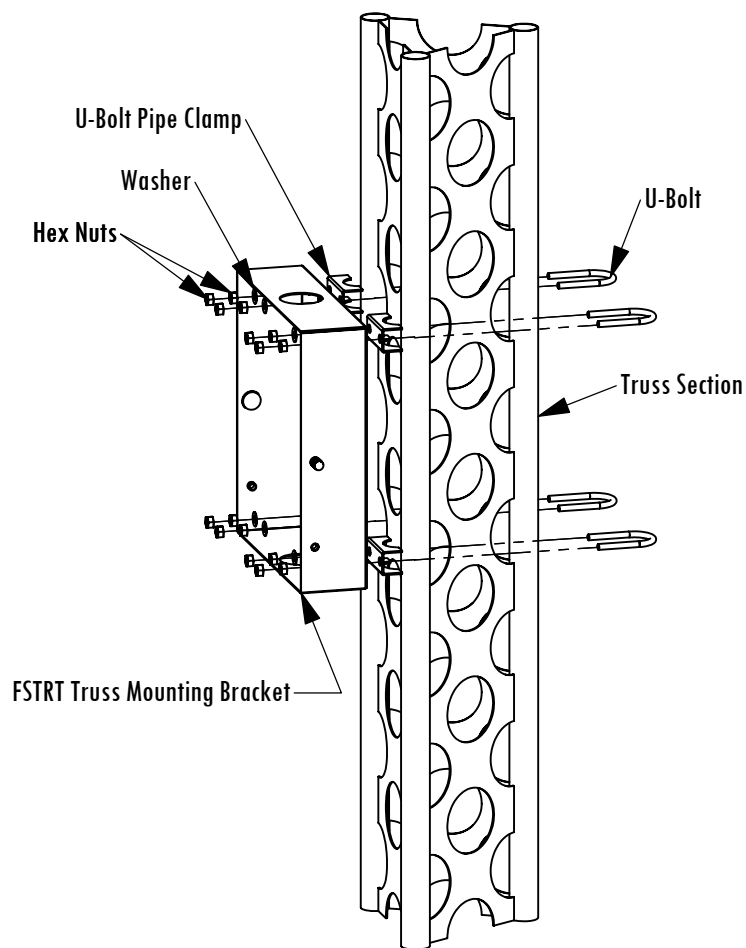
## Monitor Attachment with Adaptor Plate



## Hardware List

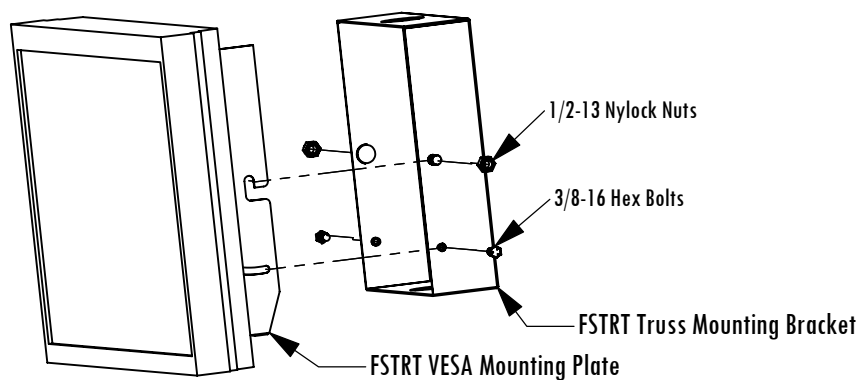
3/8-16 x 1-5/8" U-Bolt .....	4	4mm Hex Nuts .....	8
3/8-16 Hex Nuts, Black .....	16	5mm Hex Nuts .....	8
3/8" Flat Washers, Black .....	12	6mm Hex Nuts .....	8
3/8" Nylock Nuts, Black .....	4	4mm x 12mm Phillips Screws ...	4
3/8-16 x 3/4" Hex Bolt, Black .....	2	5mm x 12mm Phillips Screws ...	4
1/2-13 Nylock Nuts, Black .....	2	6mm x 12mm Phillips Screws ...	4
5/16-18 x 3/4" Hex Bolts, Black .....	4		
5/16" Flat Washers, Black .....	8		
5/16-18 Hex Nuts, Black .....	4		

# FSTRT Flat Screen 0° - 15° Tilt Wall Mount



## Attaching Truss Mounting Plate to Truss Section

1. Align the FSTRT Truss Mounting Bracket U-Bolt holes with the Truss Section. Make sure all four U-Bolts will align with an open space in the Truss.
2. Place a U-Bolt Pipe Clamp between the FSTRT Truss Mounting Bracket and the Truss tubing.
3. Place a U-Bolt through the Pipe Clamp and the FSTRT Truss Mounting Bracket. Secure with a Hex Nut on each leg of the U-Bolt.
4. Repeat steps 1 and 2 for all four U-Bolts. Loosely hand tighten the Hex Nuts and adjust the position on the FSTRT Truss Mounting Bracket.
5. After double checking to make sure the FSTRT Truss Mounting Bracket is level and in the correct position on the Truss Section, tighten the Hex Nuts and secure with a second Hex Nut on each U-Bolt leg.



## Attaching Monitor to Truss Mounting Bracket

1. Raise the monitor with attached brackets to the FSTRT Wall Mounting Bracket and slip the slots of the FSTRT VESA Mounting Plate over the studs on the FSTRT Wall Mounting Bracket. Check to make sure the FSTRT VESA Mounting Plate Slots are fully engaged and seated.
2. Adjust Tilt to the desired viewing angle.
3. Secure with the provided Nylock Nuts and Hex Bolts.