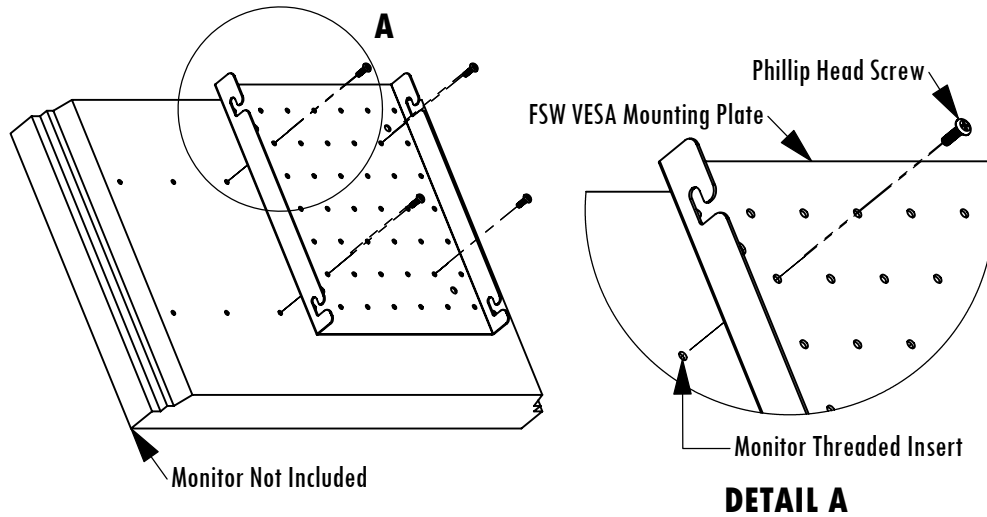


Direct Monitor Attachment



FSW Flat Screen Wall Mount

Determine which type of monitor attaching hardware is required for the monitor as specified by the monitor manufacturer. Various sizes of monitor attaching screws are provided for convenience (See the Hardware List below) If mounting the monitor directly to the FSW VESA Mounting Plate, follow the Direct Monitor Attachment instructions. If mounting the monitor using an Adaptor Plate, follow the Monitor Attachment with Adaptor Plate instructions.

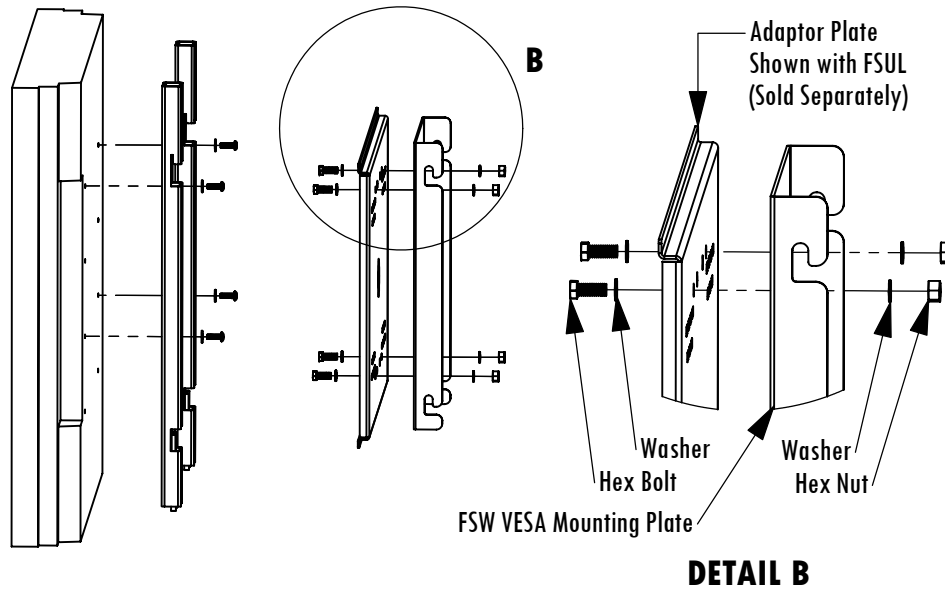
Direct Monitor Attachment

Use fasteners as specified by the monitor manufacturer to attach the monitor directly to the FSW VESA Mounting Plate. (DETAIL A)

Monitor Attachment with Adaptor Plate

Secure the Adaptor Plate to the FSW VESA Mounting Plate with the provided hex bolts, nuts, and washers. (DETAIL B) Refer to the specific Adaptor Plate instructions to attach the adaptor plate to the monitor.

Monitor Attachment with Adaptor Plate

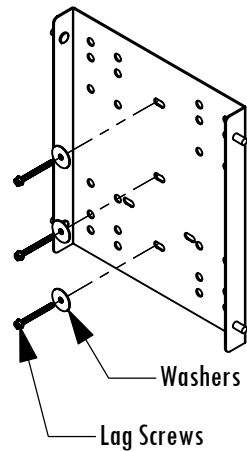


Hardware List

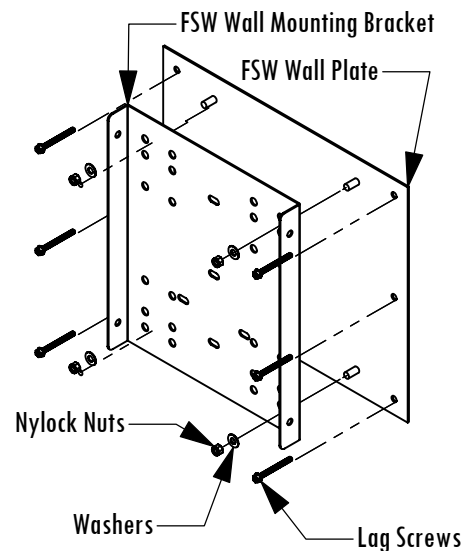
#14 x 2-1/2" HWH Lag Screws	6
1/4" x 1-1/4" Fender Washers	3
3/8" Flat Washers, Black	8
3/8" Nylock Nuts, Black	8
5/16-18 x 3/4" Hex Bolts, Black	4
5/16" Flat Washers, Black	8
5/16-18 Hex Nuts, Black	4
4mm x 25mm Set Screws ...	4
5mm x 30mm Set Screws ...	4
6mm x 30mm Set Screws ...	4
4mm x 12mm Phillips Screws ...	4
5mm x 12mm Phillips Screws ...	4
6mm x 12mm Phillips Screws ...	4
4mm Hex Nuts ...	8
5mm Hex Nuts ...	8
6mm Hex Nuts ...	8
5mm Flat Washers ...	12
1/4" Flat Washers ...	12

FSW Flat Screen Wall Mount

Single Stud Installation



Double Stud Installation



Wood Lag Screws are provided for wood stud installations. For concrete or metal studs, use the WMAAB6, concrete anchor bolt kit, or WMATB6, toggler bolt kit, and follow the instructions specific to these fasteners.

For monitors over 50 lbs., use the Double Stud Installation instructions. For monitor under 50 lbs., use either the Single or Double Stud Installation instructions.

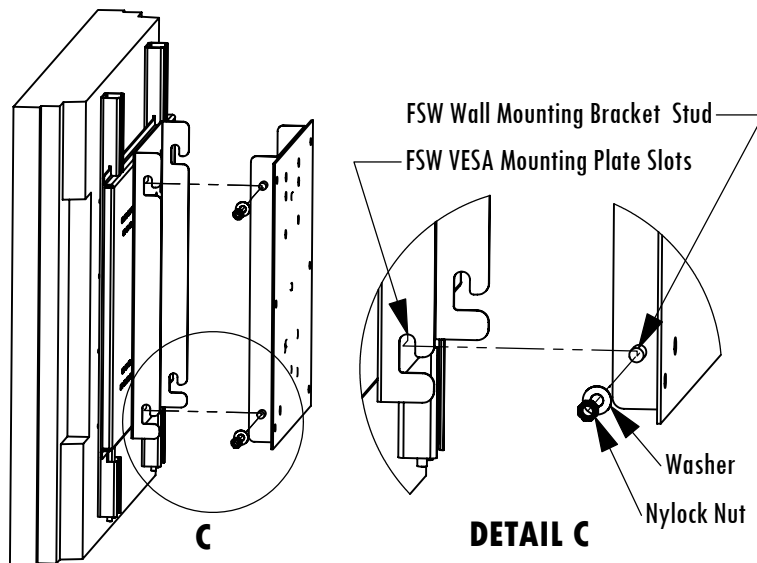
Single Stud Installation

1. Find a wood stud in the wall. Determine the best possible viewing location on the wall.
2. Use the FSW Wall Mounting Bracket as a template to mark the locations for three wood screw pilot holes.
3. Drill the pilot holes using a 1/8" drill bit, 2-3/4" deep.
4. Attach the FSW Wall Mounting Bracket to the wall using the three provided Lag Screws.

Double Stud Installation

1. Find two wood studs in the wall on 16" centers. Determine the best possible viewing location on the wall.
2. Use the FSW Wall Plate as a template to mark the locations for six wood screw pilot holes.
3. Drill the pilot holes using a 1/8" drill bit, 2-3/4" deep.
4. Attach the FSW Wall plate to the wall using the six provided Lag Screws.
5. Attach the FSW Wall Mounting Bracket to the Wall Plate with the provided Nylock Nuts and Washers.

Attaching Monitor to Wall Mounting Bracket



Attaching Monitor to Wall Mounting Bracket

1. Raise the monitor with attached brackets to the FSW Wall Mounting Bracket and slip the slots of the FSW VESA Mounting Plate over the studs on the FSW Wall Mounting Bracket. (DETAIL C)
Check to make sure the FSW VESA Mounting Plate Slots are fully engaged and seated.
2. Secure with the provided Nylock Nuts and Washers.