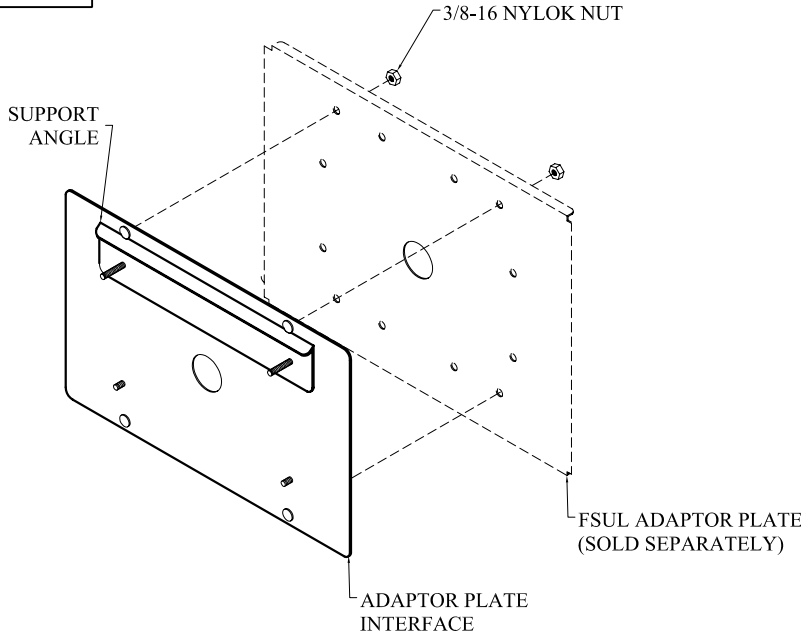


FSWA2220 ARTICULATING PLASMA MOUNT

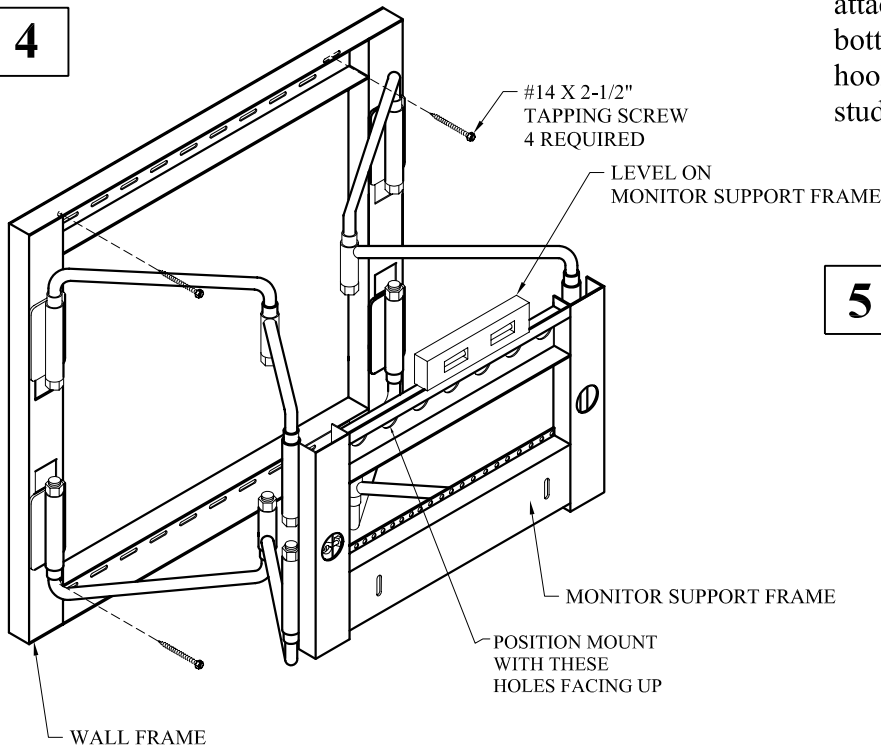
FSUL Flat Screen Adaptor Plate Required

1-3

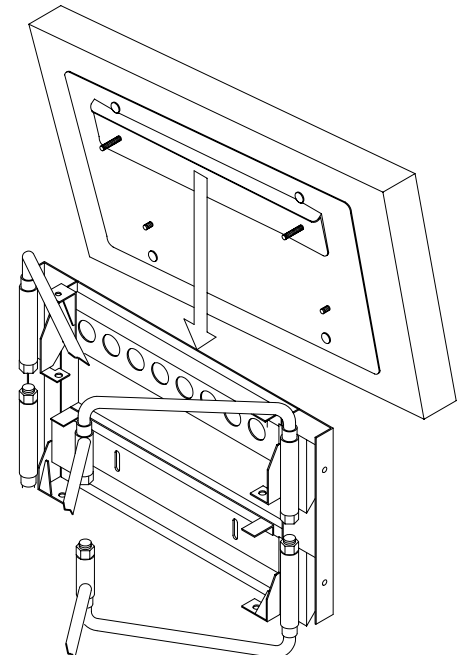


1. Remove adaptor plate interface from monitor support frame.
2. Attach adaptor plate interface to FSUL (plasma screen adaptor plate appropriate to your monitor) using four 3/8-16 Nylock Nuts as shown.
3. Attach FSUL to plasma monitor with hardware appropriate for your monitor.
4. Locate and mark centers of wood studs. Raise support frame and place a level on monitor support frame as shown in Diag.4 Adjust and level frame. Attach frame to wall with four #14 x 2.5" tapping screws, for metal stud walls use Lucasey #WMATB4.

4

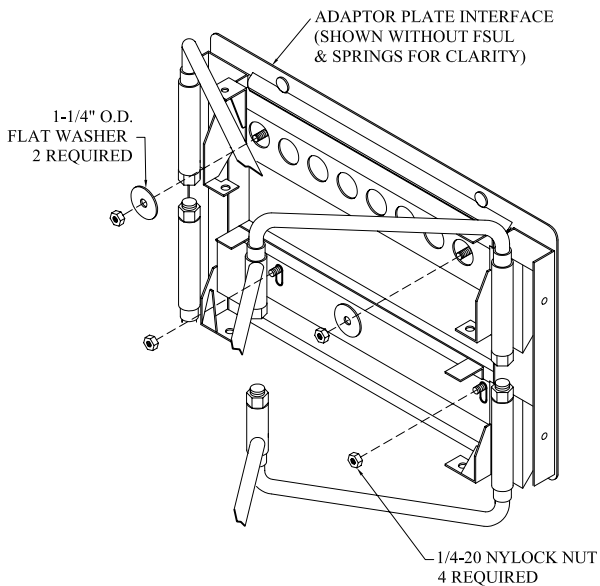


5



5. Raise monitor to support frame with attached adapter plate interface. Angle bottom of monitor away from wall and hook support angle over lip in frame with studs aligning to holes in frame.

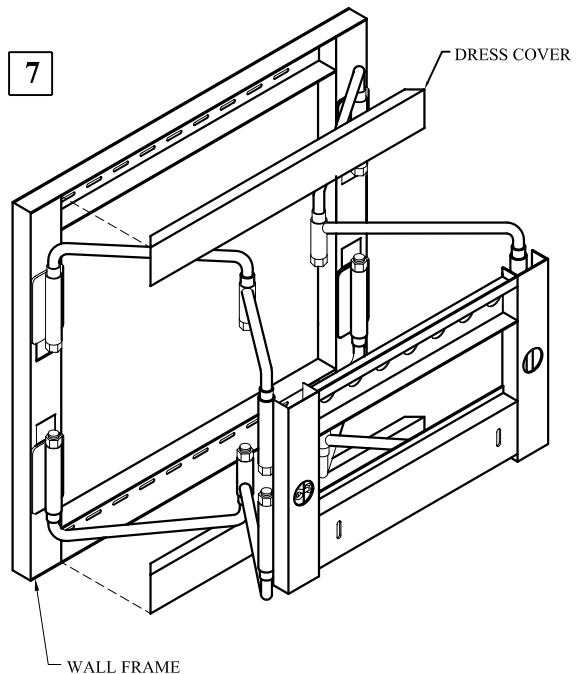
6



6. Secure monitor in place with 1/4-20 hex nuts and fender washers.

7. Install dress covers as shown in diagram 7.

7



ADJUSTING SPRINGS & CLUTCHES

1. Adjust spring tension equally on all 4 springs so that when monitor is placed in a 0° tilt position (see diag #1) it stays in place.
2. Tighten clutch bolts 1/2 turn at a time (equally on all 4) until monitor stays when placed in positive tilt direction (see diag #2).
3. When properly adjusted monitor should move easily in all directions and remain in place when positioned.

