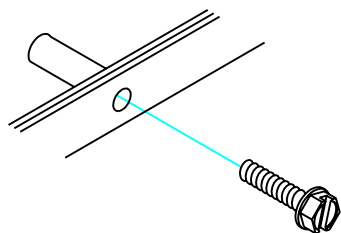


Part No. EB4

Monitor Attachment

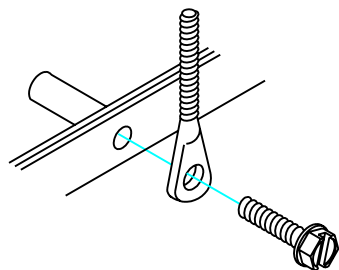
Using Eyebolts

4-Piece Eyebolt Kit



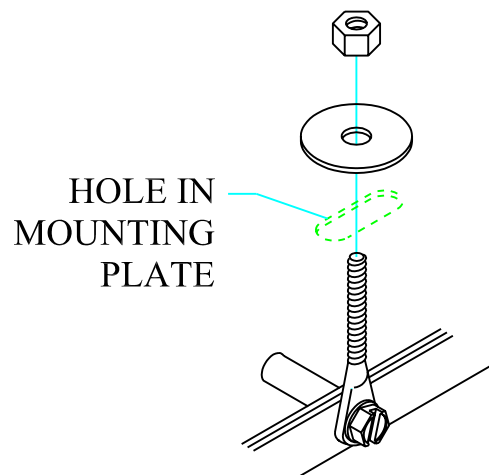
STEP 1

Invert monitor. Remove screws holding two lips together on underside of monitor.



STEP 2

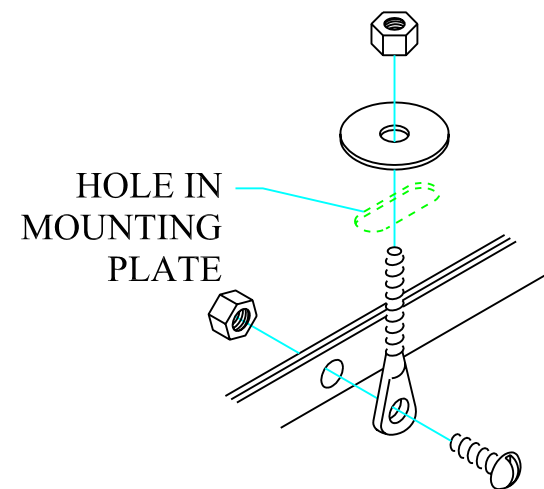
Place eyebolts over holes in lips and replace screws.



HOLE IN
MOUNTING
PLATE

STEP 3

Position mounting plate on underside of monitor with eyebolts protruding through mounting plate. Secure monitor to plate with 1-1/4" fender washers and #10-24 hex nut.



HOLE IN
MOUNTING
PLATE

OPTION

For sets without pre-existing screws, a hole may be drilled through the lips and the eyebolt secured with a 1/4" machine screw & nut.