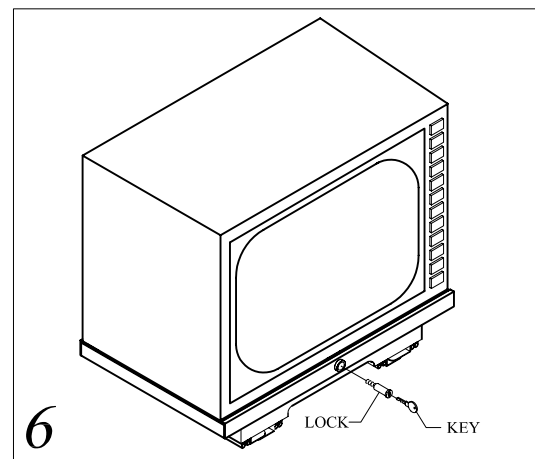
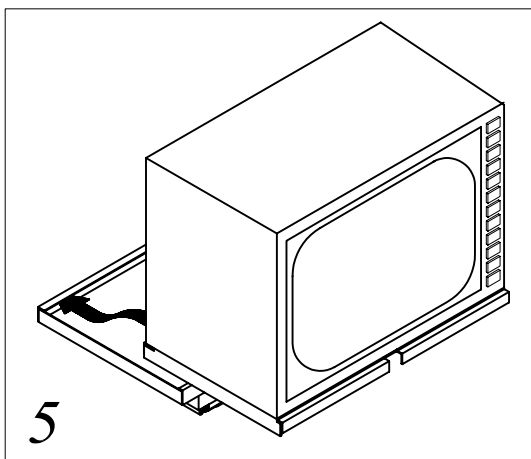
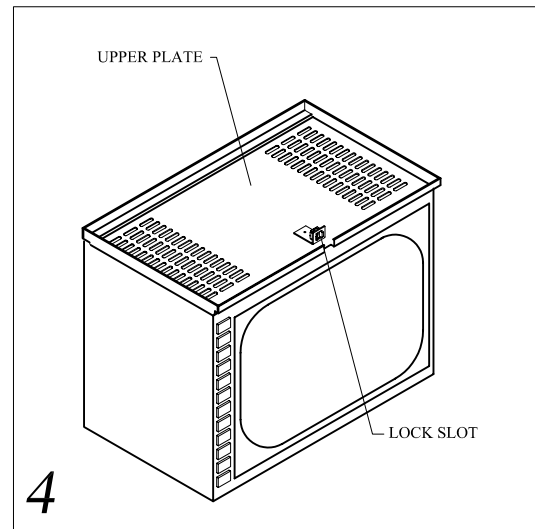
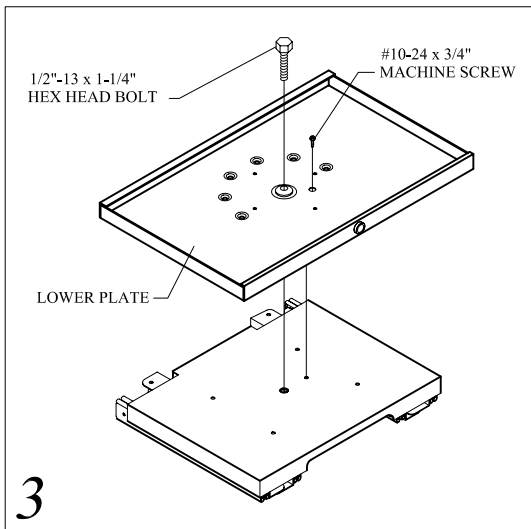
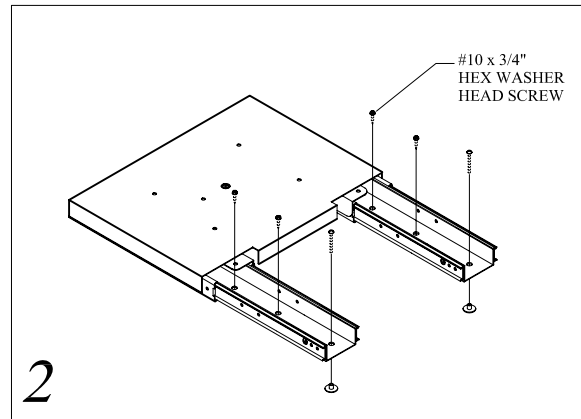
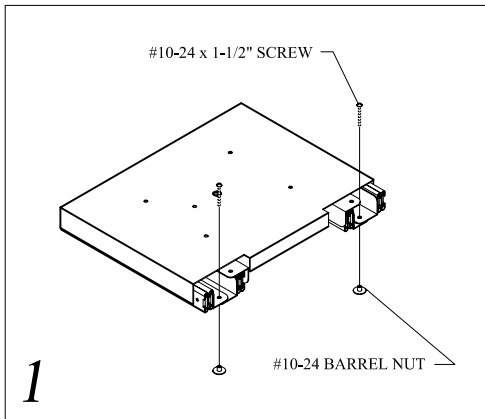


# SLIDE-5C

## WITH 5100 SERIES PLATES

**WARNING:** Secure furniture to which Lucasey **SLIDE5-C** mount will be installed to wall studs or concrete floors to prevent tip over when **SLIDE5-C** is extended.



1. Push the slide channels completely into platform. Place **SLIDE-5C** in desired location. Mark location of rear holes in slide channels.

Drill 1/4" diameter holes completely through mounting surface at marked locations.

Insert #10-24 x 1-1/2" screws through rear holes in slides channels and drilled holes. Place #10-24 barrel nuts on screws from beneath mounting surface. Securely tighten barrel nuts. With pliers, snap off excess threads protruding through barrel nut.

2. Slide the platform completely out. Screw #10 x 3/4" hex washer head screws through the remaining four holes in the slide channels.

3. Rotate the swivel on the bottom of the lower plate until one of the holes in the swivel aligns with the hole closest to the center hole in the plate. Place the 1/2"-13 x 1-1/4" bolt through the center hole in the plate and place the plate on the **SLIDE-5C** platform, slipping the carriage bolt into the large hole in the platform. Tighten the bolt.

Insert a #10-24 x 3/4" machine screw into the hole nearest the center hole in the lower plate and into the **SLIDE-5C** platform. Tighten the screw.

4. Invert the monitor. Place the inverted upper plate on the bottom of the monitor with the lock slot facing the front of the monitor. Attach the monitor to the upper plate with fasteners appropriate to the underside of the monitor.

5. Turn the monitor right side up. Place the upper plate on the lower plate, guiding the rear of the upper plate beneath the lip at the back of the lower plate. Slip the upper plate into the lower plate and pull the upper plate forward until the front of the upper plate meets the front of the lower plate.

6. Place the key in the lock and the lock into the lock retainer. Turn the key clockwise until the lock has been completely screwed in. Turn key back (counterclockwise) until the key is vertical. Remove the key.

# SLIDE-5C

## with SLE Furniture Mount

**WARNING:** Secure furniture to which Lucasey **SLIDE-5C** mount will be installed to wall studs or concrete floors to prevent tip over when **SLIDE-5C** is extended.

1. Push the slide channels completely into platform. Place **SLIDE-5C** in desired location. Mark location of rear holes in slide channels.

Drill 1/4" diameter holes completely through mounting surface at marked locations.

Insert #10-24 x 1-1/2" screws through rear holes in slides channels and drilled holes. Place #10-24 barrel nuts on screws from beneath mounting surface. Securely tighten barrel nuts. With pliers, snap off excess threads protruding through barrel nut.

2. Slide the platform completely out. Screw #10 x 3/4" hex washer head screws through the remaining four holes in the slide channels.

3. Place the base plate on the **SLIDE-5C** platform, aligning the holes in the base plate with the holes in the platform. Attach the base plate to the platform with #10-24 hex washer head screws.

Insert the four nylon plugs into the holes on the top of the base plate.

4. Invert the monitor. Place the inverted upper plate on the bottom of the monitor. Attach the monitor to the upper plate using fasteners appropriate to the underside of the monitor.

Turn the monitor right side up. Insert the upper plate into the base plate by positioning the upper plate shoulder rivet on the spring plate in the base plate and pushing downward and to the rear of the base plate until the spring plate clicks back to its original position. Pull forward on the monitor to verify that upper plate is locked into place.

5. To remove the upper plate from the base plate, insert the release rod into the release hole and turn the rod handle to the left to depress the spring plate. Pull forward on the platform while the spring plate is depressed. Lift the monitor and upper plate from the base plate.

