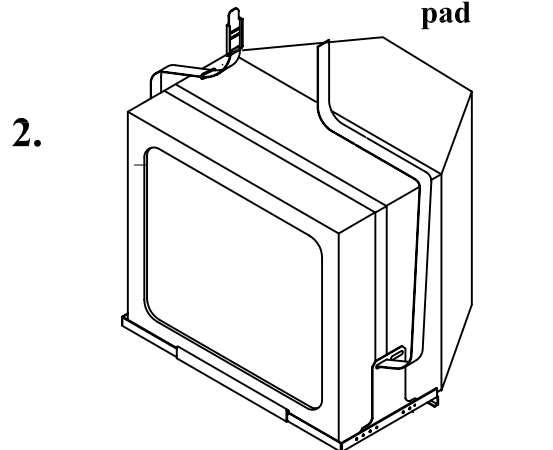
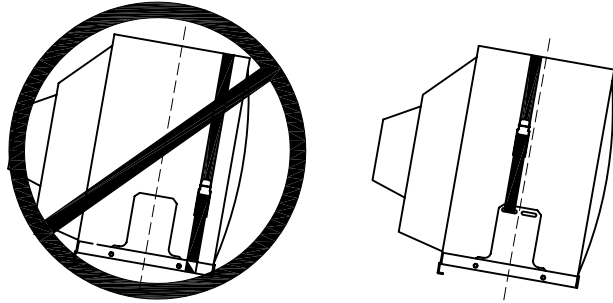
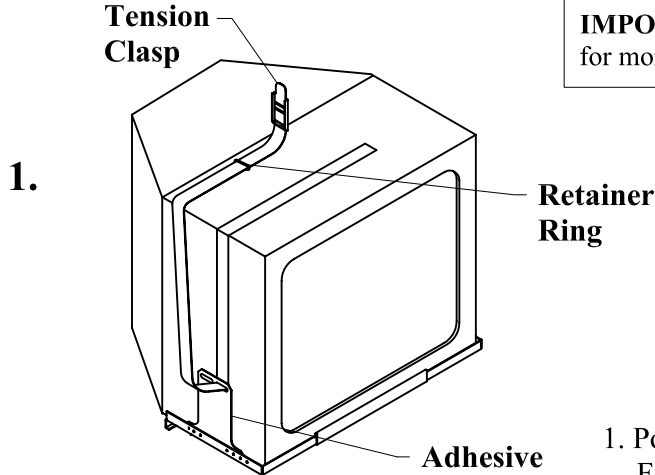


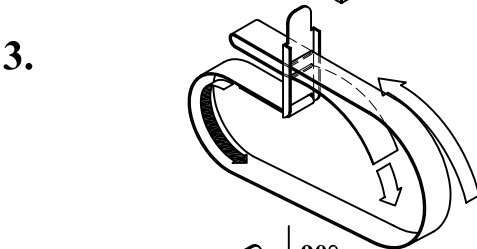
ST20 SAFETY STRAP

IMPORTANT ! This Safety Strap is intended to provide additional stability for monitors that are already properly and safely attached to the platform.

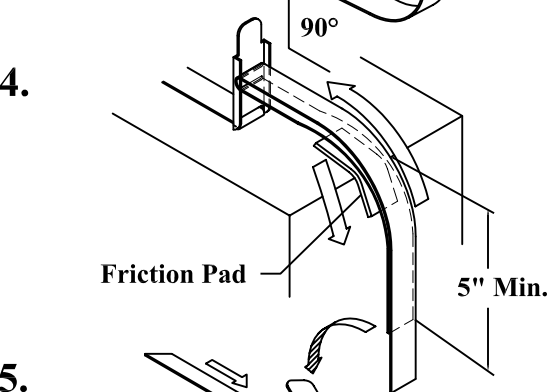


1. Position retaining ring behind the tension clasp. Feed strap through slot in adhesive pad as shown in (figure 1) when possible. If TV will not accept strap in this location, place strap under rear of plate and around TV behind the center of gravity.
2. Place strap over TV and feed through slot on other side as shown in (figure 2).

STOP: if you are using "ST GUIDES", position them on the strap now.

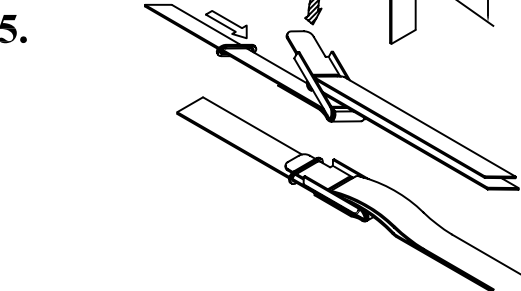


3. With tension clasp centered at top of monitor, feed the strap through the top slot of tension clasp and back through the bottom slot as shown.
4. Lead the loose end of the strap across the top and down the side of the monitor underneath the top strap. Pull loose end of strap to remove slack. Cut off excess material leaving 5"-6" of strap down side of monitor. Tape end of strap to prevent fraying.



4. Lead the loose end of the strap across the top and down the side of the monitor underneath the top strap. Pull loose end of strap to remove slack. Cut off excess material leaving 5"-6" of strap down side of monitor. Tape end of strap to prevent fraying.
5. Pull loose end of strap to create tension. Depress tension clasp flat against the strap and slide the retainer ring onto the clasp.

Check tension. If strap is too loose, remove the retainer ring and readjust the strap.



"ST GUIDE"

Strap Guide for ST20 Safety Strap

Most typical monitors have "Box Shapes", they strap in quickly and are stabilized without extra effort. Some don't. The "ST GUIDES" can be Permabonded to strategic locations to help "ST" straps from slipping.

