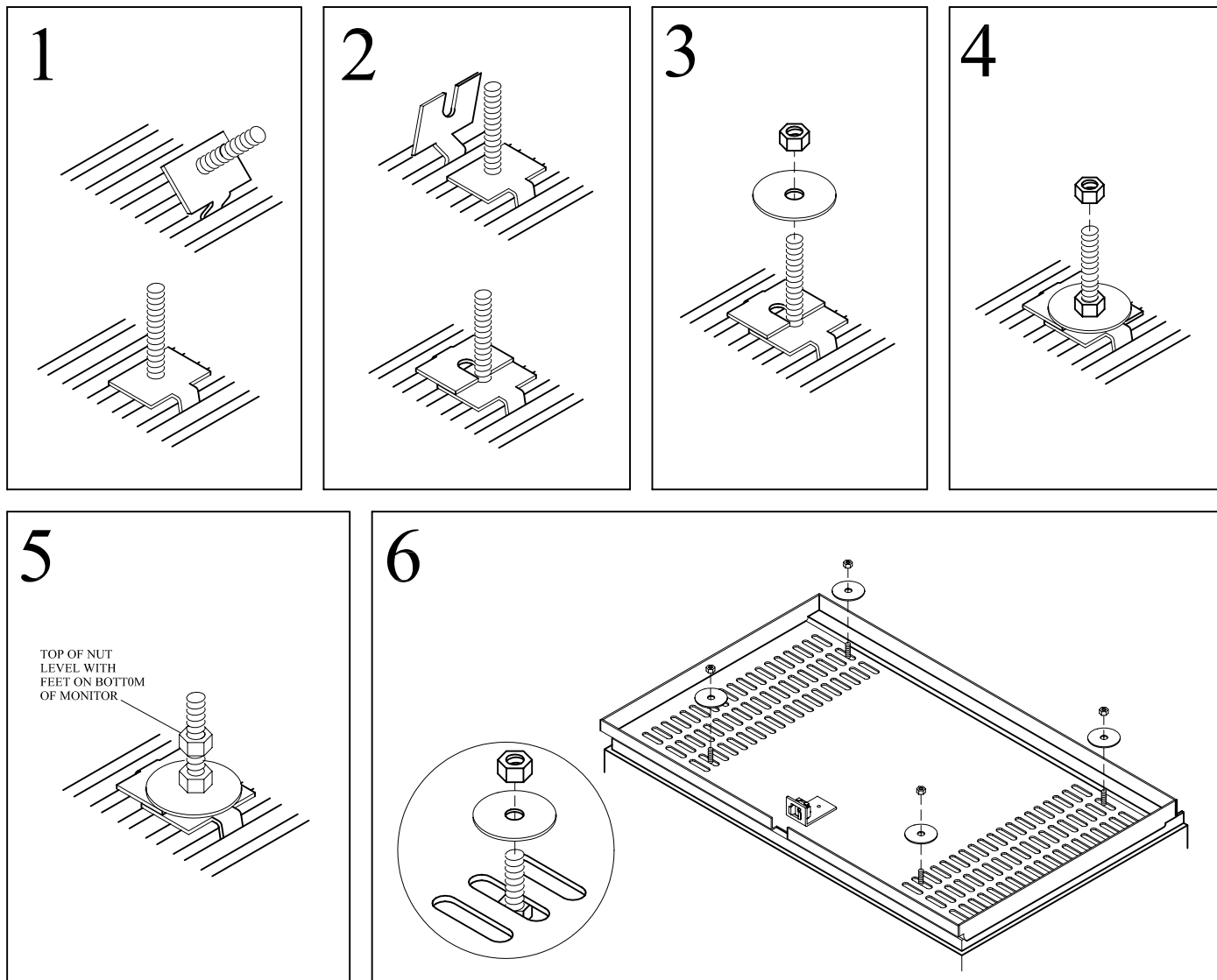


# VENT GRABBER INSTALLATION

**WARNING:** Vent grabbers are not recommended for use on VPs, VCRs, or TV/VCR combination sets were components transverse and/or has electronic circuitry in close proximity



1. Invert monitor. Position the mounting plate on the bottom of the equipment. Note the locations of vents holes in the equipment in relation to the holes in the plate. On the equipment, mark the location of the holes in the plate near the corners of the equipment where vent grabber stud should be positioned. Avoid locations where electronic circuitry is visible beneath the vents.
2. Remove the mounting plate. Insert the base portions of the vent grabbers at the marked locations as shown in Figure 1. Be sure the screw portion of base is positioned at the previously marked locations.
3. Overlap the top portions of the vent grabbers as shown in Figure 2.
4. Replace the mounting plate and check for proper vent grabber placement. If necessary, remove the mounting plate and relocate the vent grabbers. Repeat this step until all of the vent grabbers are properly located.
5. Place washers on the vent grabber screws, then place one nut on each vent grabber screw and securely tighten.
6. Place a second nut on each vent grabber screw. Position this second nut so that the top edge of the nut is at the same elevation as the feet on the bottom of the monitor. [This will prevent damage to the vents on monitor bottom when monitor is mounted.]
7. Replace the mounting plate. Place a washer and nut on each vent grabber screw and securely tighten.
8. Test the holding action of vent grabbers by grasping one side of plate and lifting. Repeat this step with other side.