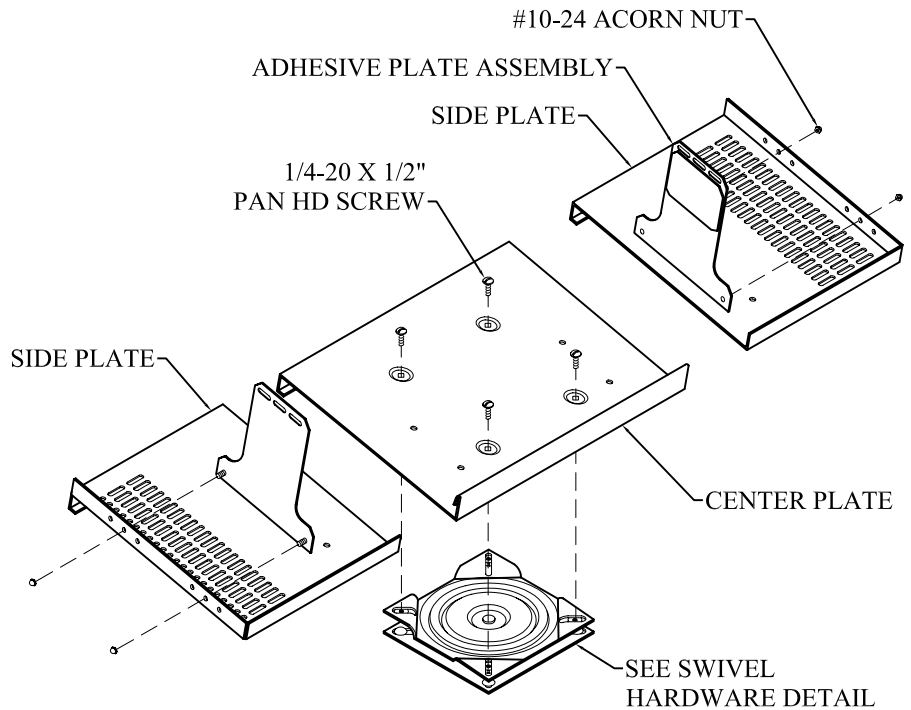
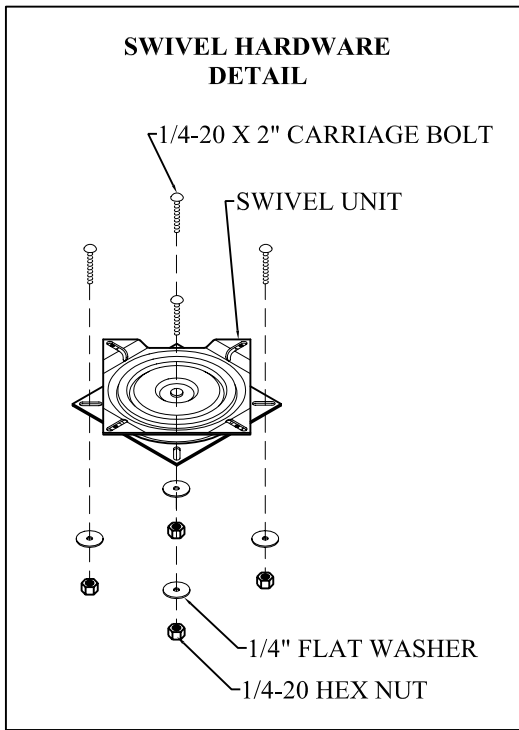


Adjustable Width Swivel Furniture Mounts

F1014T F1420T F2030T F2333T



1. Before drilling into furniture, verify sufficient clearance from walls and other furniture to permit rotation of monitor.
2. Twist upper portion of swivel unit to expose screw slots in lower portion of swivel unit.
3. Use slots in lower portion of swivel unit as template to mark locations for drilling.
4. Drill 1/4" holes through furniture surface at marked locations.
5. Place swivel unit over holes, aligning slots in unit with drilled holes in furniture surface.
6. Insert 1/4-20 x 2" carriage bolts through slots and holes.
7. Place washers and 1/4-20 nuts on carriage bolts and tighten nuts.
8. Slide side plates onto center plate. Place assembled plate on swivel unit, aligning holes in center plate with nuts in swivel unit. Insert 1/4-20 x 1/2" pan head screws into holes and securely tighten.
9. Attach adhesive plate assemblies to side plates as shown, using acorn nuts. Remove protective coverings from adhesive pads.
10. Place monitor on plate. Slide side plates, and adhesive plate assemblies, inward and press adhesive pads firmly onto side of monitor.
11. Secure side plates to center plate with two small carriage bolts and acorn nuts through holes and slots in the lower lip at the back of platform assembly.
12. Attach safety strap (For F1014T see below, for other models refer to ST20 instructions).

Strap attachment for #F1014T only.
See ST20 instructions for other models.

