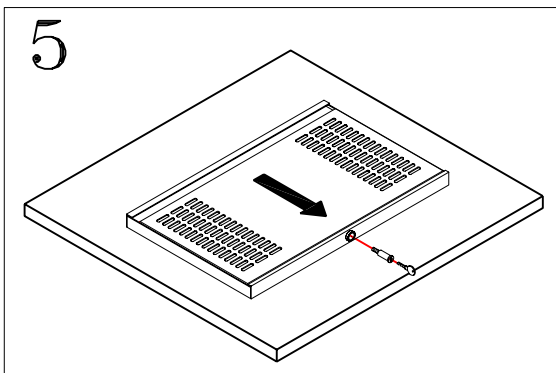
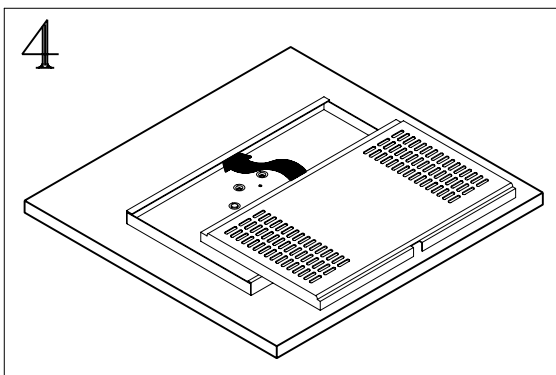
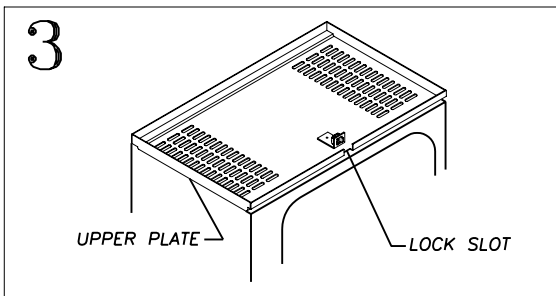
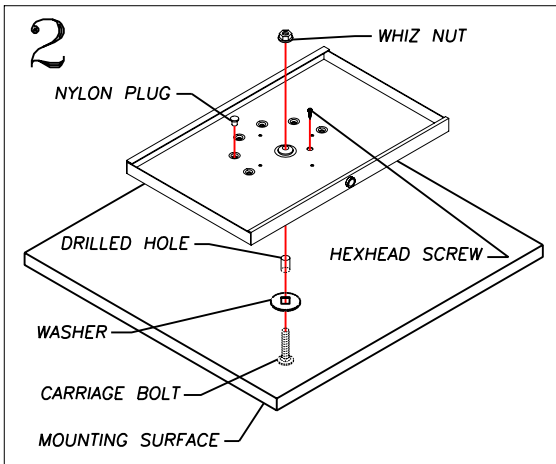
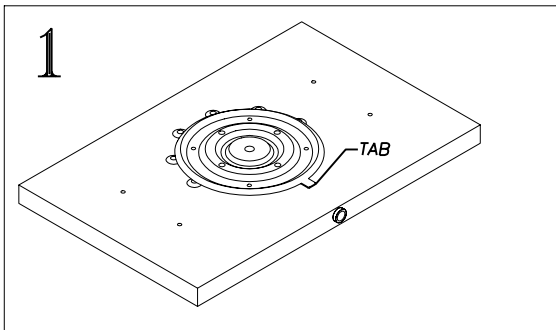


F5500 Series Furniture Swivel Mounts

Note: F5500 Series should only be installed on furniture that has been secured to walls or floors.



1. Turn the lower plate upside down to access the swivel on the bottom of plate. Rotate the swivel until tab is pointed toward the front of plate as shown in Fig. 1. It may be necessary to tap the tab with a rubber mallet to rotate the swivel.
2. Set the lower plate in the desired location on the mounting surface. Check to see that the plate and monitor will rotate as desired without striking walls or other objects.
3. Mark the location of the center hole on the mounting surface. Remove the lower plate from the mounting surface.
4. Drill a 1/2" diameter hole through mounting surface at marked location.
5. Replace the lower plate on the mounting surface with the hole in the center of the plate aligned with the hole drilled in mounting surface. Place a washer over the carriage bolt, and insert the carriage bolt through surface and hole in center of plate from underneath the mounting surface (see fig.2). Place whiz nut on carriage bolt and securely tighten.
6. Twist the lower plate slowly counterclockwise until the hole closest to the center hole in plate is aligned with one of the holes in the swivel beneath the plate. Insert the hex washer head screw into hole, and screw into mounting surface. *NOTE: Failure to screw HWHS into surface as instructed above will allow whiz nut to back off and disengage when platform is rotated, creating an unstable and dangerous condition.*
7. Two nylon plugs have been provided with mount. At least one of these must be inserted into one of the remaining holes in lower plate (see Fig.2) to limit the rotation of the monitor to 360* to prevent damage to monitor cords. If desired, the second plug can be placed into another hole to further limit the rotation.
8. Rotate the plate and check to see that rotation is not halted at an undesirable location. If not satisfied remove plug and reinsert into another hole and check again, repeat until satisfied.
9. Invert the monitor and place the upper plate on the bottom of monitor with the lock slot facing the front of monitor (See fig. 3). Attach upper plate to monitor with fasteners appropriate to your monitor.
10. Turn the monitor right side up. Slip the upper plate (with attached monitor) into the lower plate, and under the lip at the back of the lower plate as shown in figure 4.
11. Pull forward on the upper plate until the upper plate contacts the front lip of the lower plate as shown in figure 5.
12. Insert the key into lock, and the lock into lock cylinder. Turn the key clockwise until the lock has been completely screwed in, then turn the lock back (counter clockwise) until the key is vertical. Remove the key.