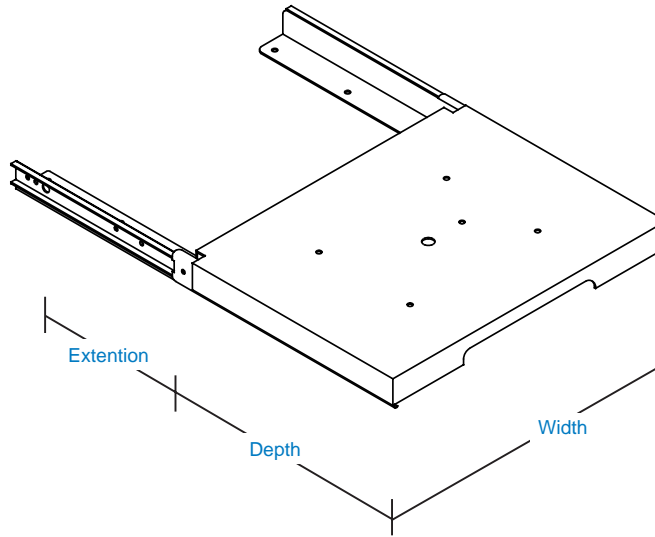




SLIDE2C

SLIDE-OUT ACCESSORY FOR FURNITURE SWIVEL MOUNT



MODEL	WIDTH	DEPTH	LOAD LIMIT (lbs)	SWIVEL	EXTENSION	HEIGHT WITH F5500	HEIGHT WITH SLE	GLOSS BLACK	SHIP. WT. (lbs)
SLIDE2C	15"	11"	60	360°	7"	3-1/8"	2-1/2"	•	11

NOTES:

- Converts **F5500** series and **SLE** mounts into extendible/retractable swivel mounts.
- Bolt-down mounting.
- Compare furniture cavity size to monitor width and height, including mount height, to assure proper clearances.

1-800-LUCASEY

Protected under one or more of these or pending United States patent numbers: 3,291,432; 3,559,942; 3,724,798; DES.270,689; 4,613,109; 4,852,842; 4,878,645; DES.309,562; 4,973,023; 5,169,114; 5,255,884; 5,310,152; 5,522,576; 5,621,614; Re.35,677; DES.398,834; 5,826,384; 5,941,492; 5,964,068
 © 2000 LUCASEY MANUFACTURING CORPORATION, Oakland, California. All rights reserved.