



LC200C9F

Ceiling Mount

for up to 50lbs Flat Panel Screens

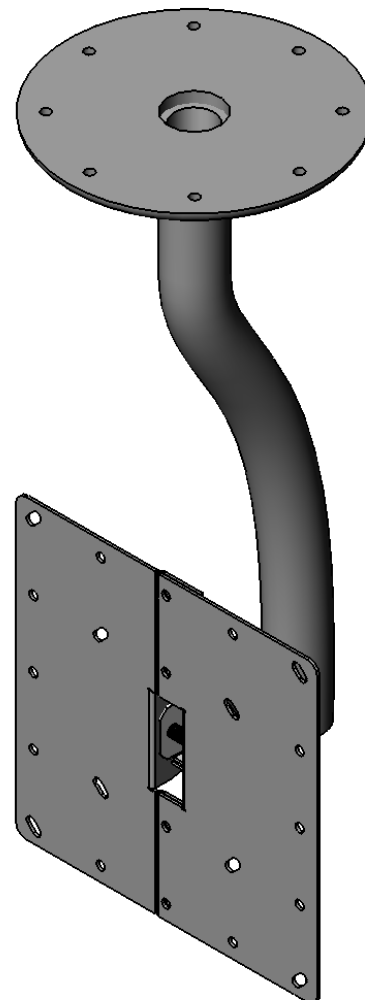
with 200mm x 200mm VESA® Mounting Patterns

The LC200C9F Flat Screen Ceiling Mount is designed to suspend a monitor from a round flange mounted to structure in the ceiling.
(Other types of ceiling flanges are sold separately.)

The existing hole pattern on the front of the LC200C9F mount allows it to be used with standard VESA® mounting patterns up to 200mm x 200mm. The monitors can be mounted in either portrait or landscape viewing modes and tilted up to 45° for the optimal viewing angle.

Our mounts are tested at four times the rated load limit to ensure that they can hold the monitor during seismic or other extreme loading events.

When dropping the monitor more than 36" from the ceiling flange, we recommend using a stabilizer kit to prevent the pipe from being able to move from side to side. (CMASTA15 stabilizer kit is sold separately.)



Important! Please read all warnings and cautions before installing the mount.

Caution: Improper installation of this ceiling mount may void the warranty on your monitor.

Caution: Ceiling attachment should be performed by qualified installers only, using construction methods prescribed by authorized architects or engineers that comply to all applicable codes and standards.

The maximum weight of each monitor to be installed on the LC200C9F is 50lbs (22.7kg)

Inspect all parts to make sure there is no shipping damage. Do not install if any parts are damaged.

Please call 1-800-LUCASEY or 1-510-534-1435 if you have any questions about this installation.

WARNING: Improper installation can result in serious personal injury. It is the responsibility of the installer to ensure that all safety precautions are taken during the installation and that all safety features of the mount are properly utilized.

WARNING: The structure to which the mount is attached needs to be capable of supporting five times the stated load limit. Additional reinforcement of the structure to which the ceiling flange is attached may be necessary and a certified architect or engineer is needed to make this determination.

WARNING: Take into consideration the combined weight of the mount, the monitor and any auxiliary equipment when determining the total load on the ceiling and mount.

WARNING: Do not place your fingers between movable parts on the LC200C9F mount. The mount has pinch points that can cause injury.

WARNING: Make sure that the screws used to attach the monitor to the mount are the appropriate size and length. An assortment of monitor attaching screws is provided for convenience. The appropriate screws to use for mounting the monitor are determined by the monitor manufacturer. Failure to use the screws recommended by the monitor manufacturer can result in the monitor dropping from the mount and/or damage to the electronic components inside the monitor.

WARNING: Use the thread locking agent provided to prevent the pipe from coming unscrewed. Failure to use the thread locking agent can result in, with continued swivelling of the monitor on the threads of the pipe, the pipe coming unscrewed from the ceiling flange and dropping the monitor. The monitor mount assembly coming unscrewed from the pipe unintentionally can cause injury.

Table of Contents

Page 1 ... Title Page & Product Description
 Page 2 ... Warnings, Item List & Tools Required
 Page 3 ... Dimensional Drawings
 Page 4 ... Installation Instructions for LC200C9F Ceiling Bracket
 Page 5 ... Installation Instructions for Monitor Attachment
 Page 6 ... Tilt Adjustment, Monitor Removal & Warranty

Tools Required

- 1/2" Box Wrench
- 1/2" Socket Driver
- Pipe or Strap Wrench for 1-1/2" I.D. Pipe
- Phillips Screw Driver
- Drill and 1/8" drill bit for wood installations
- Rotary hammer with 1/4" drill bit for concrete

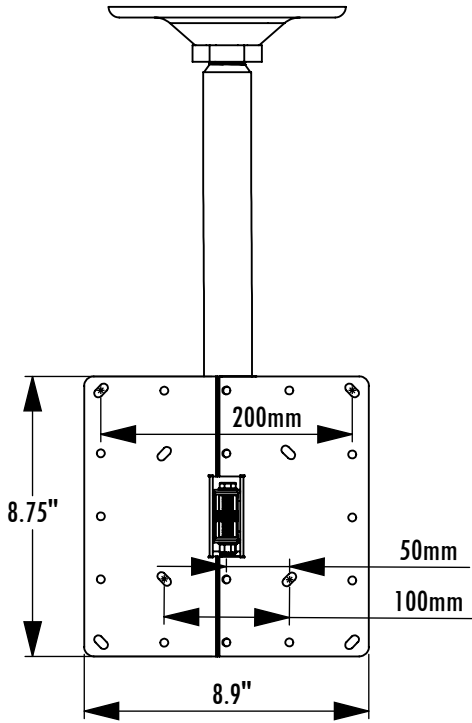
Item List

- 1 ... LC200C9F Ceiling Mount Bracket Assembly
- 1 ... Round Ceiling Flange (04-73007500)
- 1 ... 1-1/2" to 1-1/4" Hex Bushing Reducer (06-50131251)
- 1 ... Permabond HM-128 1/2ml Tube (09-01100025)
- 8 ... #14 x 2" Flat Head Lag Screws

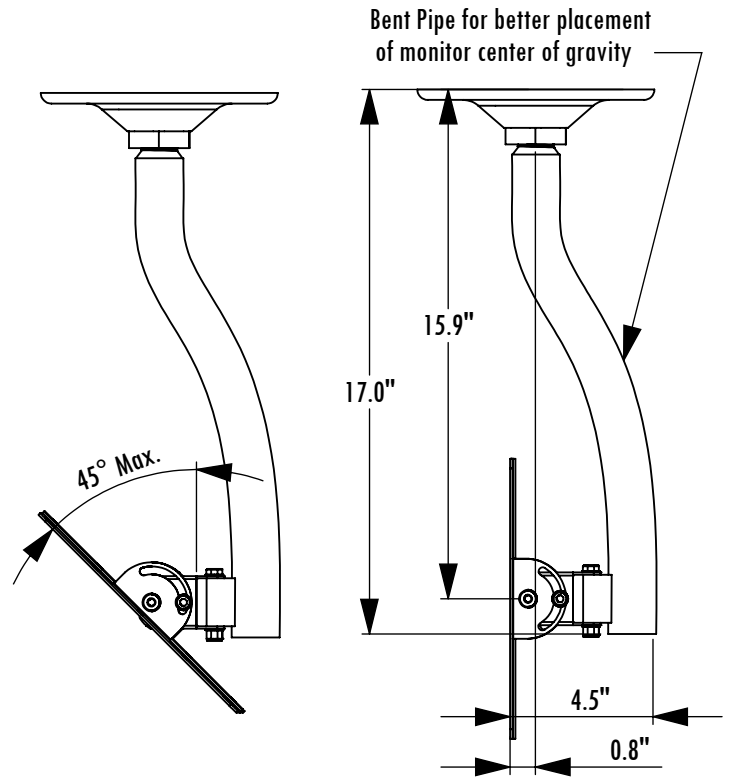
Monitor Attaching Screw Kit (03-50400456)

- 8 ... 4mm x 25mm Set Screws
- 16 ... 4mm Hex Nuts
- 8 ... 5mm x 30mm Set Screws
- 16 ... 5mm Hex Nuts
- 8 ... 6mm x 30mm Set Screws
- 16 ... 6mm Hex Nuts
- 8 ... 4mm x 12mm Phillips Screws
- 24 ... 5mm Flat Washers
- 8 ... 5mm x 12mm Phillips Screws
- 24 ... 1/4" Flat Washers
- 8 ... 6mm x 12mm Phillips Screws

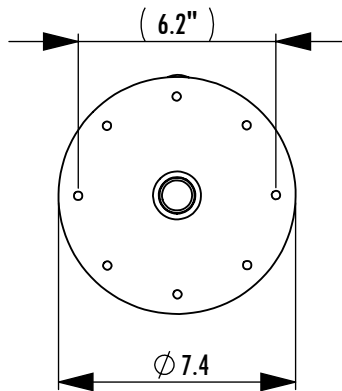
LC200C9F Front View



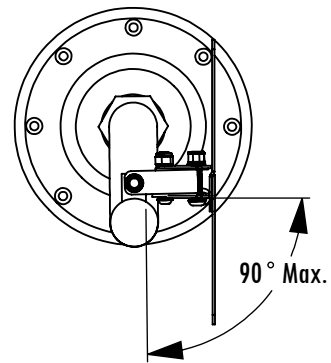
LC200C9F Side View

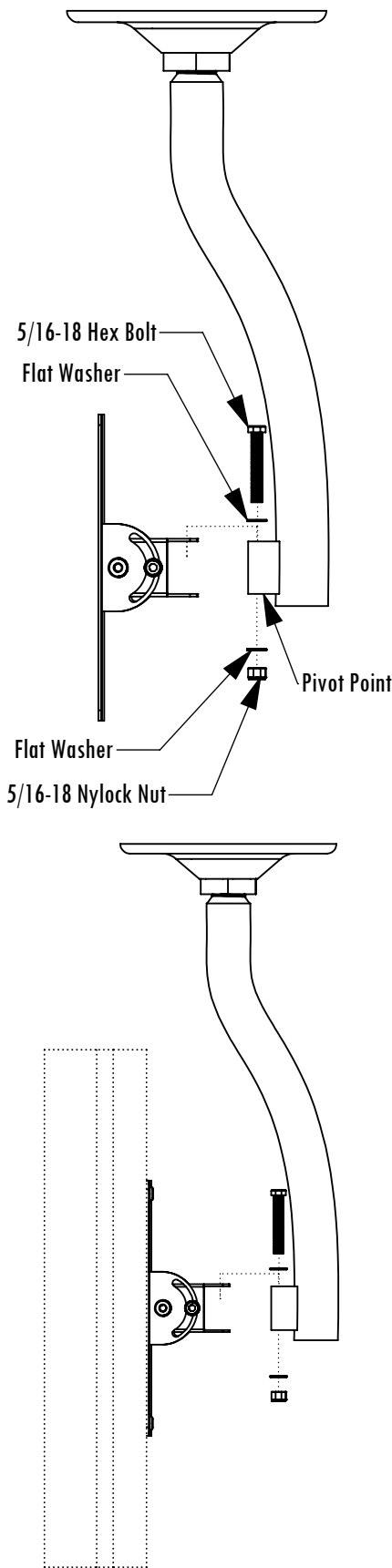


LC200C9F Top View



LC200C9F Bottom View





Flange & Ceiling Mounting Bracket Installation

Ceiling mounting hardware for concrete and wood installations and ceiling flanges for different applications are sold separately. See <http://www.lucasey.com> for details and drawings of all available mount accessories.

1. Install the round ceiling flange to wood or concrete structure using CMAWS8, 8 countersunk #14 wood screws, or CMAABCS4, 4 countersunk anchorbolts. (Specific mounting hardware sold separately)
2. Determine the appropriate length of pipe needed to place the monitor in the proper viewing position. (The pipe provided with the LC200C9F mount is normally 18" in length but longer lengths can be substituted. Any drop over 36" needs to be stabilized using a CMASTA15, stabilizer kit.)
3. Apply the thread locking agent provided in the FSCTD hardware kit to the threads of the 1-1/2" NPT pipe and securely tighten this pipe into the ceiling flange using a pipe wrench or strap wrench. Securely tighten the Hex Bushing Reducer into the ceiling flange using a pipe wrench or strap wrench. Tighten while the thread locking agent is still wet. Make sure the final direction the monitor will be pointing is correct before the thread locking agent prevents the pipe from being turned.
4. Remove the 5/16-18 Hex Bolt, Flat Washers & Nylock Nut from the Pivot Point on the mount.
5. Follow the instructions on page 5 for attaching the monitors to the LC200C9F VESA® Mounting Plate.
6. Using two people to prevent damage to the monitor, raise the monitor with attached brackets to the LC200C9F Ceiling Mounting Bracket. Align the Pivot Point and replace the 5/16-18 Hex Bolt removed in step 4. Adjust the tightness of the Pivot Point 5/16-18 Hex Bolt until the monitor pivots but is not free to swing unintentionally.
7. If needed, tighten the Tilt Adjustment Nuts and Bolts to keep the monitor at the desired viewing angle. See page 6 for tilt and pivot adjustment.

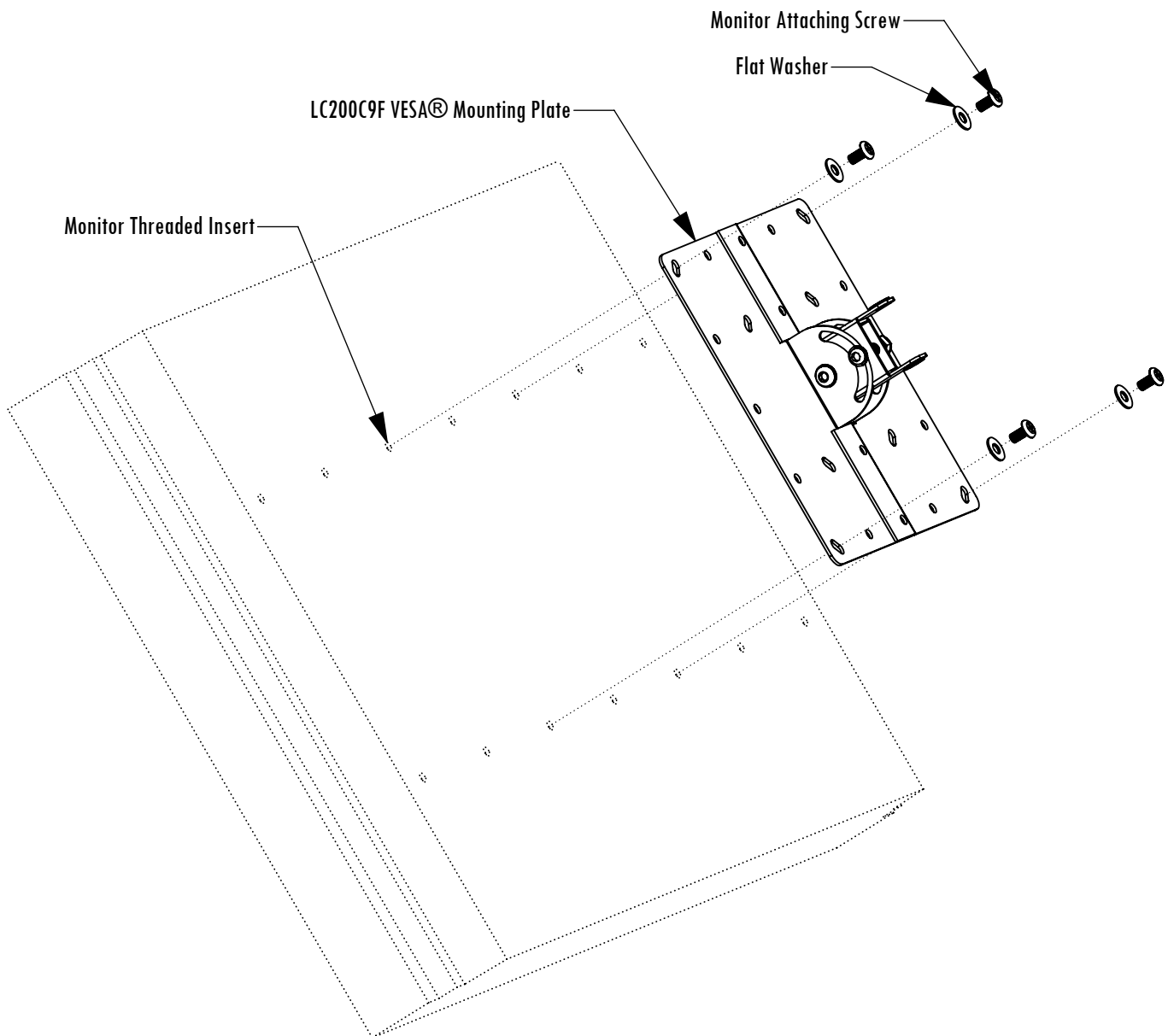
Protected under one or more of these U.S. Patent numbers: 3,291,432; 3,559,942; 3,724,798; DE.270,689; 4,613,109; 4,878,646; 4,852,842; DE.309,562,497; 5,023,169; 5,255,884; 5,310,152; 5,522,576; 5,621,614; Re.35,677; DE.398,834; 5,826,384; 5,941,499; 5,944,088; 6,060,461; 6,102,398; 6,158,704; 6,454,118; 6,761,276; 6,826,428; 6,806,428; 6,806,428

Determine which type of monitor attaching hardware is required for the monitor as specified by the monitor manufacturer. Various sizes of monitor attaching screws are provided for convenience.

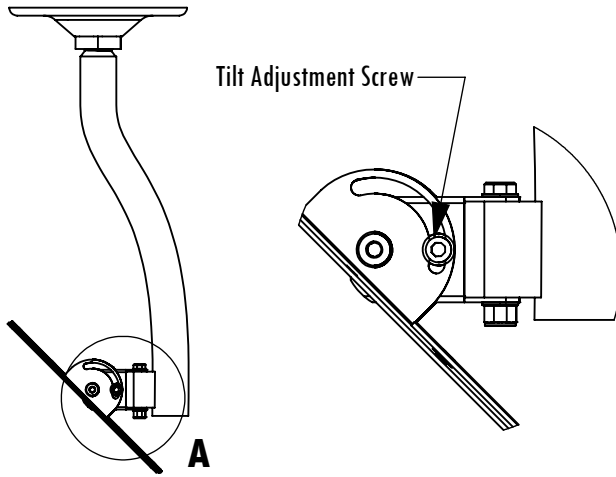
WARNING: Make sure that the screws used to attach the monitor to the mount are the appropriate size and length. An assortment of monitor attaching screws is provided for convenience. The appropriate screws to use for mounting the monitor are determined by the monitor manufacturer. Failure to use the screws recommended by the monitor manufacturer can result in the monitor dropping from the mount and/or damage to the electronic components inside the monitor.

Monitor Attachment

Use fasteners as specified by the monitor manufacturer to attach the monitors directly to the LC200C9F VESA® Mounting Plate.



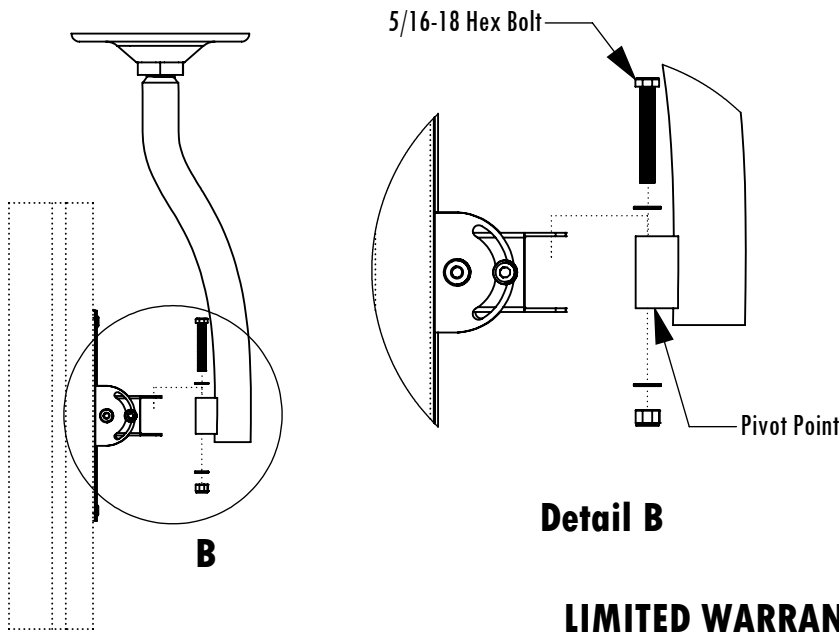
Monitor Tilt Adjustment



Detail A

1. Carefully loosen, but do not remove, the Tilt Adjustment Screw. Do not loosen more than is needed to make the monitor moveable. See Detail A.
2. Slide the monitor into the appropriate viewing angle between 0° and 45°.
3. Tighten the Tilt Adjustment Screw and make sure the monitor can not be moved.

Monitor Removal



Detail B

1. With one person holding the monitor in place, have a second person remove the 5/16-18 Hex Bolt from the mount Pivot Point.
2. Carefully lower the monitor to the ground and remove the mounting plate from the monitor.

LIMITED WARRANTY

LUCASEY MANUFACTURING CORPORATION MAKES NO WARRANTY OF ANY KIND, EXPRESS OR IMPLIED except that the goods sold under this agreement shall be free of defects in materials and workmanship for a period of one year from the user's date of purchase. User assumes all risk and liability resulting from the use of the goods, whether used singly or in combination with other goods. Lucasey Manufacturing Corporation neither assumes nor authorizes any person to assume for it any other liability in connection with the sale or use of the goods sold and there are no oral agreements or warranties collateral to or affecting this limited warranty. Lucasey Manufacturing Corporation will repair or replace defective parts or equipment within one year of the date of purchase, at its option, provided the part or equipment is returned pre-paid to Lucasey Manufacturing Corporation's plant. The repaired or replaced part shall be shipped to the user, FOB Lucasey Manufacturing Corporation's plant. NO allowance for outside labor charges are implied within the terms of this limited warranty. Under no circumstances will Lucasey Manufacturing Corporation be responsible for special, indirect or consequential damages. The remedies set forth in this Limited Warranty are exclusive and the liability of Lucasey Manufacturing Corporation with respect to any contract of sale or anything done in connection therewith, whether in contract, in tort, under any warranty or otherwise shall not, except as expressly provided herein, exceed the price of the equipment or part on which such liability is based. Any damage caused by the improper use, operation beyond capacity, substitution of parts or equipment not approved by Lucasey Manufacturing Corporation, improper packaging, failure to observe installation or other instructions, transit, or repair by one other than Lucasey Manufacturing Corporation, will not be covered by and shall void this Limited Warranty.