

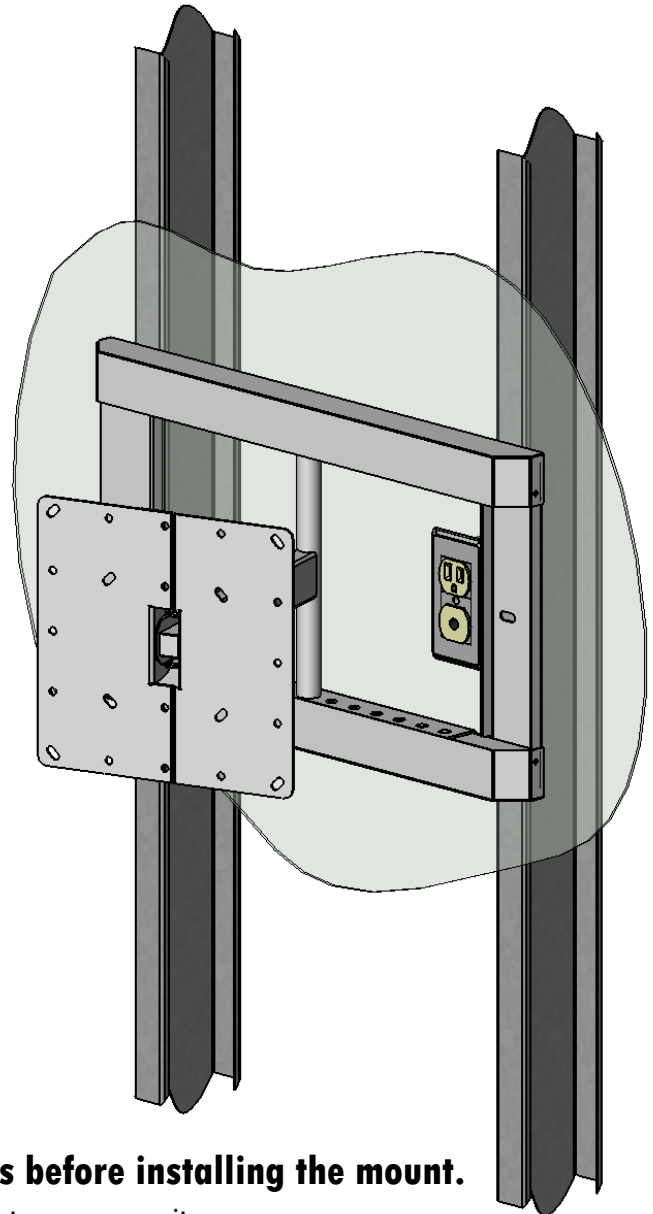
LC200DS1

Double Stud Articulating Wall Mount for Flat Panel Screens up to 60lbs with 100mm or 200mm VESA® Mounting Patterns

A multi-position dual articulating arm for flat screens up to 60 Pounds. Ideal for concealing cord connections in the wall behind the flat screen. Designed to mount to structures with 16" \varnothing wall studs. The monitor can be pushed into or pulled away from the wall as needed. The dual pivot points and relocatable wall arm position allow for flexibility in monitor placement. The viewing angle can be adjusted $\pm 45^\circ$ for the best viewing angle.

Wood lag screws are provided for wood stud installations. Toggle bolts are provided for metal stud installations. Concrete anchor bolts can be ordered separately using part number WMAAB6.

Open pattern of wall plate allows access holes to be cut into wall.



Important! Please read all warnings and cautions before installing the mount.

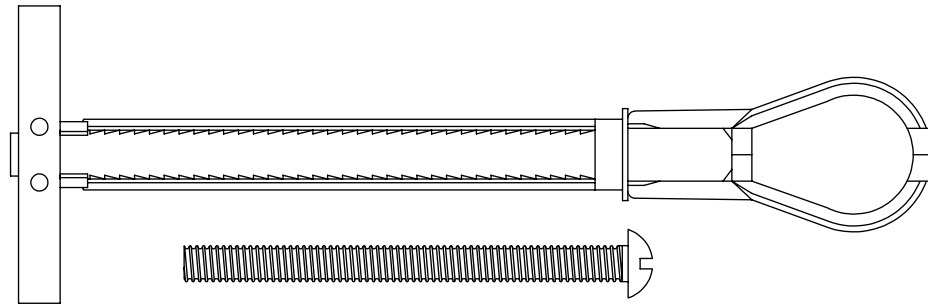
Caution: Improper installation of this wall mount may void the warranty on your monitor.

Caution: Wall attachment should be performed by qualified installers only, using construction methods prescribed by authorized architects or engineers that comply to all applicable codes and standards.

The maximum weight of each monitor to be installed on the LC200DS1 is 60Lbs. (27.3 Kg.)

Inspect all parts to make sure there is no shipping damage. Do not install if any parts are damaged.

Please call 1-800-LUCASEY or 1-510-534-1435 if you have any questions about this installation.



1

METAL STUD
MOUNTING HOLES
WALL BRACKET

Locate metal stud behind wallboard. Place level wall bracket over metal stud aligning holes in plate with centerline of metal stud. Mark location of top hole.

2

METAL WALL STUD
WALLBOARD

Drill 1/2" holes through wall board and centerline of metal stud at top hole mark. (Note: If metal stud bends away from drill bit, a stepped drill bit may be required.)

3

METAL CHANNEL

Bend metal channel on Toggler Bolt and insert metal channel through drilled hole into metal stud.

4

PULL RING

Pull metal channel firmly against inside of metal stud by pulling on the toggler's pull ring.

5

PLASTIC CAP

Slide toggler's plastic cap forward until it is seated flush with the surface of the wallboard (see Figure 6).

6

PLASTIC CAP

7

8

Push up on toggler's upper plastic leg to snap off external portion of leg. Discard leg/pull-ring section.

9

WALL PLATE

Place wall bracket over toggler with top hole in plate aligned with toggler. Insert 1/4-20 screw through hole in plate and into toggler.

10

Tighten screw.

11

MACHINE SCREWS
WALL BRACKET

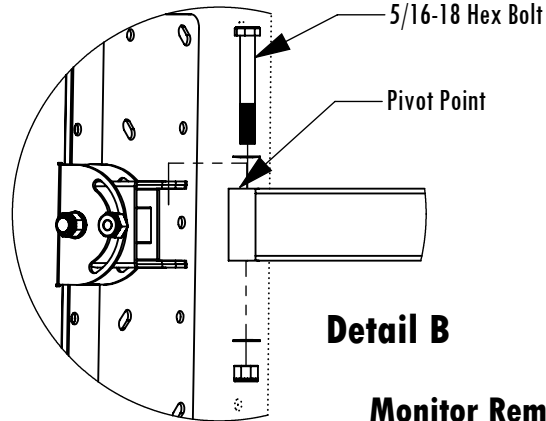
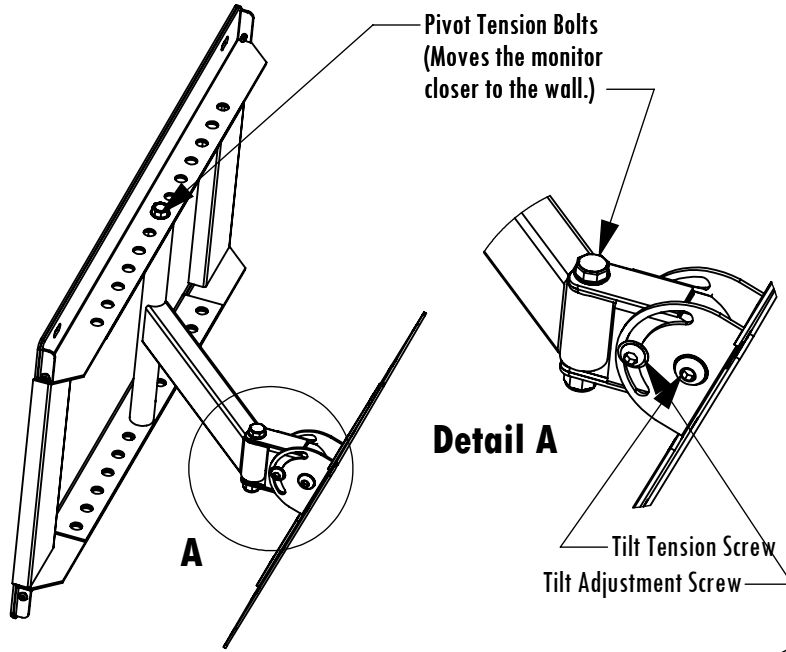
Level wall bracket. Mark locations off remaining two holes. Remove wall plate.

12

Repeat steps 2 through 8 with remaining toggler bolts. After all toggler bolts have been installed. Reposition wall bracket and insert screws into togglers. Start with top hole in mounting bracket. Re-level wall bracket and securely tighten all screws.

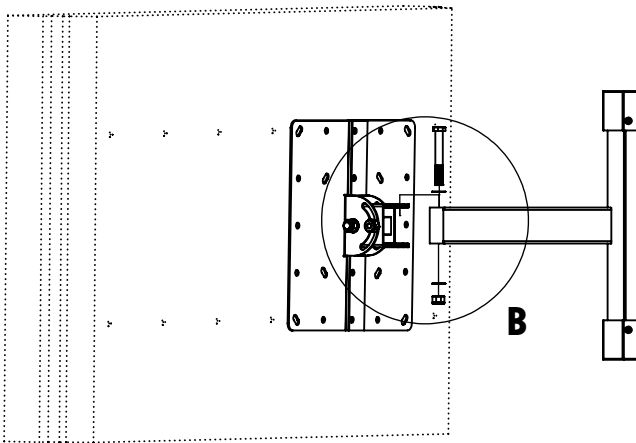
Monitor Tilt & Pivot Adjustment

1. Carefully loosen, but do not remove, the Tilt Tension & Tilt Adjustment Screws. Do not loosen more than is needed to make the monitor moveable. See Detail A.
2. Slide the monitor into the appropriate viewing angle $\pm 45^\circ$.
3. Tighten the Tilt Tension & Tilt Adjustment Screws and make sure the monitor can not be moved.
4. Adjust the pivot to the desired viewing location and tighten the Pivot Tension Bolts as needed to keep the monitor in place.



Monitor Removal

1. With one person holding the monitor in place, have a second person remove the 5/16-18 Hex Bolt from the mount Pivot Point.
2. Carefully lower the monitor to the ground and remove the mounting plate from the monitor.



LIMITED WARRANTY

LUCASEY MANUFACTURING CORPORATION MAKES NO WARRANTY OF ANY KIND, EXPRESS OR IMPLIED except that the goods sold under this agreement shall be free of defects in materials and workmanship for a period of one year from the user's date of purchase. User assumes all risk and liability resulting from the use of the goods, whether used singly or in combination with other goods. Lucasey Manufacturing Corporation neither assumes nor authorizes any person to assume for it any other liability in connection with the sale or use of the goods sold and there are no oral agreements or warranties collateral to or affecting this limited warranty. Lucasey Manufacturing Corporation will repair or replace defective parts or equipment within one year of the date of purchase, at its option, provided the part or equipment is returned pre-paid to Lucasey Manufacturing Corporation's plant. The repaired or replaced part shall be shipped to the user, FOB Lucasey Manufacturing Corporation's plant. NO allowance for outside labor charges are implied within the terms of this limited warranty. Under no circumstances will Lucasey Manufacturing Corporation be responsible for special, indirect or consequential damages. The remedies set forth in this Limited Warranty are exclusive and the liability of Lucasey Manufacturing Corporation with respect to any contract of sale or anything done in connection therewith, whether in contract, in tort, under any warranty or otherwise shall not, except as expressly provided herein, exceed the price of the equipment or part on which such liability is based. Any damage caused by the improper use, operation beyond capacity, substitution of parts or equipment not approved by Lucasey Manufacturing Corporation, improper packaging, failure to observe installation or other instructions, transit, or repair by one other than Lucasey Manufacturing Corporation, will not be covered by and shall void this Limited Warranty.

Protected under one or more of these U.S. Patent numbers: 3,291,432; 3,559,942; 3,724,798; DE.270.689; 4,613,109; 4,878,445; 4,852,842; DE.309,562,497,023; 5,169,114; 5,255,884; 5,310,132; 5,522,576; 5,621,614; Re.35,677; DE.398,834; 5,826,384; 5,941,499; 5,944,088; 6,040,461; 6,102,398; 6,158,704; 6,454,118; 6,761,276; 6,806,028; 1