

LC200DS2

ARTICULATING WALL MOUNT FOR FLAT SCREENS UP TO 32"

Heavy duty double stud wall mount with triple pivot arms allows you to position the flat screen in hard to reach areas. Fits up to 200mm x 200mm VESA® mounting patterns. Allows landscape or portrait mounting. For wood, metal or concrete wall applications.

- Carton Dimensions:
21" L x 13-1/2" W x 4" H
- Projection from wall: 3"-25"
- Gloss Black or Silver finish

Load Limit	Swivel	Tilt	Ship. Wt.
75 lbs	180°	±45°	15.3 lbs

 **LUCASEY**[®]
MOUNTING SYSTEMS

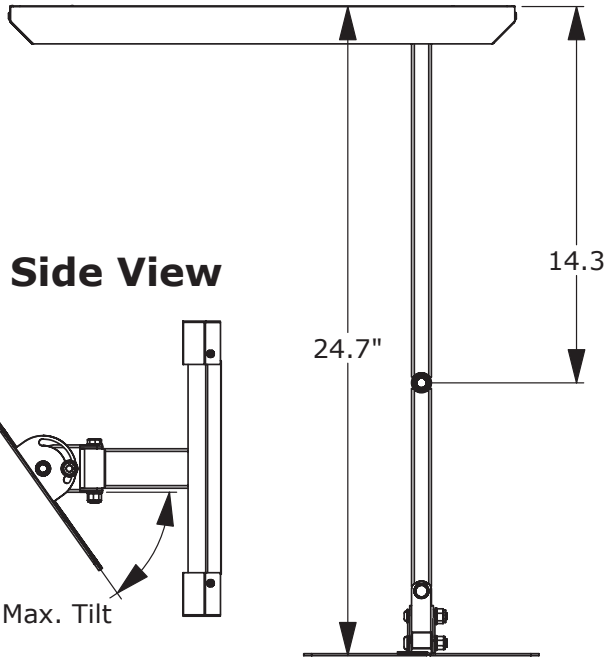
The Installers Choice

2744 East Eleventh Street
Oakland, CA 94601
1•800•LUCASEY or 510•534•1435
www.lucasey.com

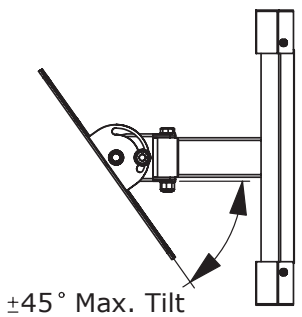
LC200DS2

Product Data Sheet

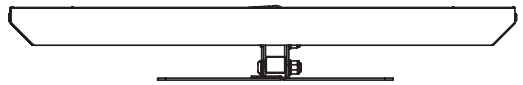
Top View (Fully Extended)



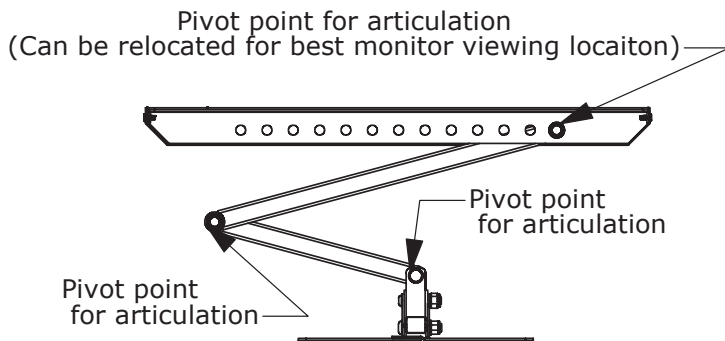
Side View



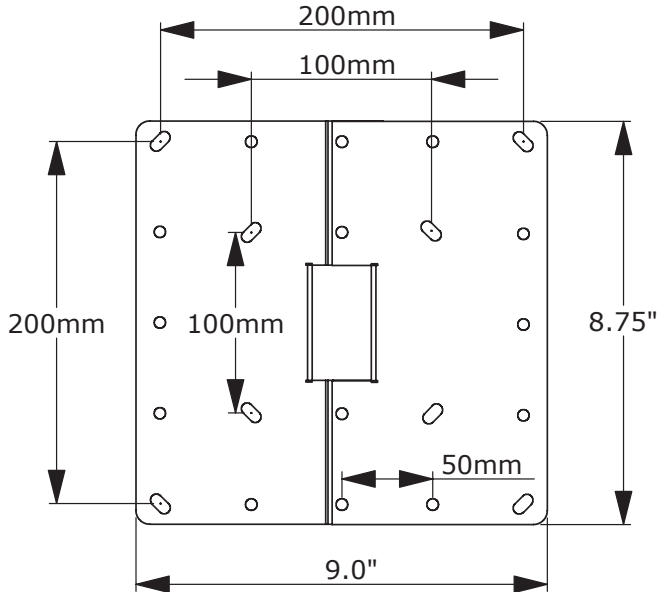
Top View (Fully Retracted)



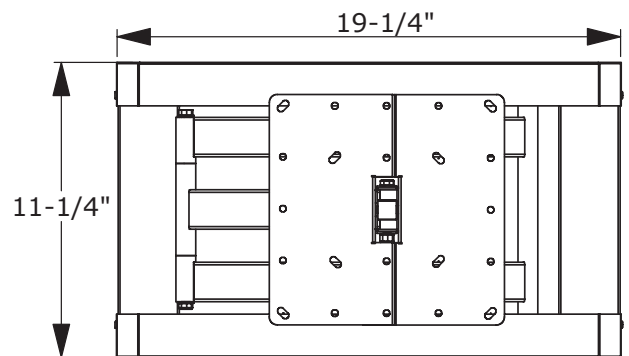
Top View



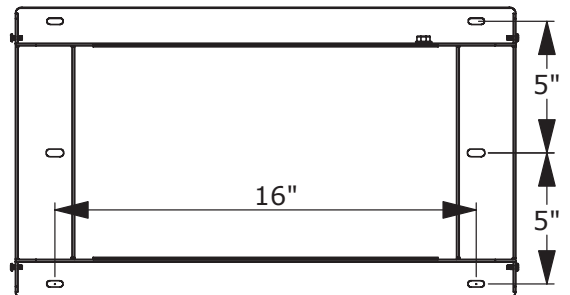
VESA Mounting Plate



Front View



Wall Mounting Frame



Visit lucasey.com for full product line details and technical info

Protected under one or more of these U.S. patent numbers: 3,291,432; 3,559,942; 3,724,798; DES.270,689; 4,613,109; 4,852,842; 4,878,645; DES.309,562; 4,973,023; DES.322,210; 5,169,114; 5,255,884; 5,310,152; 5,522,576; 5,621,614; Re.35,677; DES.398,834; 5,826,384; 5,941,492; 5,964,068; 6,060,661; 6,102,348; 6,158,704; 6,454,116B1; 6,761,276B2; 6,806,425B1; 6,926,244B1; 6,964,399B1; 6,988,698B2; 6,988,714B2.

© 2009 LUCASEY MANUFACTURING CORPORATION, Oakland, California. All rights reserved.