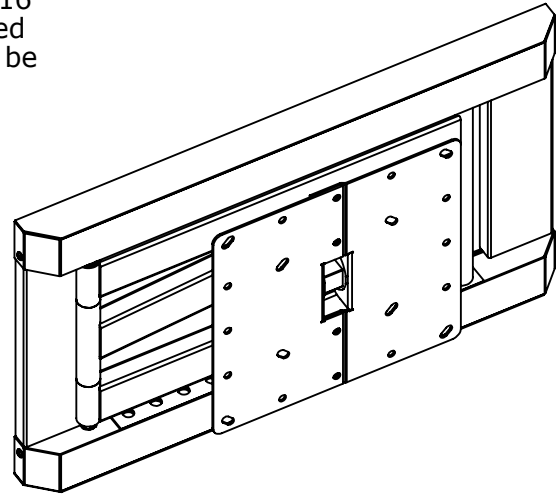




LC200DS2 Articulating Wall Mount for Flat Screens up to 75lbs
with Triple Pivot Points and Double Stud Frame
for VESA 100mm & 200mm Mounting Patterns

The LC200DS2 Multi-position triple pivoting arms allows the monitor to be positioned in hard to reach areas. Use the LC200DS2 with flat screens up to 75 Pounds. Ideal for concealing cord connections in the wall behind the flat screen. Designed to mount to structures with 16" \varnothing wall studs. The monitor can be pushed into or pulled away from the wall as needed. The viewing angle can be adjusted $\pm 45^\circ$ for the best viewing angle.



Features:

Available in black and silver finishes

Fits flat panel monitors under 75lbs (34.1kg)

Universal mounting pattern fits 100mm x 100mm & 200mm x 200mm VESA compatible monitors

Open pattern of wall plate allows access holes to be cut into wall for wiring behind monitor.

Optional Accessories:

WMATB6 - Toggle Bolt Kit for Metal Studs

WMAAB6 - Concrete Anchor Bolt Kit

Maximum Load Limit:

75lbs (34.1kg)

Product Weight:

13.3lbs (6.0kg)

Shipping Weight:

15.3lbs (7.0kg)

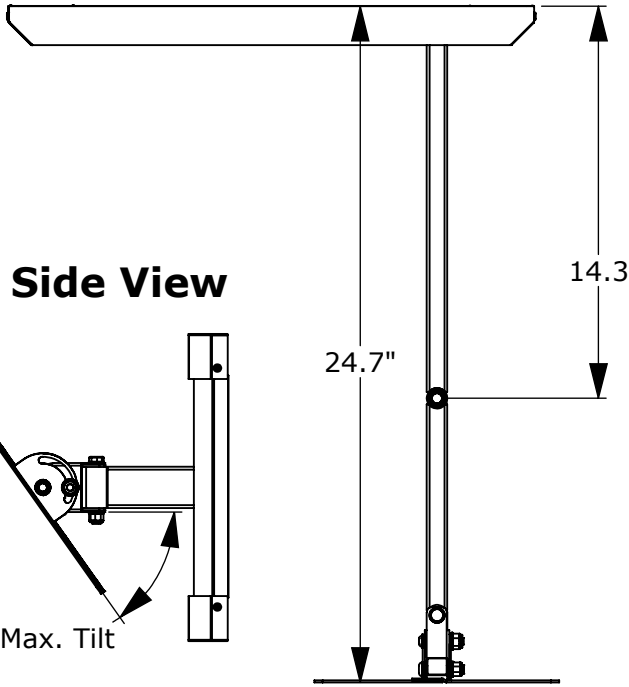
Carton Dimensions:

21"L x 13-1/2"W x 4"H

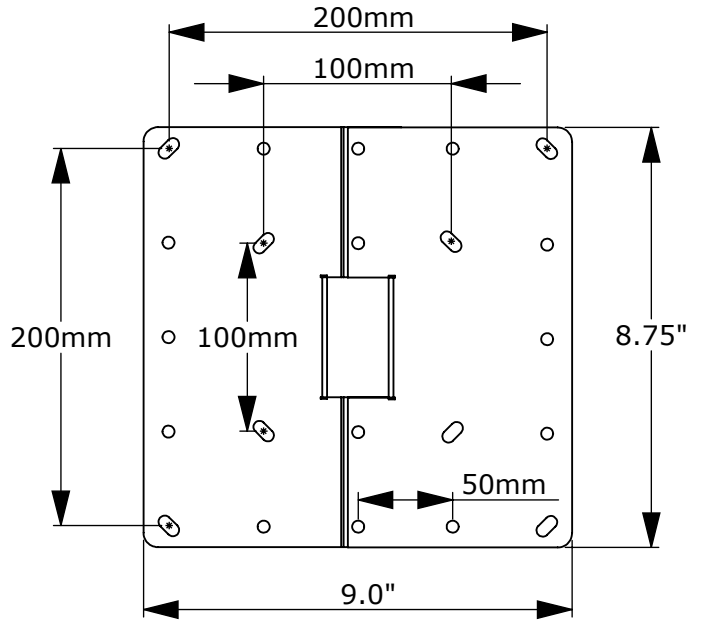
Architectural Specification: The Articulating Wall Mount shall be Lucasey model LC200DS2 and shall be located where indicated on the plans. It shall feature monitor attaching plates included compatible with VESA 100mm and 200mm mounting patterns. Assembly and installation shall be done according to instructions provided by the manufacturer.



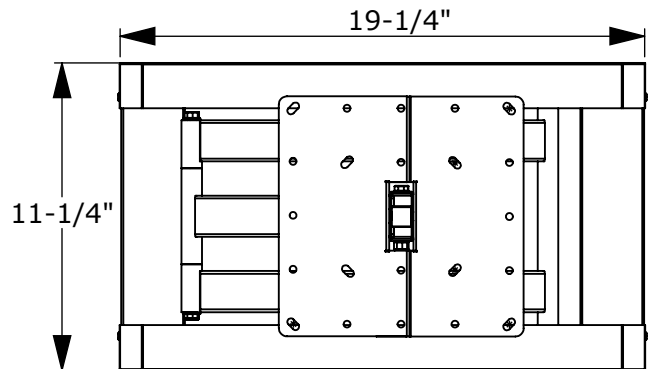
Top View (Fully Extended)



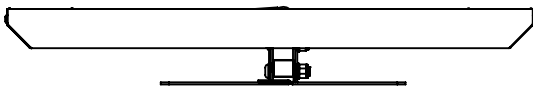
VESA Mounting Plate



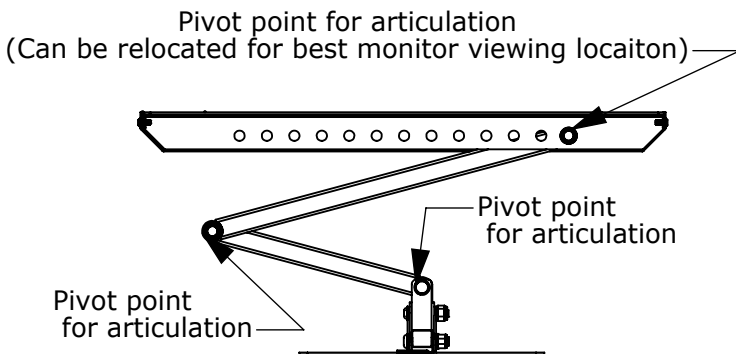
Front View



Top View (Fully Retracted)



Top View



Wall Mounting Frame

