



LC200WP

**PIVOTING WALL MOUNT
FOR FLAT SCREENS UP TO 32"**



The LC200WP attaches to small and medium size flat screens up to 32" with 100mm or 200mm mounting patterns. The pivot point at the wall and projection allows the monitor to be pivoted from left to right for the optimum viewing angle. The mount allows for tilt adjustment both up and down 45°. Wood lag screws are provided for quick and easy installation into a single wall stud.

- Carton Dimensions: 15" L x 12" W x 8" H
- Projection from wall: 6-1/4"
- Gloss Black or Silver finish

Load Limit	Swivel	Tilt	Ship. Wt.
50 lbs	180°	±45°	4.25 lbs

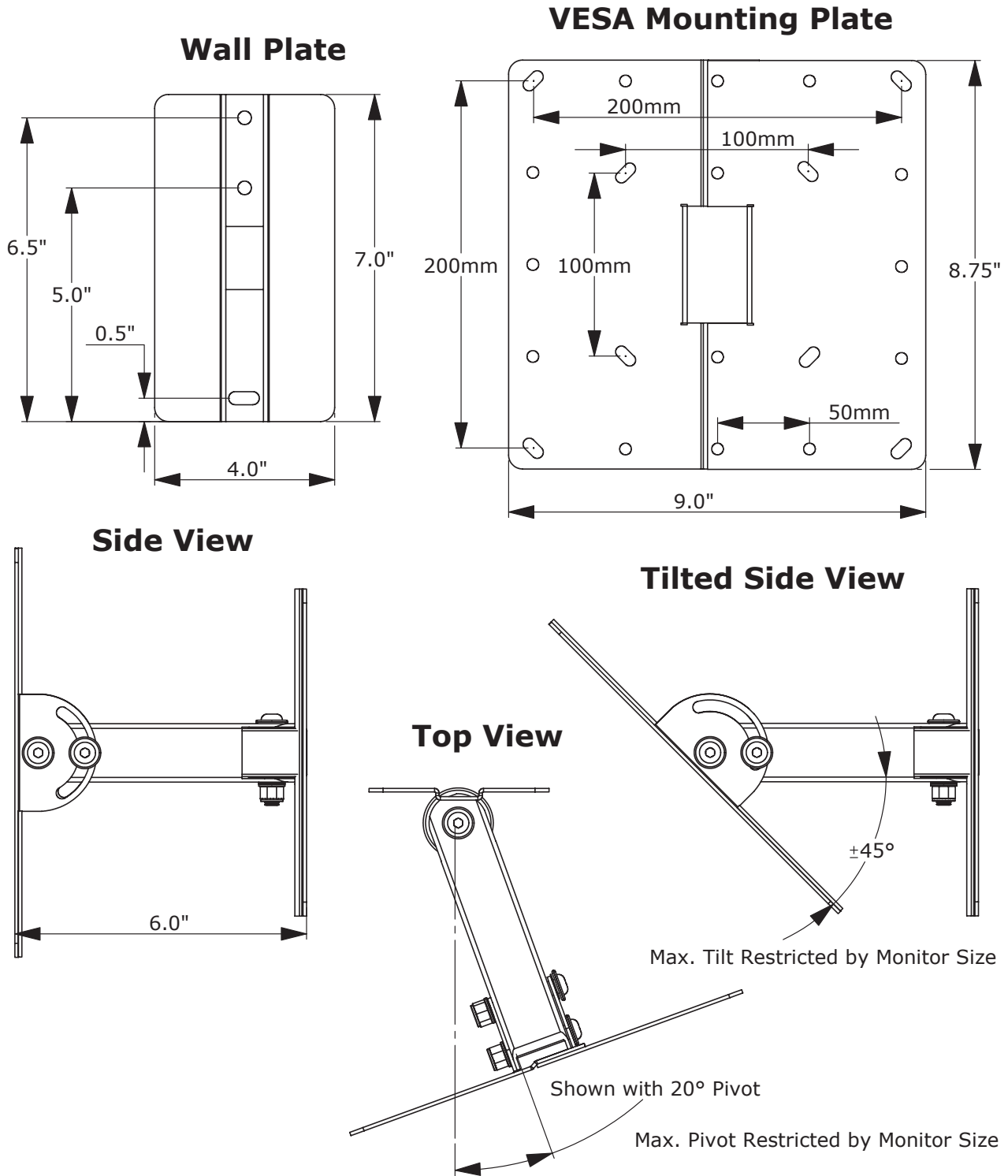


The Installers Choice

2744 East Eleventh Street
Oakland, CA 94601
1•800•LUCASEY or 510•534•1435
www.lucasey.com

LC200WP

Product Data Sheet



Visit lucasey.com for full product line details and technical info

Protected under one or more of these U.S. patent numbers: 3,291,432; 3,559,942; 3,724,798; DES.270,689; 4,613,109; 4,852,842; 4,878,645; DES.309,562; 4,973,023; DES.322,210; 5,169,114; 5,255,884; 5,310,152; 5,522,576; 5,621,614; Re.35,677; DES.398,834; 5,826,384; 5,941,492; 5,964,068; 6,060,661; 6,102,348; 6,158,704; 6,454,116B1; 6,761,276B2; 6,806,425B1; 6,926,244B1; 6,964,399B1; 6,988,698B2; 6,988,714B2.

© 2009 LUCASEY MANUFACTURING CORPORATION, Oakland, California. All rights reserved.