



**LC200WS** Security Wall Mount for Flat Screens up to 35lbs  
VESA 100mm & 200mm Mounting Patterns

The LC200WS attaches to small and medium size flat screens up to 35lbs with 100mm or 200mm mounting patterns. The pivot points, wood lag screws and monitor attaching screws are all using security hardware that require special security tools to install and adjust the mount. The pivot point at the wall and projection allow the monitor to be pivoted from left to right for the best viewing angle. The mount allows for tilt adjustment both up and down  $\pm 45^\circ$ .

**Features:**

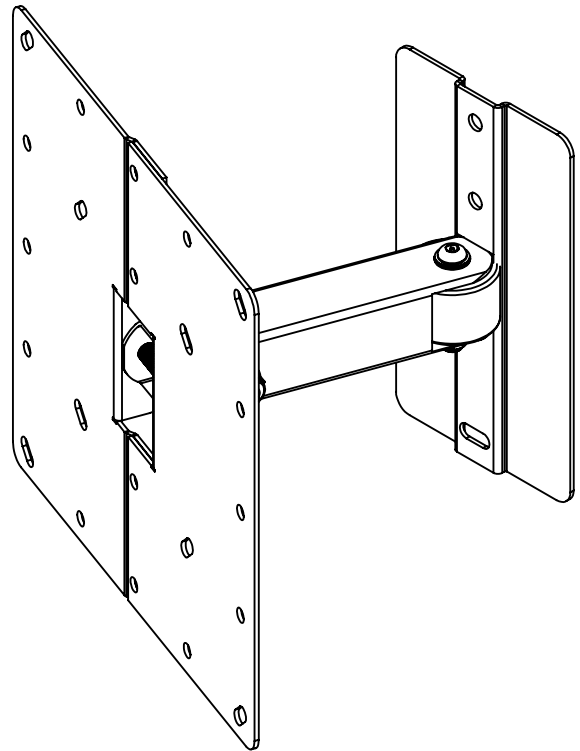
Available in black and silver finishes

Universal mounting pattern fits 100mm & 200mm VESA compatible monitors

Pivots at the wall for left to right viewing angle adjustment

Tilts up and down up to  $\pm 45^\circ$

4mm monitor attaching security screws are provided.



**Optional Accessories:**

- LCDSTK - Security Tool Kit  
(Required for Installation & Adjustment)
- WMATB3 - Metal Stud Toggle Bolt Kit
- WMAAB3 - Concrete Anchor Bolt Kit
- LCAPDVD2 - Hanging DVD Mount

**Maximum Load Limit:**

35lbs (15.9kg)

**Product Weight:**

3.3lbs (1.5kg)

**Shipping Weight:**

8.5lbs (3.9kg) (2 per Box)

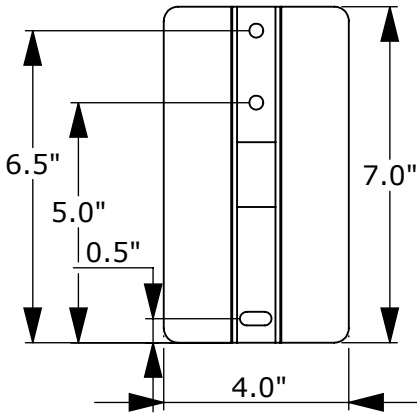
**Carton Dimensions:**

15"L x 12"W x 8"H (2 per Box)

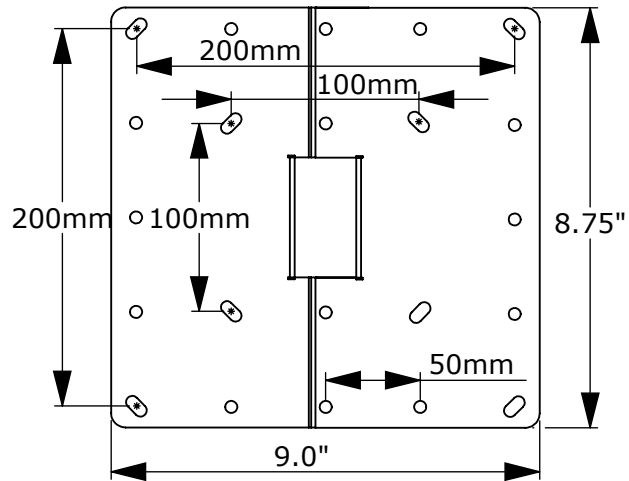
Architectural Specification: The Security Wall Mount shall be Lucasey model LC200WS and shall be located where indicated on the plans. It shall feature monitor attaching plates included compatible with VESA 100mm and 200mm mounting patterns. Assembly and installation shall be done according to instructions provided by the manufacturer.



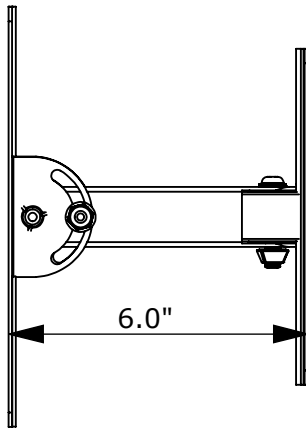
**Wall Plate**



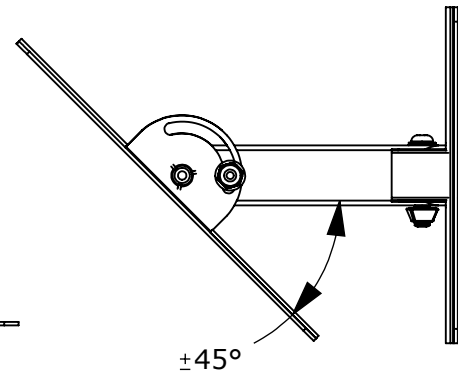
**VESA Mounting Plate**



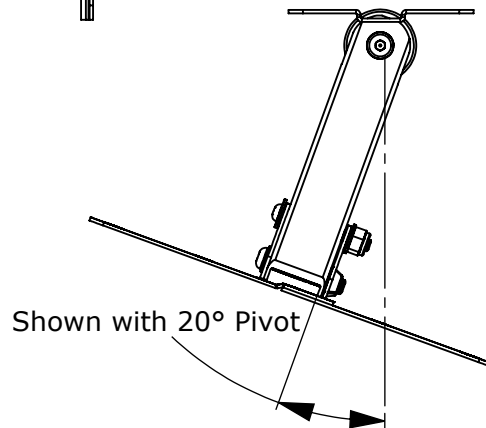
**Side View**



**Tilted Side View**



**Top View**



Max. Tilt Restricted by Monitor Size

Max. Pivot Restricted by Monitor Size