



**LC200WT**

## **TILTING SECURITY WALL MOUNT FOR FLAT SCREENS UP TO 32"**



This security wall mount provides tilting from 0 to 8 degrees while projecting from the wall only 2-1/2 inches. VESA® mounting patterns of: 200mm x 100mm and 100mm x 100mm. The wall plate has cutouts for A/V and electrical wiring in the wall.

- Carton Dimensions:  
10" L x 12" W x 3" H
- Gloss Black or Silver finish.

Load Limit	Tilt	Projection	Ship. Wt.
50 lbs	0°-8°	2-1/2"	3.5 lbs

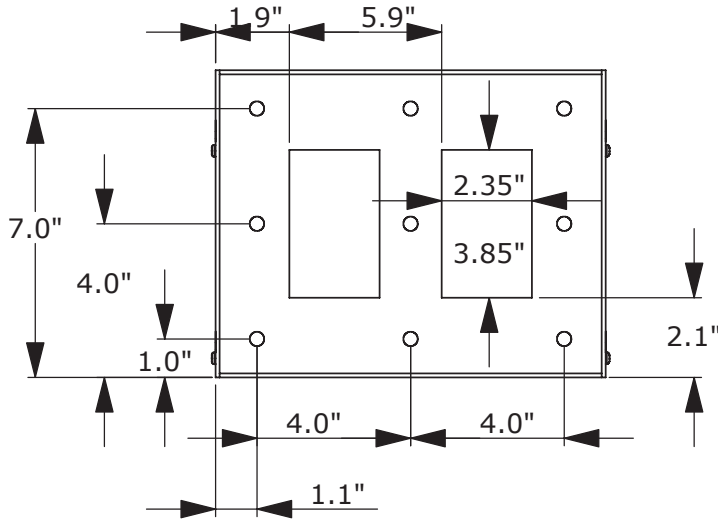
 **LUCASEY**®  
MOUNTING SYSTEMS  
*The Installers Choice*

2744 East Eleventh Street  
Oakland, CA 94601  
1•800•LUCASEY or 510•534•1435  
[www.lucasey.com](http://www.lucasey.com)

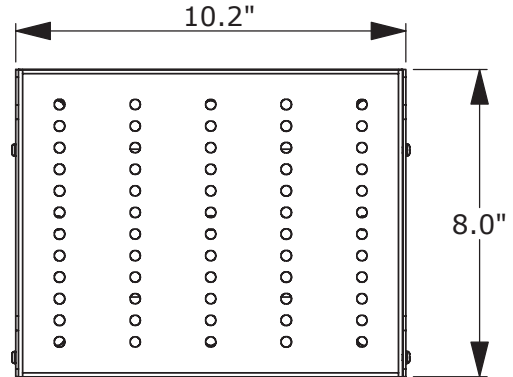
# LC200WT

## Product Data Sheet

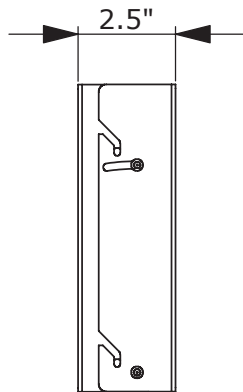
### Wall Plate



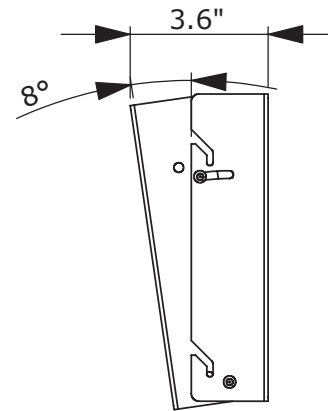
### VESA Mounting Plate



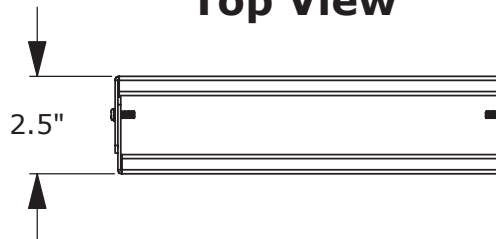
### Side View



### Tilted Side View



### Top View



Visit [lucasey.com](http://lucasey.com) for full product line details and technical info

Protected under one or more of these U.S. patent numbers: 3,291,432; 3,559,942; 3,724,798; DES.270,689; 4,613,109; 4,852,842; 4,878,645; DES.309,562; 4,973,023; DES.322,210; 5,169,114; 5,255,884; 5,310,152; 5,522,576; 5,621,614; Re.35,677; DES.398,834; 5,826,384; 5,941,492; 5,964,068; 6,060,661; 6,102,348; 6,158,704; 6,454,116B1; 6,761,276B2; 6,806,425B1; 6,926,244B1; 6,964,399B1; 6,988,698B2; 6,988,714B2.

© 2009 LUCASEY MANUFACTURING CORPORATION, Oakland, California. All rights reserved.