



LC200WT - Tilting Wall Mount for Flat Screens up to 50lbs VESA 100mm & 200mm Mounting Patterns

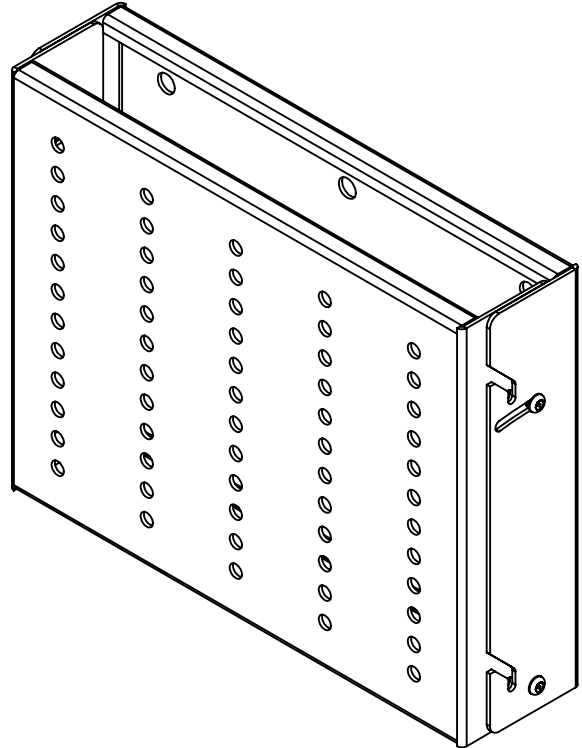
The LC200WT attaches to small and medium size flat screens up to 50lbs with 200mm x 100mm or 100mm x 100mm mounting patterns. The mount allows for tilt adjustment both up to 8° while providing security. Security screws on the side of the mount require a special security tool to release. The monitor attaching screws and screws into the wall are trapped between the two mounting plates

Features:

Available in black and silver finishes

Universal mounting pattern fits 200mm x 100mm & 100mm x 100mm VESA compatible monitors

Tilts up to 8°



Optional Accessories:

WMATB3 - Metal Stud Toggle Bolt Kit
WMAAB3 - Concrete Anchor Bolt Kit

Maximum Load Limit:

50lbs (22.7kg)

Product Weight:

3.3lbs (1.5kg)

Shipping Weight:

3.5lbs (1.6kg)

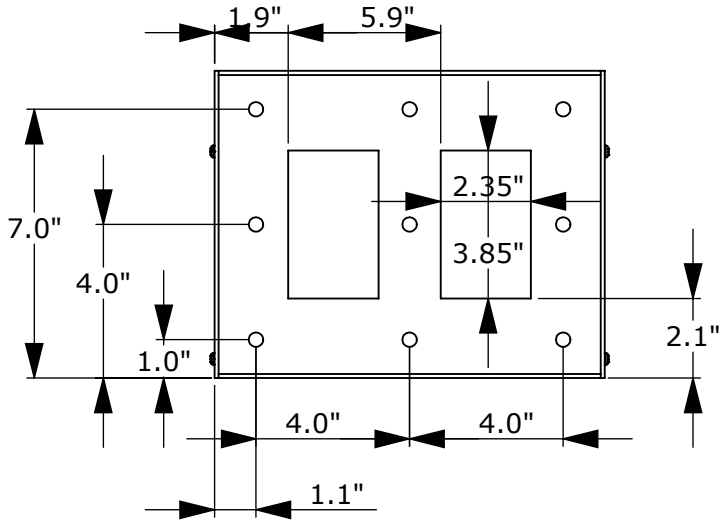
Carton Dimensions:

10"L x 12"W x 3"H

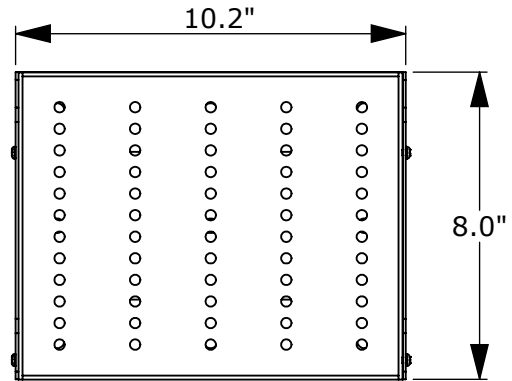
Architectural Specification: The Tilting SecurityWall Mount shall be Lucasey model LC200WT and shall be located where indicated on the plans. It shall feature monitor attaching plates included compatible with VESA 100mm and 200mm mounting patterns. Assembly and installation shall be done according to instructions provided by the manufacturer.



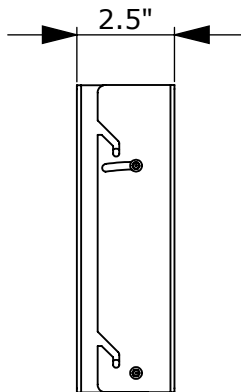
Wall Plate



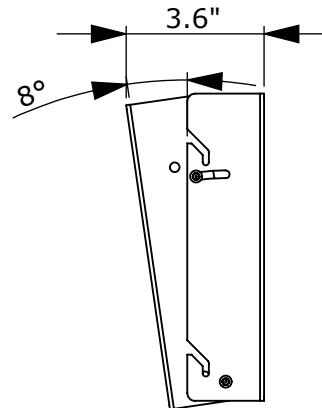
VESA Mounting Plate



Side View



Tilted Side View



Top View

