



LC4X3WS - Wafer Thin Profile Wall Mount with Security
for Flat Screens up to 200lbs
fits VESA[®] Patterns 100mm, 200mm,
300mm & up to 400mm x 300mm

The LC4X3WS attaches to flat screens up to 200lbs with 100mm, 200mm, 300mm or up to 400mm x 300mm mounting patterns. The wafer thin profile of the mount projects from the wall only 5/8". A security screw is provided to lock the wall plate to the monitor mounting plate. Wood lag screws are provided for quick and easy installation into two studs.

Features:

Available in durable powder coated black finish

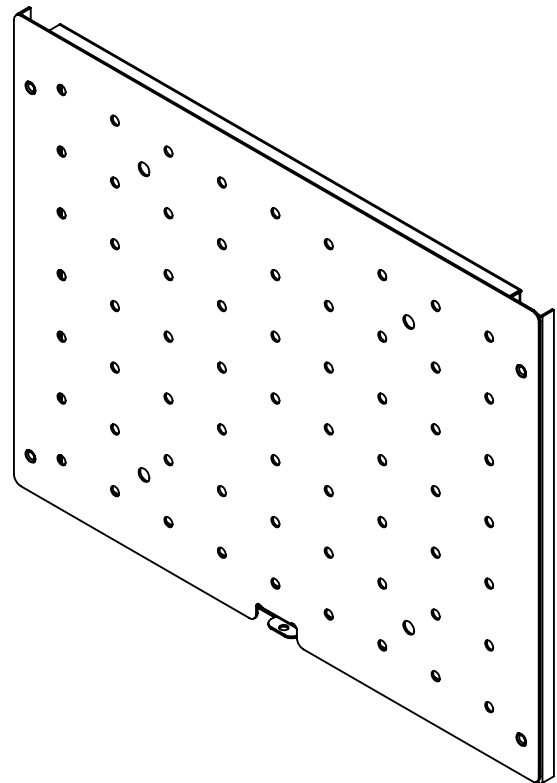
Fits up to 200lbs Flat Screens

Universal mounting pattern fits 100mm, 200mm, 300mm & up to 400mm x 300mm in 50mm increments to fit VESA[®] compatible monitors. Larger or irregular patterns can be accommodated using an additional adapter plate

Security screw provided to join wall plate to VESA mounting plate.

Open wall plate allows for electrical and A/V junction boxes behind the monitor.

Gap between plates allows for very clean looking wiring in the wall.



Maximum Load Limit:

200lbs (90.9 kg)

Product Weight:

15.0lbs (6.8 kg)

Shipping Weight:

16.5lbs (7.5 kg)

Carton Dimensions:

20"L x 16"W x 1"H

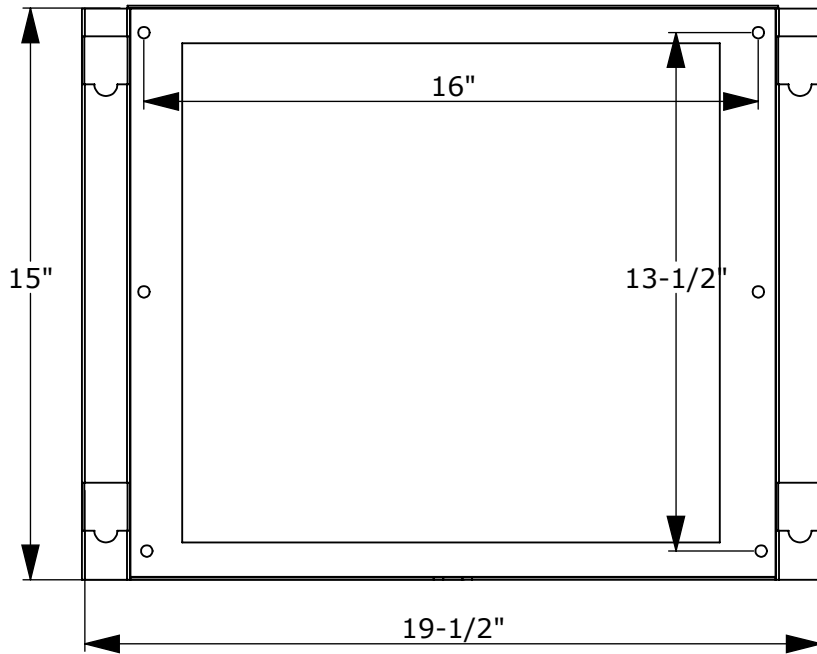
Optional Accessories:

- WMATB6 - Metal Stud Toggle Bolt Kit
- WMAAB6 - Concrete Anchor Bolt Kit

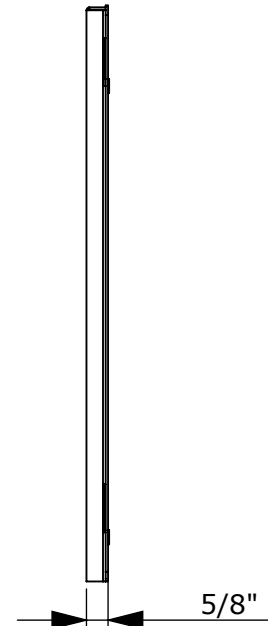
Architectural Specification: The Wafer Thin Profile Wall Mount shall be Lucasey model LC4X3WS and shall be located where indicated on the plans. It shall feature monitor attaching plates included compatible with VESA 100mm, 200mm 300mm or 400mm x 300mm mounting patterns. Assembly and installation shall be done according to instructions provided by the manufacturer.



LC4X3WS Wall Plate



**Wafer Thin Profile
Side View**



LC4X3WS VESA[®] Mounting Plate

