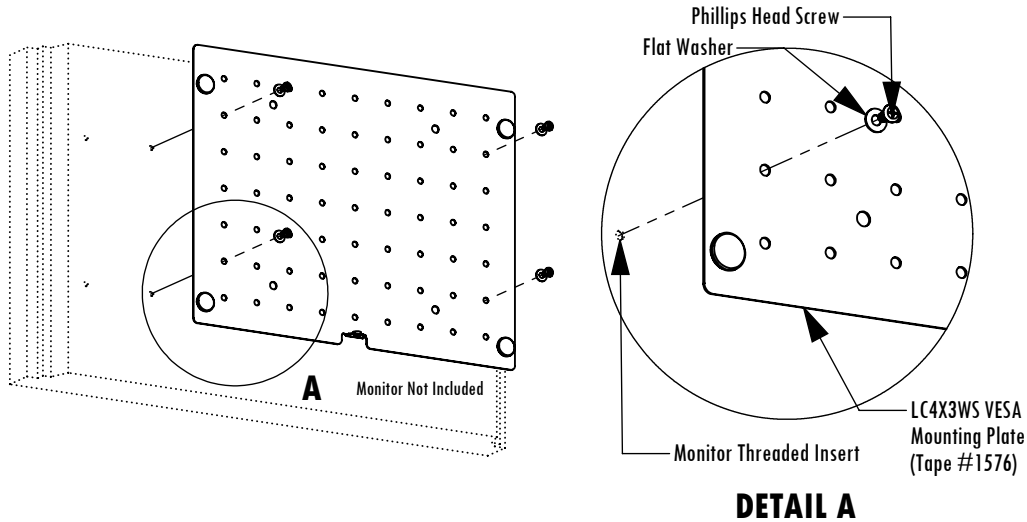


LC4X3WS Slim Profile Flat Screen Security Wall Mount

Direct Monitor Attachment

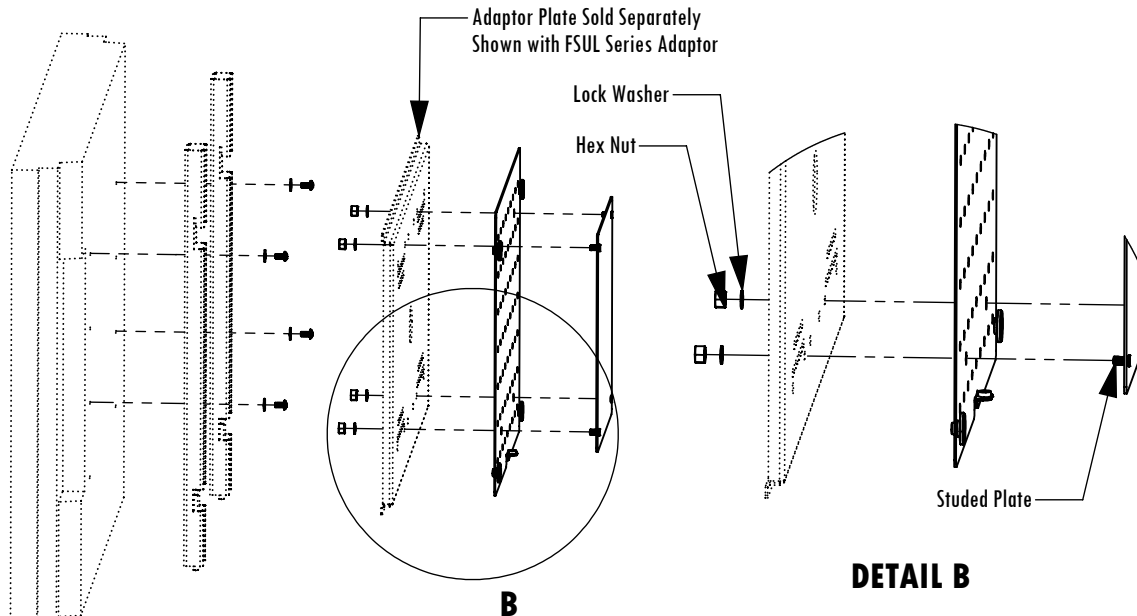


Determine which type of monitor attaching hardware is required for the monitor as specified by the monitor manufacturer. Various sizes of monitor attaching screws are provided for convenience (See the Hardware List below) If mounting the monitor directly to the LC4X3WS VESA Mounting Plate, follow the Direct Monitor Attachment instructions. If mounting the monitor using an Adaptor Plate, follow the Monitor Attachment with Adaptor Plate instructions.

Direct Monitor Attachment

Use fasteners as specified by the monitor manufacturer to attach the monitor directly to the LC4X3WS VESA Mounting Plate. (DETAIL A)

Monitor Attachment with Adaptor Plate



Monitor Attachment with Adaptor Plate

Secure the Adaptor Plate to the LC4X3WS VESA Mounting Plate with the provided hex bolts, nuts, and washers. (DETAIL B) Refer to the specific Adaptor Plate instructions to attach the adaptor plate to the monitor.

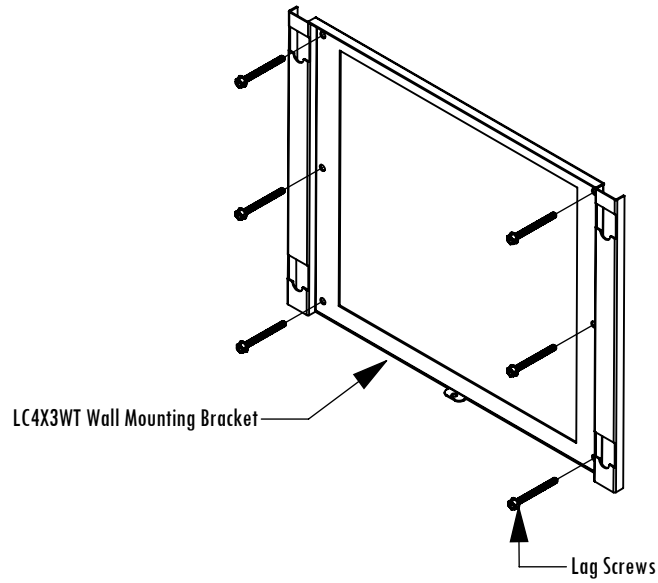
Hardware List

- 6 ... #14 x 2-1/2" HWH Lag Screws
- 4 ... 5/16" Lock Washers, Black
- 4 ... 5/16-18 Hex Nuts, Black
- 1 ... #10-24 x 1" Machine Screw
- 1 ... #10-24 x 1" Button Pin Head Security Screw

- | | | | |
|--------------------------------|---|-----------------------|----|
| 4mm x 25mm Set Screws ... | 4 | 4mm Hex Nuts ... | 8 |
| 5mm x 30mm Set Screws ... | 4 | 5mm Hex Nuts ... | 8 |
| 6mm x 30mm Set Screws ... | 4 | 6mm Hex Nuts ... | 8 |
| 4mm x 12mm Phillips Screws ... | 4 | 5mm Flat Washers ... | 12 |
| 5mm x 12mm Phillips Screws ... | 4 | 1/4" Flat Washers ... | 12 |
| 6mm x 12mm Phillips Screws ... | 4 | | |

Protected under one or more of these U.S. Patent numbers: 3,291,432; 3,559,942; 3,724,798; DES-270,689; 4,613,109; 4,878,645; 4,862,842; DES-309,624; 973,023; 5,169,114; 5,255,884; 5,310,152; 5,522,576; 5,621,614; Re.35,677; DES-398,834; 5,826,384; 5,941,892; 5,964,068; 6,060,861; 6,102,398; 6,158,704; 6,454,116B1; 6,761,276B2; 6,806,425B1

LC4X3WS Slim Profile Flat Screen Security Wall Mount

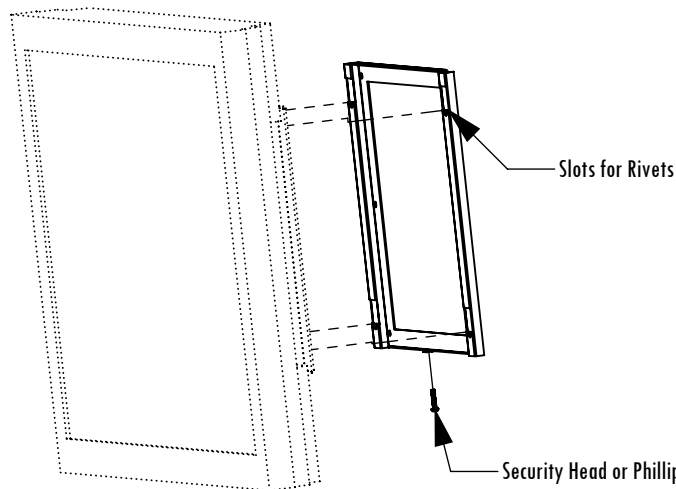


Wood Lag Screws are provided for wood stud installations. For concrete or metal studs, use the WMAAB6, concrete anchor bolt kit, or the WMATB6, toggler bolt kit, (sold separately) and follow the instructions specific to these fasteners.

Attaching Wall Mounting Bracket

1. After determining the best possible viewing location on the wall, find the middle of two wood studs in the wall on 16" centers.
2. Use the LC4X3WS Wall Mounting Bracket as a template to mark the locations for six wood screw pilot holes.
3. Drill the pilot holes using a 1/8" drill bit, 2-3/4" deep.
4. Attach the LC4X3WS Wall Mounting Bracket to the wall using the six provided Lag Screws.

Attaching Monitor to Wall Mounting Bracket



Attaching Monitor to Wall Mounting Bracket

1. Raise the monitor with attached brackets to the LC4X3WS Wall Mounting Bracket and slip the rivets of the LC4X3WS VESA Mounting Plate into the slots on the LC4X3WS Wall Mounting Bracket.
2. Screw the LC4X3WS Wall Mounting Bracket to the LC4X3WS VESA Mounting Plate with the provided Machine Screw.

Note: The security screw with a pin head can be substituted for the machine screw in step 2 for greater security. This screw requires a special socket tool for installation and removal, SH10ASKT (Sold Separately)