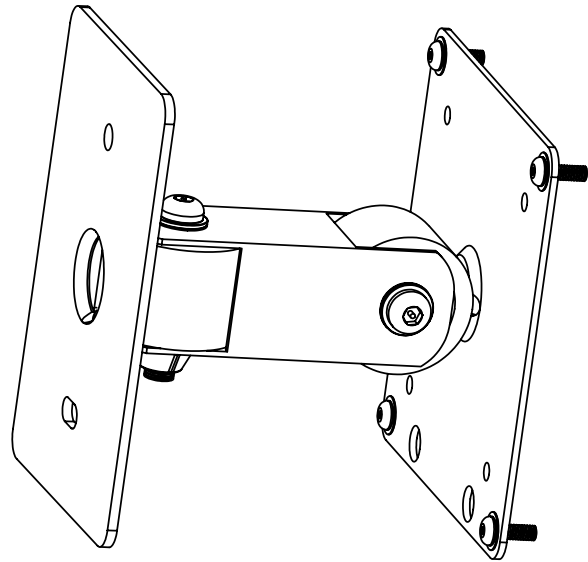




LCDU375S Pivoting Wall Mounts for Flat Screens up to 21"
 & with Security Hardware
LCDU550S VESA 75mm & 100mm Mounting Patterns

The LCDU375S & LCDU550S pivoting wall mounts attach to small flat screens up to 21" with 75mm or 100mm mounting patterns. The mounts are assembled with security hardware to prevent monitor theft. They project from the wall 3-3/4" or 5-1/2" to allow for pivoting and tilting. Both the pivot and tilt points can rotate up to 180° or to the maximum range the monitor size will allow. Wood lag screws are provided for quick and easy installation into a single wall stud.



Features:

Available in black and silver finishes

Fits from up to 21" flat panel monitors under 20Lbs. (9.1 Kg.)

Universal mounting pattern fits 75mm x 75mm & 100mm x 100mm VESA compatible monitors

Optional Accessories:

LCDSTK - Security Tool Kit
(Required for Installation & Adjustment)

Maximum Load Limit:

20 Lbs. (9.1 Kg.)

Product Weight:

2.8 Lbs. (1.3 Kg.)

Shipping Weight:

5.8 Lbs. (2.6 Kg.) (2 per Box)

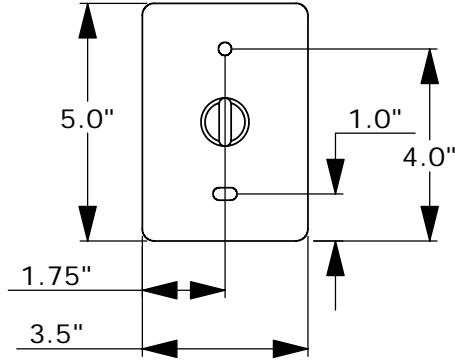
Carton Dimensions:

7"L x 7"W x 7"H (2 per Box)

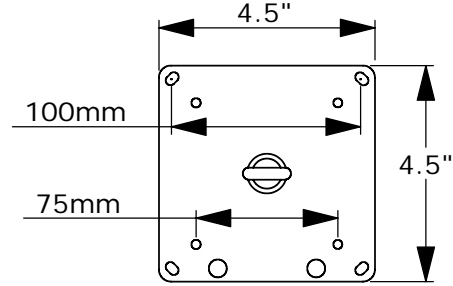
Architectural Specification: The Pivoting Wall Mount shall be Lucasey model LCDU375S or LCDU550S and shall be located where indicated on the plans. It shall feature monitor attaching plates included compatible with VESA 75mm x 75mm and 100mm x 100mm mounting patterns. Assembly and installation shall be done according to instructions provided by the manufacturer.



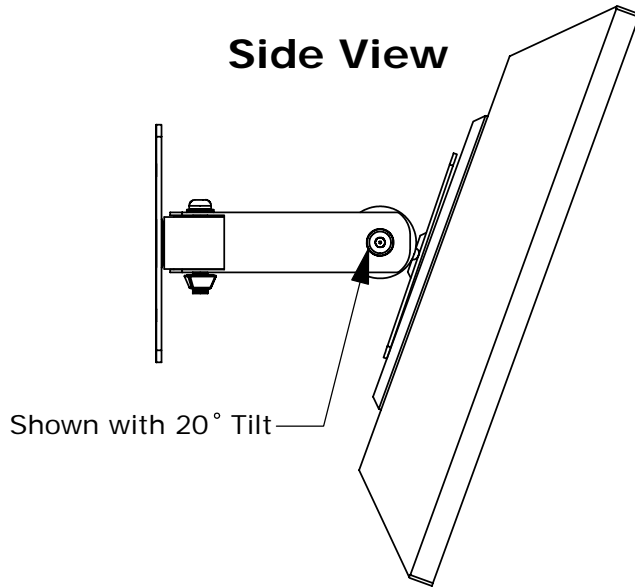
Wall Plate



**VESA Mounting Plate
75mm & 100mm**

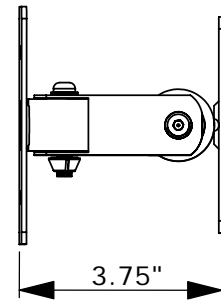


Side View

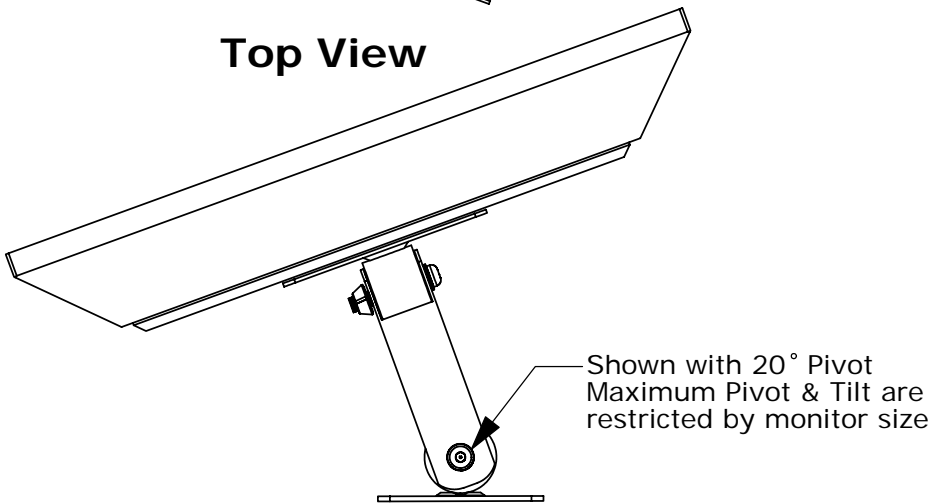


Side View

LCDU375S



Top View



Side View

LCDU550S

