



LCDU375W
LCDU550W

WALL MOUNTS FOR FLAT SCREENS UP TO 21"



Compact dual pivoting action wall mounts up to 21" flat screen monitors. Universal 75mm and 100mm square VESA® pattern compatible. For wood, metal, or concrete wall mounting application. Wood lag screws are provided for quick and easy installation into a single wall stud.

- Carton Dimensions:
7" L x 7" W x 7" H
- Projection from wall:
LCDU375W: 3-3/4"
LCDU550W: 5-1/2"
- Gloss Black or Silver finish

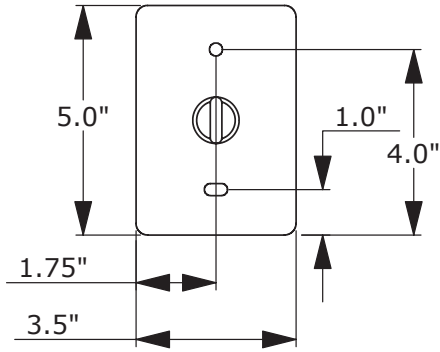
Load Limit	Swivel	Tilt	Ship. Wt.
20 lbs	180°	±45°	3 lbs

 **LUCASEY**[®]
MOUNTING SYSTEMS
The Installers Choice

2744 East Eleventh Street
Oakland, CA 94601
1•800•LUCASEY or 510•534•1435
www.lucasey.com

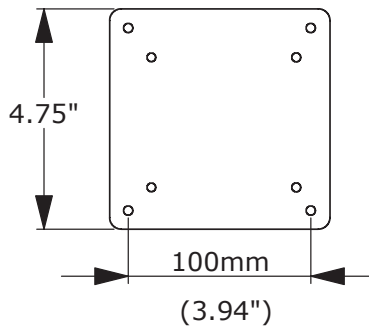
LCDU375W and LCDU550W Product Data Sheet

Wall Plate



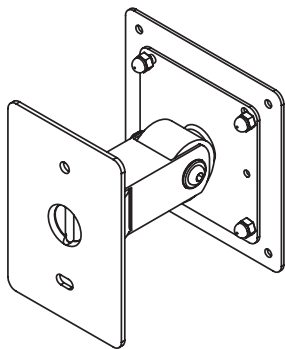
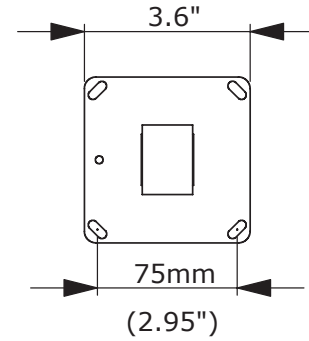
Back View

100mm Plate



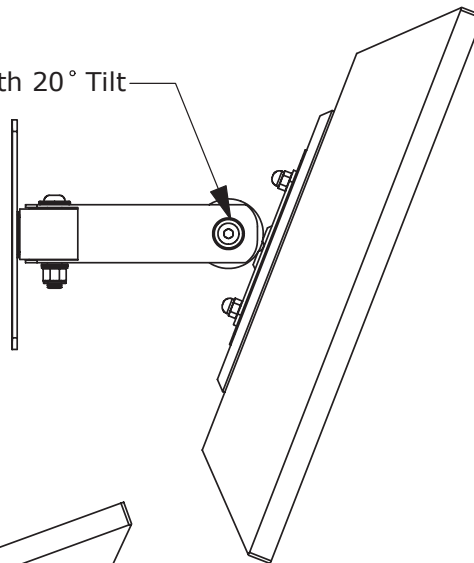
Side View

75mm Plate



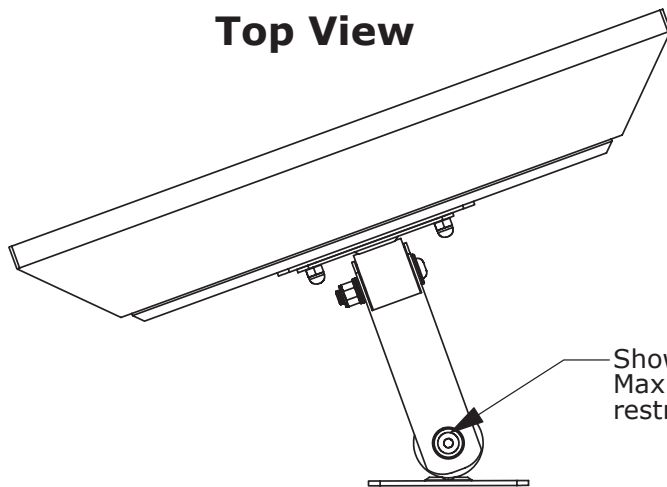
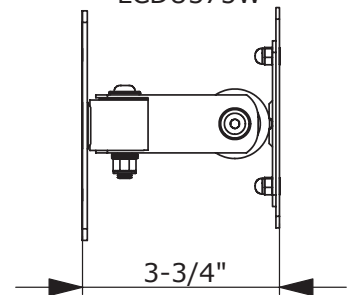
Top View

Shown with 20° Tilt



Side View

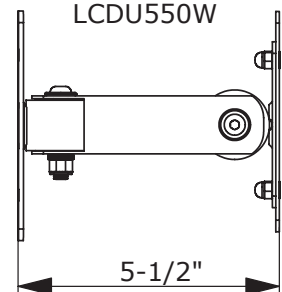
LCDU375W



Shown with 20° Pivot
Max. Pivot & Tilt are
restricted by monitor size

Side View

LCDU550W



Visit lucasey.com for full product line details and technical info

Protected under one or more of these U.S. patent numbers: 3,291,432; 3,559,942; 3,724,798; DES.270,689; 4,613,109; 4,852,842; 4,878,645; DES.309,562; 4,973,023; DES.322,210; 5,169,114; 5,255,884; 5,310,152; 5,522,576; 5,621,614; Re.35,677; DES.398,834; 5,826,384; 5,941,492; 5,964,068; 6,060,661; 6,102,348; 6,158,704; 6,454,116B1; 6,761,276B2; 6,806,425B1; 6,926,244B1; 6,964,399B1; 6,988,698B2; 6,988,714B2.

© 2009 LUCASEY MANUFACTURING CORPORATION, Oakland, California. All rights reserved.