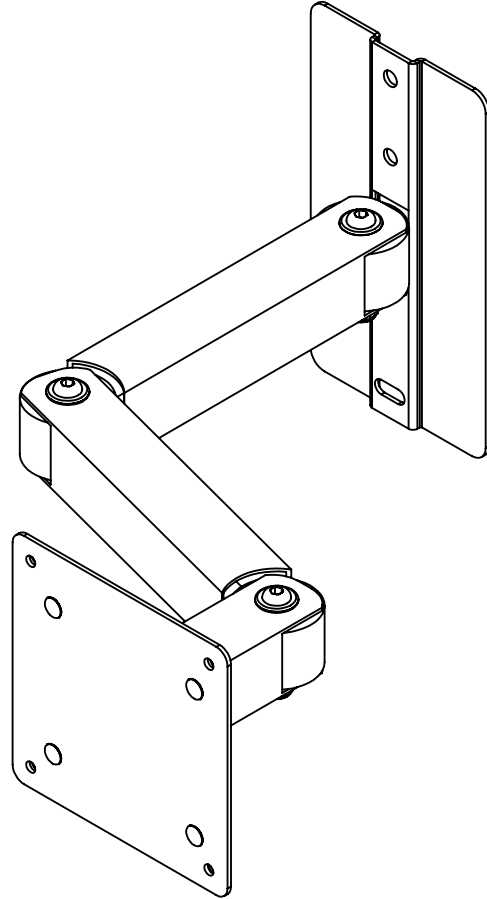




LCDUWDA1

Articulating Wall Mount for Flat Screens up to 20lbs
with 75mm or 100mm Mounting Patterns

The LCDUWDA1 articulating wall mount attaches to small flat screens up to 20lbs with 75mm or 100mm mounting patterns. The wall mount projects from the wall from 5" to 17" with three pivot points to allow the best possible viewing angle for the monitor. The pivot point at the wall and the tilting pivot points can rotate up to 180° or to the maximum range the monitor size will allow. The two articulating arms are limited to 105° bend. Wood lag screws are provided for quick and easy installation into a single wall stud.



Features:

Available in black and silver finishes

Fits flat panel monitors under 20lbs (9.1kg)

Universal mounting pattern fits 75mm x 75mm & 100mm x 100mm VESA compatible monitors

Optional Accessories:

- WMATB3 - Metal Stud Toggle Bolt Kit
- WMAAB3 - Concrete Anchor Bolt Kit

Maximum Load Limit:

20lbs (9.1kg)

Product Weight:

4.8lbs (2.2kg)

Shipping Weight:

5.3lbs (2.4kg)

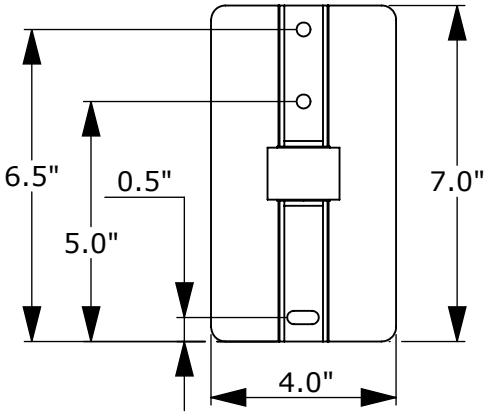
Carton Dimensions:

15-1/2"L x 7-1/2"W x 5-1/2"H

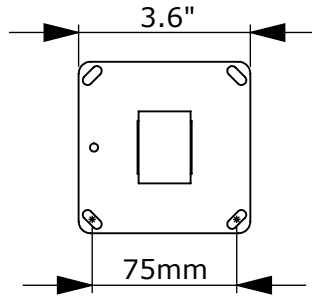
Architectural Specification: The Articulating Wall Mount shall be Lucasey model LCDUWDA1 and shall be located where indicated on the plans. It shall feature monitor attaching plates included compatible with VESA 75mm x 75mm and 100mm x 100mm mounting patterns. Assembly and installation shall be done according to instructions provided by the manufacturer.



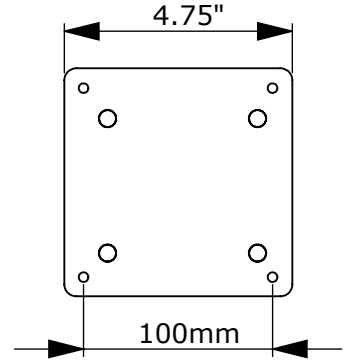
Wall Plate



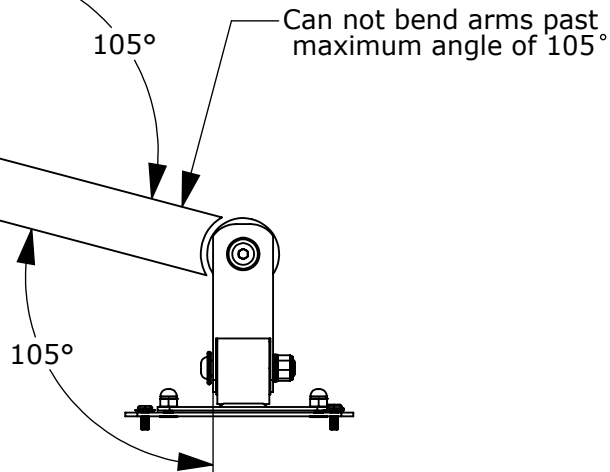
**75mm VESA
Mounting Plate**



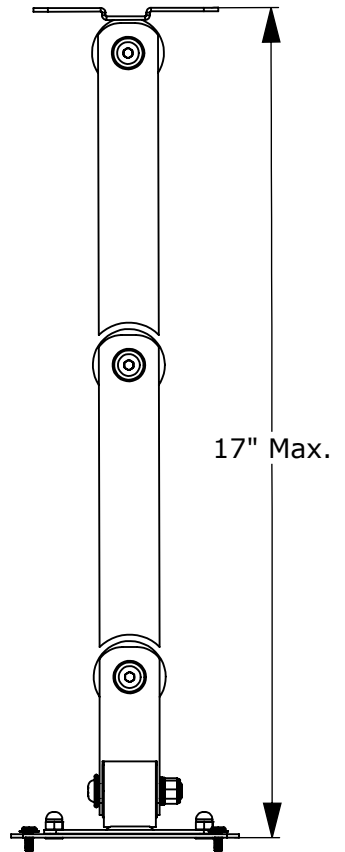
**100mm VESA
Mounting Plate**



Top View



Top View



Top View

