



**LCDUWS - Wafer Thin Profile Wall Mount with Security  
for Flat Screens up to 50lbs  
VESA 75mm, 100mm & 200mm x 100mm Patterns**

The LCDUWS attaches to small and medium size flat screens up to 50lbs with 100mm or 200mm mounting patterns. The wafer thin profile of the mount projects from the wall less than 1/2". A security screw is provided to lock the wall plate to the monitor mounting plate. Wood lag screws & toggle bolts are provided for quick and easy installation into a single wall stud.

**Features:**

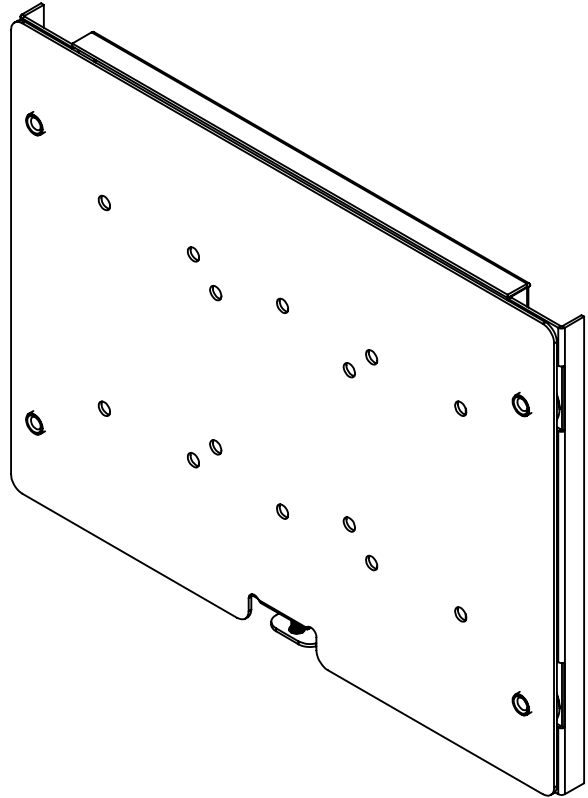
Available in black and silver finishes

Universal mounting pattern fits 75mm, 100mm & 200mm x 100mm VESA compatible monitors

Security screw provided to join wall plate to VESA mounting plate.

Open wall plate allows for electrical and A/V junction boxes behind the monitor.

Gap between plates and plastic edge protector allow for very clean looking wiring in the wall.



**Maximum Load Limit:**

50lbs (22.7kg)

**Product Weight:**

3.0lbs (1.4kg)

**Shipping Weight:**

3.5lbs (1.6kg) or 10 Pack- 35lbs (15.9kg)

**Carton Dimensions:**

12.5"L x 9.5"W x 1.5"H (16"H for 10 Pack)

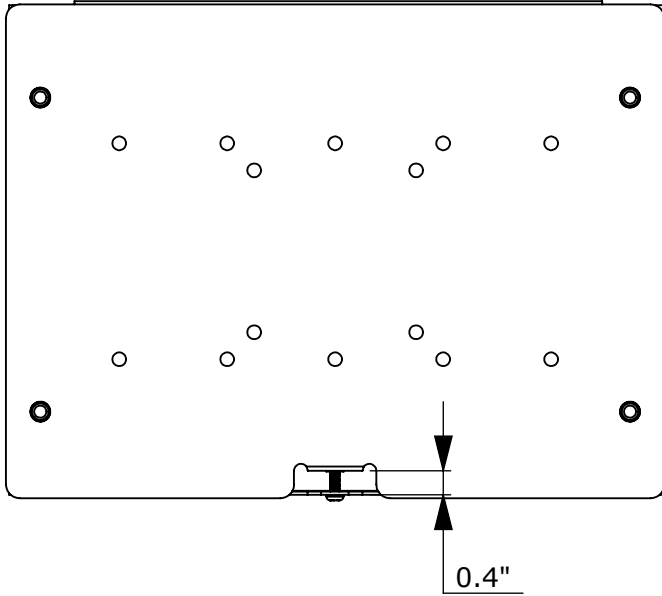
**Optional Accessories:**

WMATB2 - Metal Stud Toggle Bolt Kit  
WMAAB4 - Concrete Anchor Bolt Kit

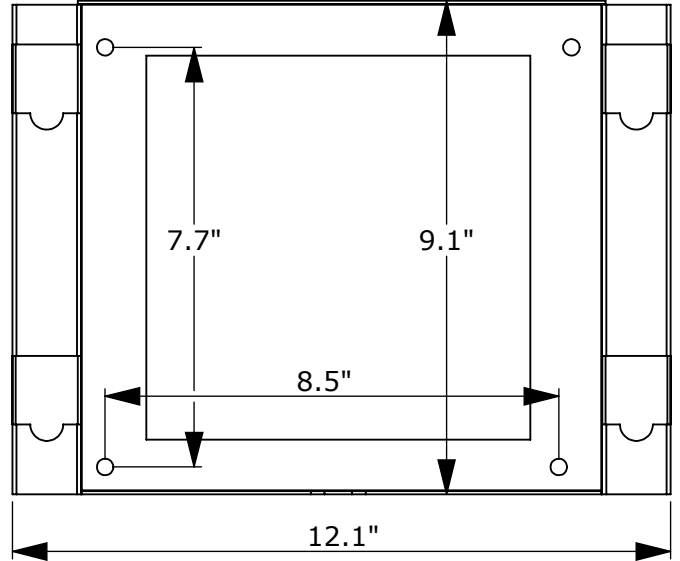
Architectural Specification: The Wafer Thin Profile Wall Mount shall be Lucasey model LCDUWS and shall be located where indicated on the plans. It shall feature monitor attaching plates included compatible with VESA 75mm, 100mm and 200mm x 100mm mounting patterns. Assembly and installation shall be done according to instructions provided by the manufacturer.



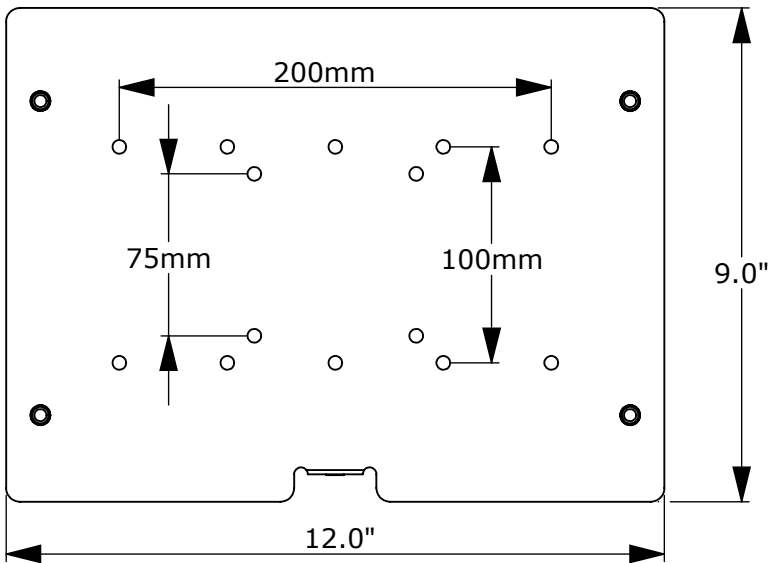
**Front View**



**Wall Plate**



**VESA Mounting Plate**



**Side View**

