



**LG2085A
&
LG2085B**

**Wafer Thin Profile Furniture Mount with Security
for LG 32" LCDs 32LC50C, 32LC5DC & 32LC7DC**

The LG2085 mounts use the existing swivel or non-swivel monitor base to secure the 32" LCD to the furniture. The adhesive model allows the monitor to be secured to granite, marble, glass and other countertops that cannot be drilled. The patented security mechanism provides a discrete wafer thin profile while securing the monitor. Security screws are used to replace the existing monitor stand screws.

Features:

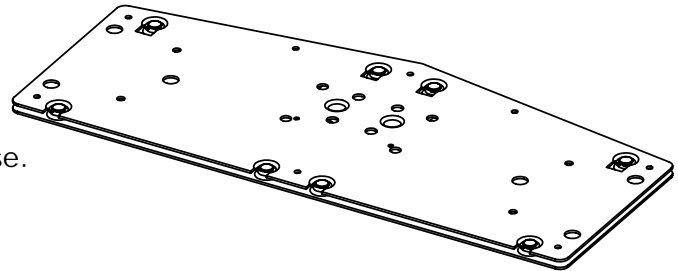
Black finish hides mount under monitor's plastic base.

Fits Commercial LG Models 32LC50C/CB/CS, 32LC5DC/DCB/DCS & 32LC7DC/DCS

Security screws provided to replace monitor stand attaching screws.

Uses existing monitor base center of gravity to mount the monitor securely to the furniture.

Works with both the swivel and non-swivel LG monitor bases.



Security Tools: (Ordered Separately)

LG2085K - Release Key for LG2085 including Hex Key with Hole

Maximum Load Limit:

50 Lbs. (22.7 Kg.)

Product Weight:

5.5 Lbs. (2.5 Kg.)

Shipping Weight:

11.5 Lbs. (5.2 Kg.) (2 Per Box)

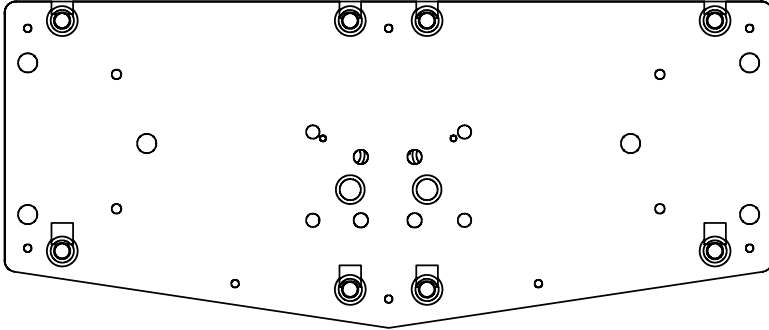
Carton Dimensions:

21-1/8"L x 9-1/8"W x 1-1/2"H
(2 per Box)

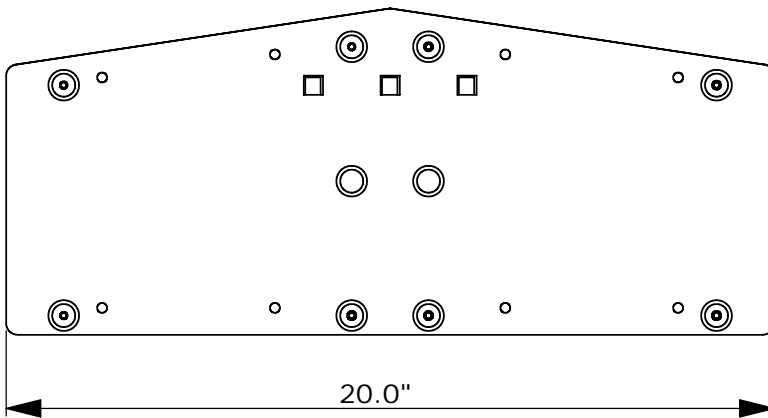
Architectural Specification: The Wafer Thin Furniture Mount shall be Lucasey model LG2085A or LG2085B and shall be located where indicated on the plans. It shall feature monitor base attaching plates compatible with LG Models: 32LC50C/CB/CS, 32LC5DC/DCB/DCS & 32LC7DC/DCS. Assembly and installation shall be done according to instructions provided by the manufacturer.



Top View



Bottom View



Side View

