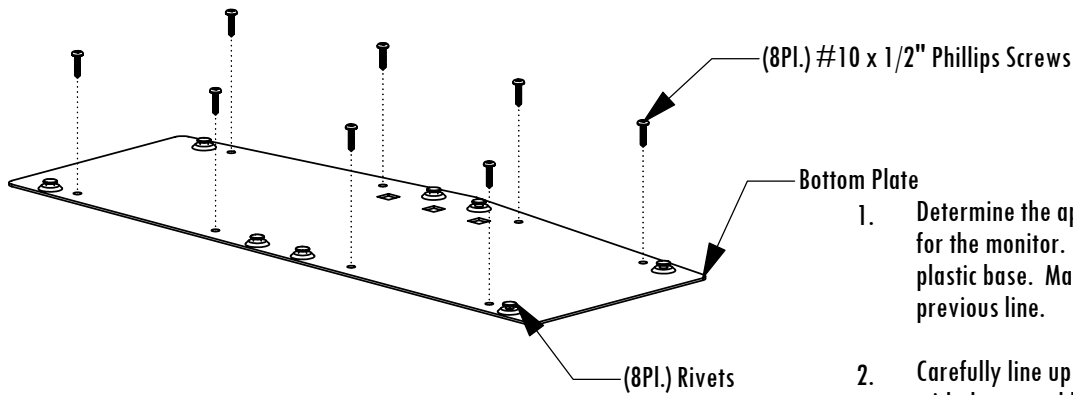
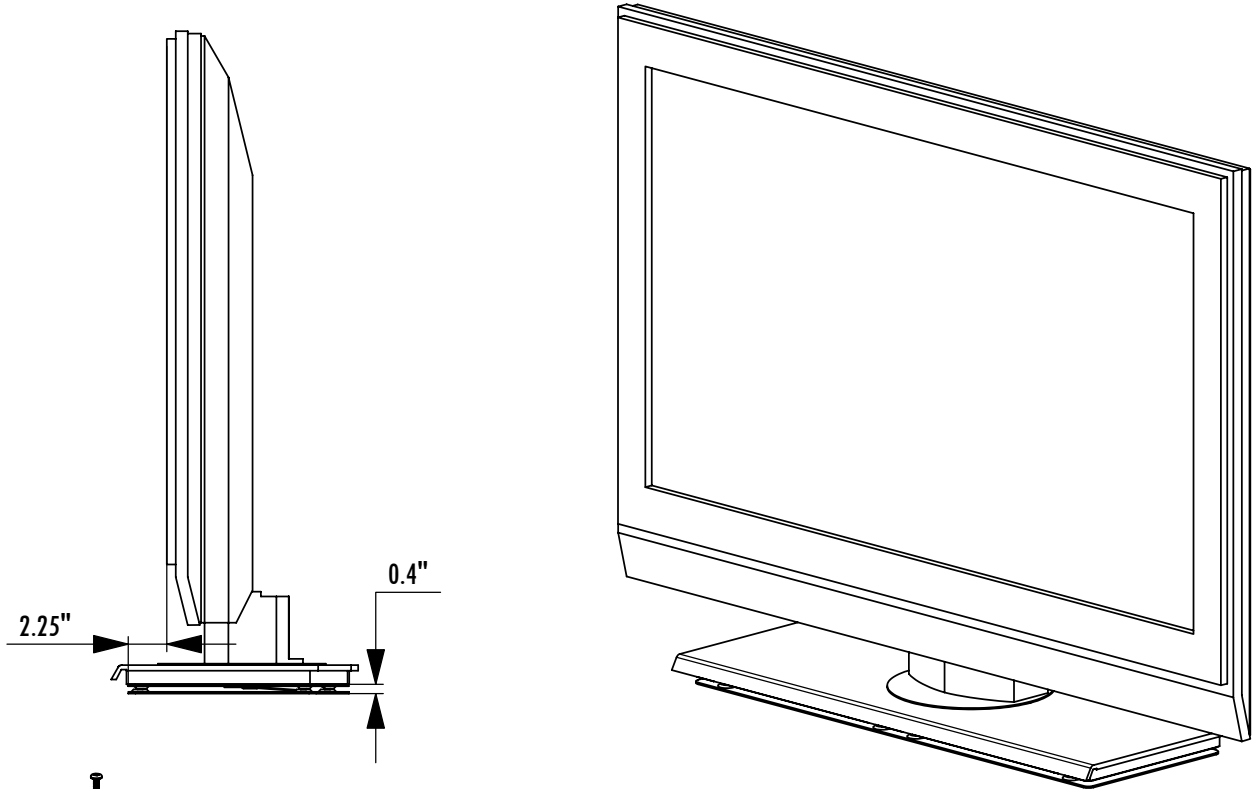
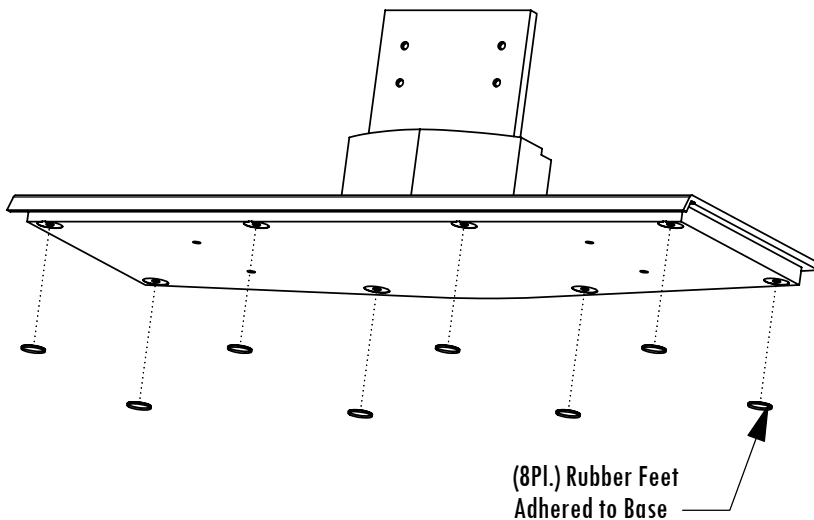


# LG2510B - Bolt Down Furniture Mount

for LG Models 42LC5DC/DCB/DCS & 42LC50C

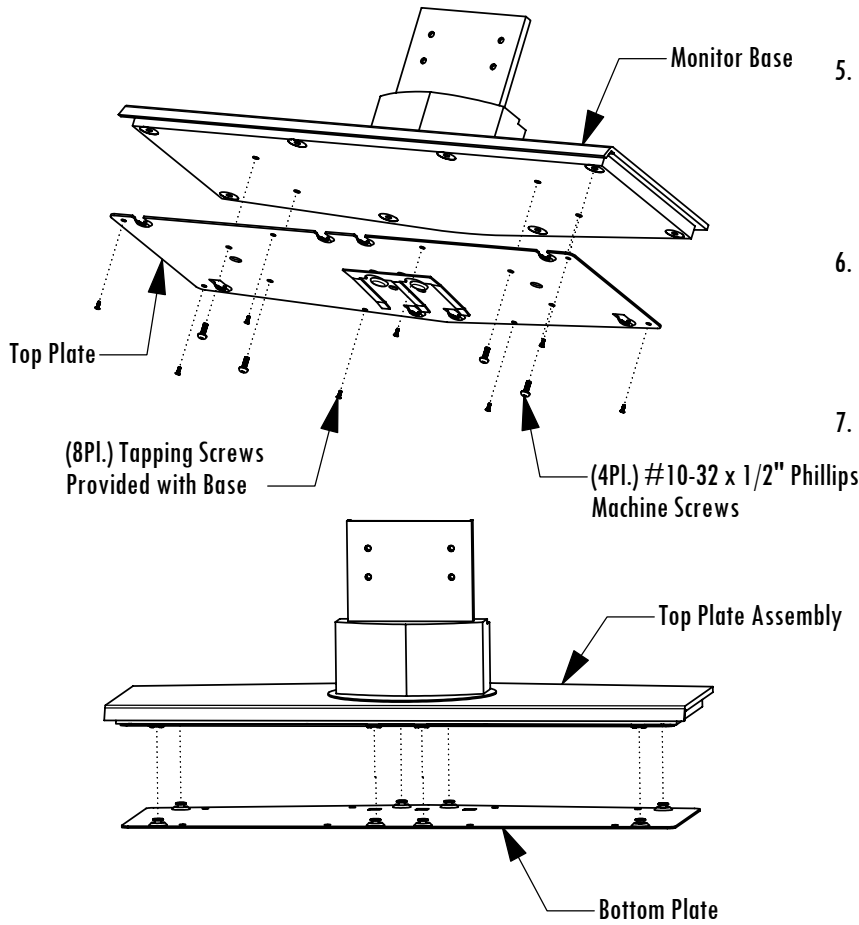


1. Determine the appropriate location on the furniture for the monitor. Mark the front edge of the monitor's plastic base. Mark a parallel line  $3/4$ " back from the previous line.
2. Carefully line up the front edge of the Bottom Plate with the second line marked in step 1.
3. Attach the Bottom Plate to the furniture with the provided  $\#10 \times 1/2$ " Phillips Tapping Screws
4. Remove the rubber feet from the LG Monitor Base.

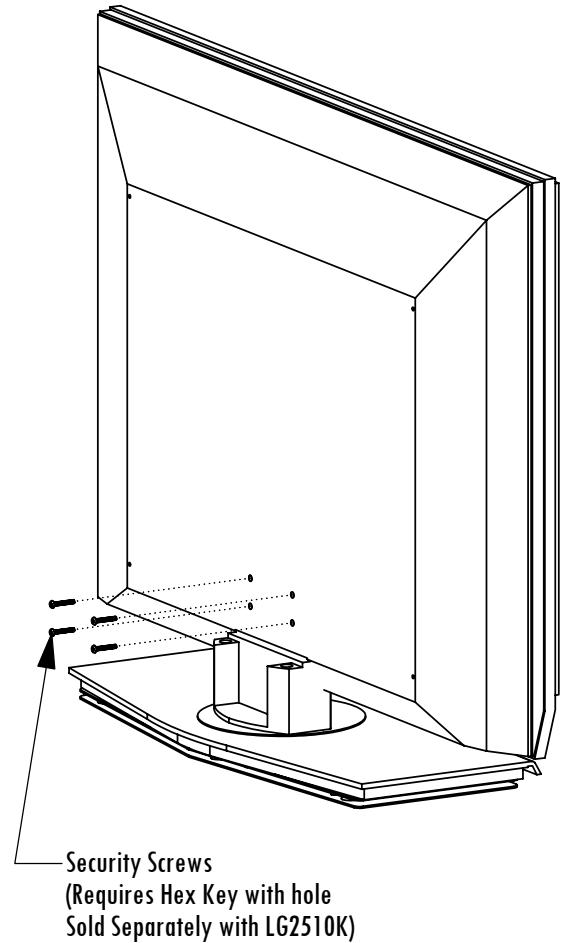


## Component List

- 1 ... Top Plate
- 1 ... Bottom Plate
- 4 ... Security Screws
- 4 ...  $\#10-32 \times 1/2$ " Phillips Machine Screws
- 8 ...  $\#10 \times 1/2$ " Phillips Tapping Screws



5. Attach the Top Plate to the Monitor Base with the provided #10-24 x 1/2" Phillips Machine Screws using the tapped holes in the Monitor Base and with the Tapping Screws removed from the Monitor Base.
6. Align the slots on the Top Plate Assembly with the rivets on the Bottom Plate. Pull forward on the Top Plate Assembly to lock the two plates together.
7. Attach the LG monitor to the Monitor Base with the provided Security Screws. (Requires Hey Key with Hole, sold separately with LG2510K - Release Key)



### Monitor Removal

Align the Release Key with the middle of the mount and Slide the Release Key between the Top Plate Assembly and the Bottom Plate.

Once the Release Key is inserted all the way, the top and bottom plates will release from each other.

Protected under one or more of these U.S. Patent numbers: 3,291,432; 3,559,942; 3,724,798; DES:270,689; 4,613,109; 4,678,645; 4,852,842; DES:309,5624; 973,023; 5,169,114; 5,255,884; 5,310,159; 5,522,576; 5,621,614; 5,660,661; 6,102,398; 6,138,704; 6,454,116; 6,761,276; 6,826,426; 6,826,426; 6,826,426