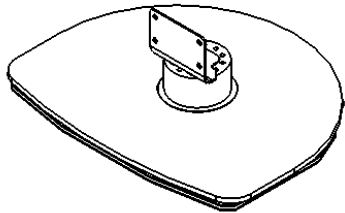


PCEC1417B - Bolt Down Furniture Mount

for Philips Models: 32HF5581, 37HFL5682L/F7 & 42HFL5682L/F7

Philips monitor & base not included with PCEC1417B



Component List

- 1 ... PCEC1417B Top Plate
- 1 ... PCEC1417B Bottom Plate
- 8 ... #8 x 5/8" Phillips Pan Head Tapping Screws
- 4400" Dia x .150" Tall Plastic Adhesive Buttons

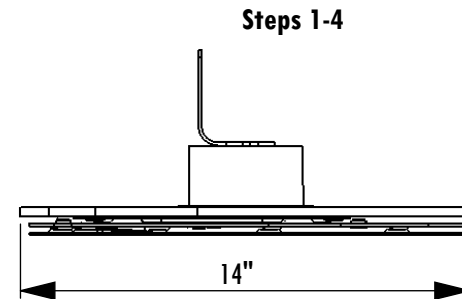
1. Determine the appropriate location on the furniture for the monitor. Mark a parallel line at the front edge of the Philips monitor base. Mark a second parallel line 14" back from the previous line.

2. Carefully line up the back of the PCEC1417B Bottom Plate with the second line marked in step 1.

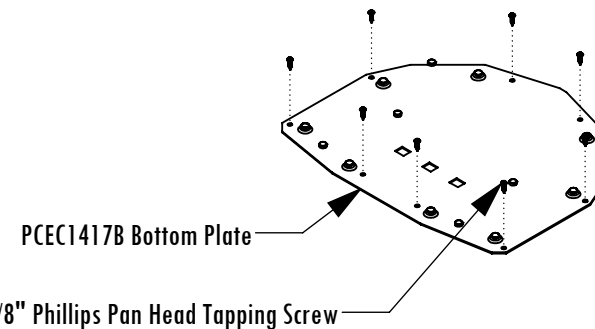
3. Mark the location of the (8) mounting hole locations using the Bottom Plate as a template.

4. Drill 5/8" deep pilot holes with a 1/16" bit in each of the mounting hole locations.

5. Attach the PCEC1417B Bottom Plate to the furniture with the provided #8 x 5/8" Phillips Pan Head Screws.



Step 5



Important! Please read all warnings and cautions before installing the mount.

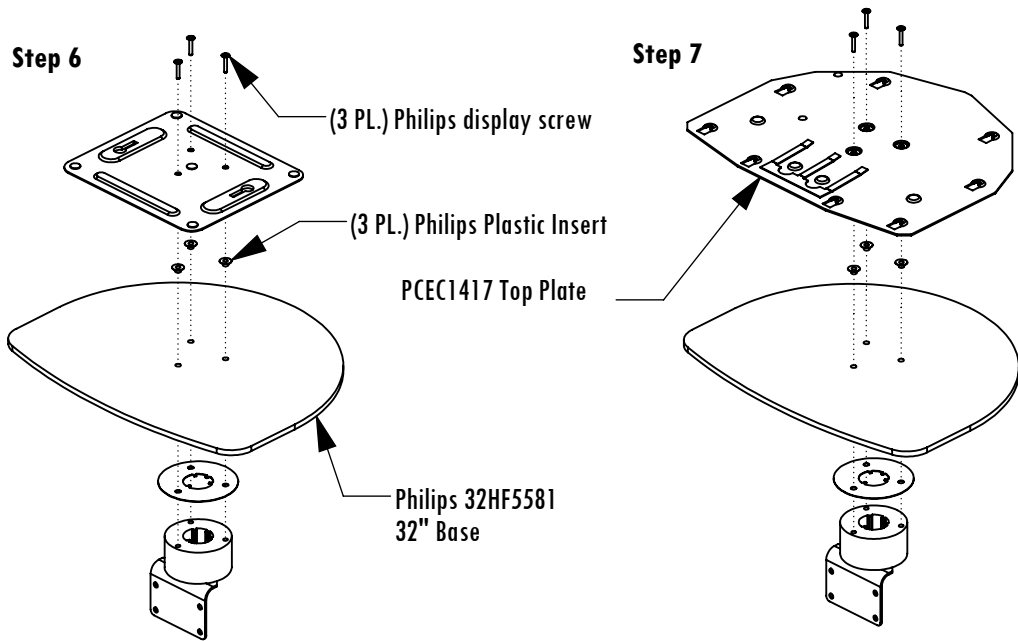
Caution: Improper installation of this mount may void the warranty on your monitor.

Caution: Installation should be performed by qualified installers only, using construction methods prescribed by authorized architects or engineers that comply to all applicable codes and standards.

The maximum weight of monitor to be installed on the PCEC1417B is 50lbs (22.7 kg)

Inspect all parts to make sure there is no shipping damage. Do not install if any parts are damaged.

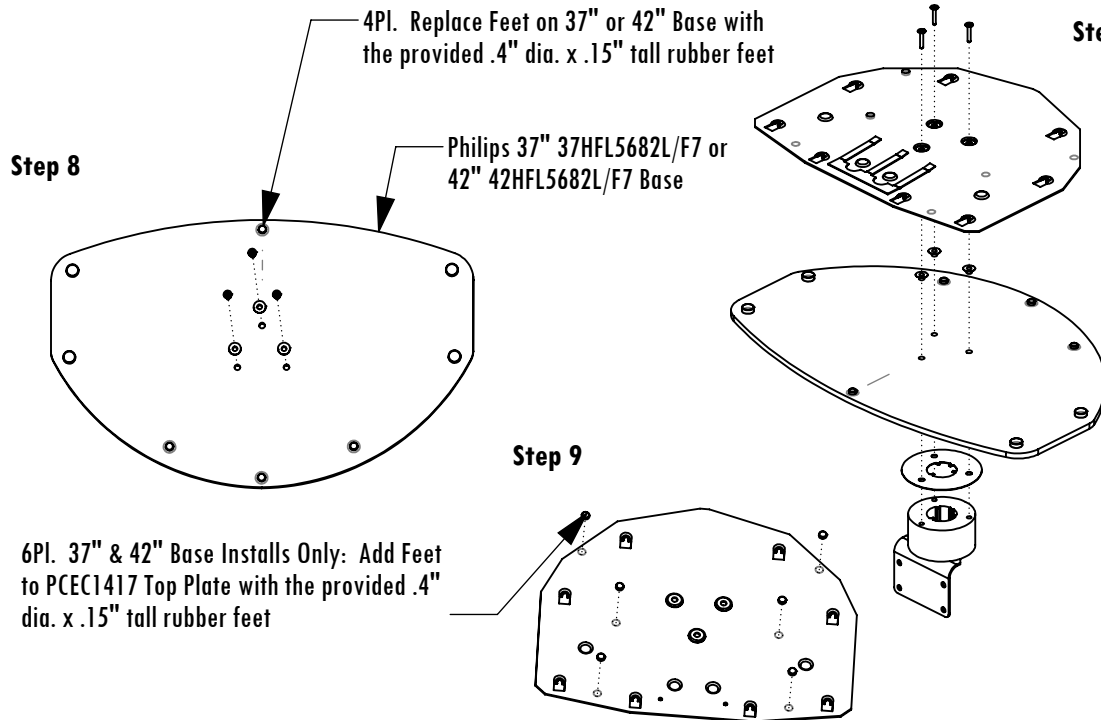
Please call 1-800-LUCASEY or 1-510-534-1435 if you have any questions about this installation.



Philips 32" 32HF5581 Base Installation

6. Remove the three screws from the bottom of the Philips Display Base and set aside for later use. Leave the three plastic inserts in the holes.

7. Confirm that the plastic inserts that came with the display are still in the holes. Align the holes in the PCEC1417B Top Plate with the holes in the display base, placing the raised portions of the PCEC1417B Top Plate against the display base. Use the the three screws that came with the display to fasten the PCEC1417B Top Plate onto the display base.



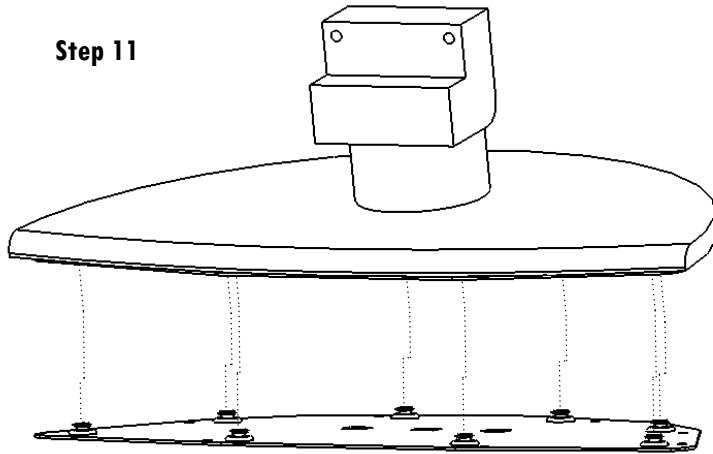
6Pl. 37" & 42" Base Installs Only: Add Feet to PCEC1417 Top Plate with the provided .4" dia. x .15" tall rubber feet

Philips 37" 37HFL5682L/F7 or Philips 42" 42HFL5682L/F7 Base Installation

8. Remove the three screws from the bottom of the Philips Display Base and set aside for later use. Leave the three plastic inserts in the holes. Replace the 4 Rubber Feet on the 37" or 42" Philips Base with 4 of the 10 provided Rubber Feet in the locations shown.

9. Add 6 of the 10 provided Rubber Feet to the PCEC1417 Top Plate in the locations shown.

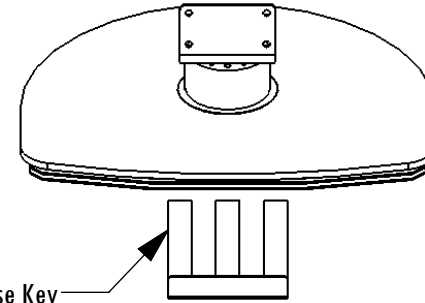
10. Confirm that the plastic inserts that came with the display are still in the holes. Align the holes in the PCEC1417B Top Plate with the holes in the display base, placing the raised portions of the PCEC1417B Top Plate against the display base. Use the the three screws that came with the display to fasten the PCEC1417B Top Plate onto the display base.

Step 11

11. Align the slots on the Top Plate Assembly with the rivets on the Bottom Plate and pull forward on the Top Plate Assembly to lock the two plates together. Double check that all of the rivets have properly seated by lifting up on the corners of the Top Plate Assembly and by pushing the Top Plate Assembly back.

Note: Do not align the Top Plate Assembly with the monitor attached to the monitor base.

Attach the Philips Monitor to the Monitor Base. Follow the manufacturer's instructions for attaching the Monitor Base to the Philips Monitor, using the screws that came with the monitor.



PCEC1417K Release Key

Monitor Release

Align the Release Key slightly off-center as shown and slide between the Top Plate Assembly and the Bottom Plate.

Once the Release Key is inserted all the way, the top and bottom plates will release from each other by lifting up and back with the monitor attached to the PCEC1417B Top Plate.