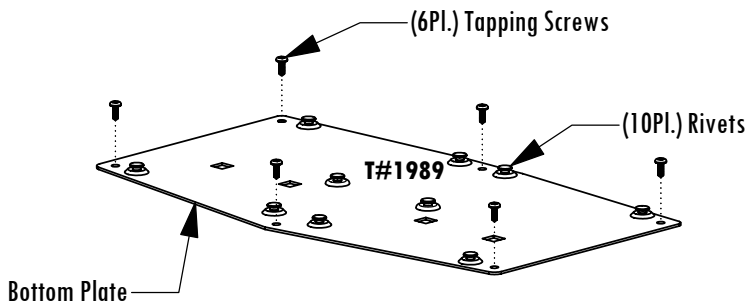
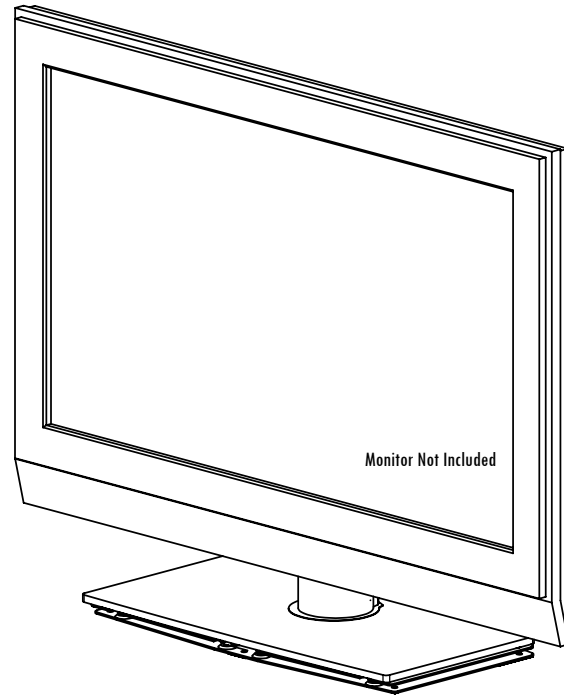
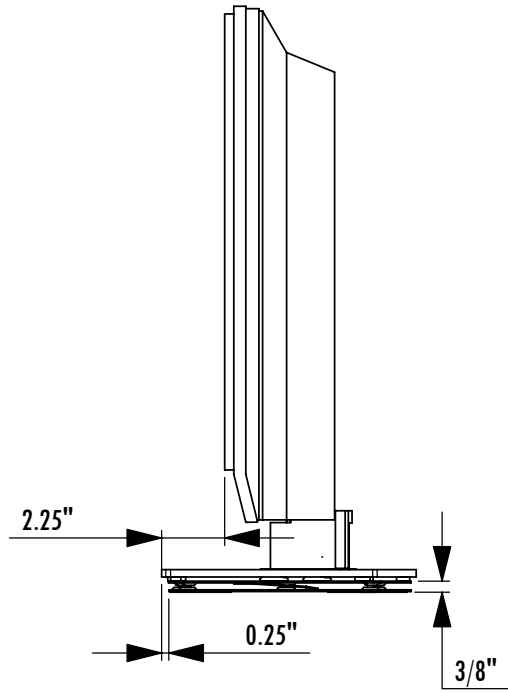
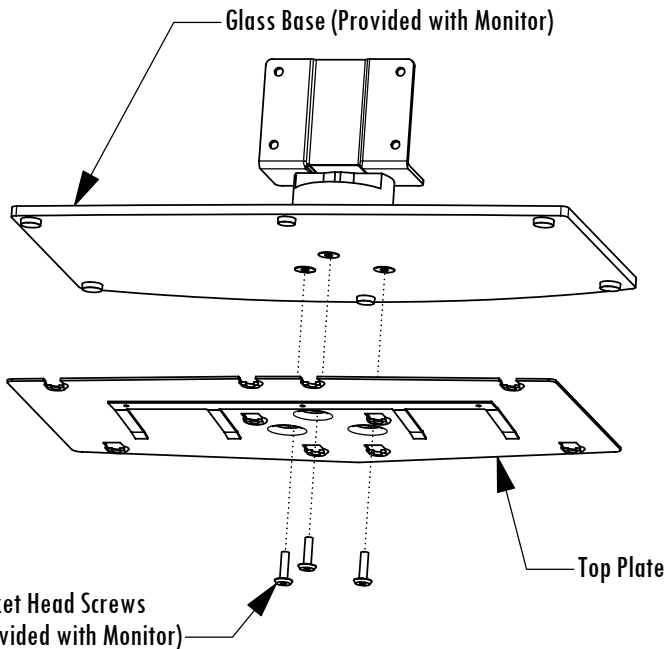


PCEC1710B - Bolt Down Furniture Mount

for Philips Models: 32HFL5860, 32HF7945 & 26HF7945

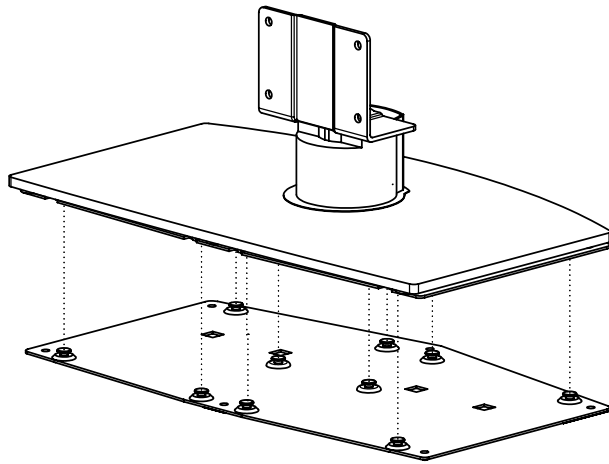


1. Determine the appropriate location on the furniture for the monitor. Mark the front edge of the monitor's glass base. Mark a parallel line 1/4" back from the previous line with a non-permanent marker.
2. Carefully line up the front edge of the Bottom Plate with the second line marked in step 1.
3. Attach the Bottom Plate to the furniture with the six #10 x 1/2" Phillips Tapping Screws.
4. Attach the Top Plate to the Glass Base using three Socket Head Screws from the bottom of the base.



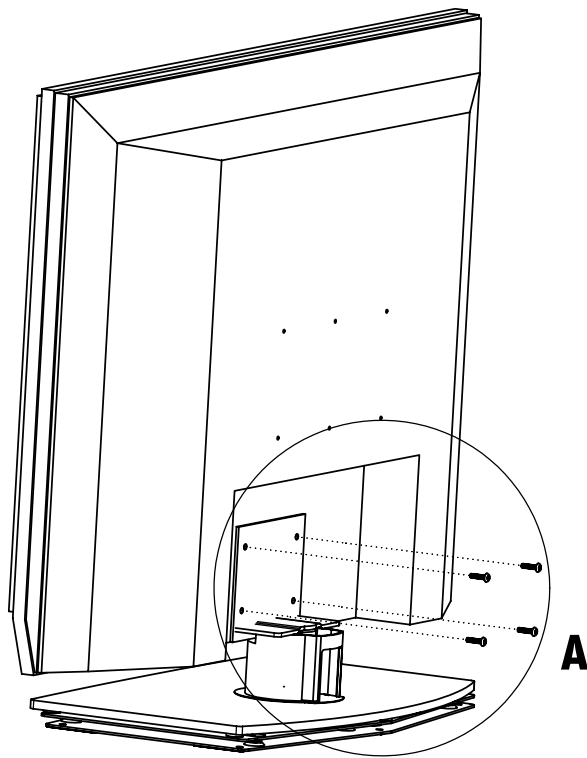
Component List

- 1 ... Top Plate
- 1 ... Bottom Plate
- 4 ... Security Screws
- 6 ... #10 x 1/2" Phillips Tapping Screws

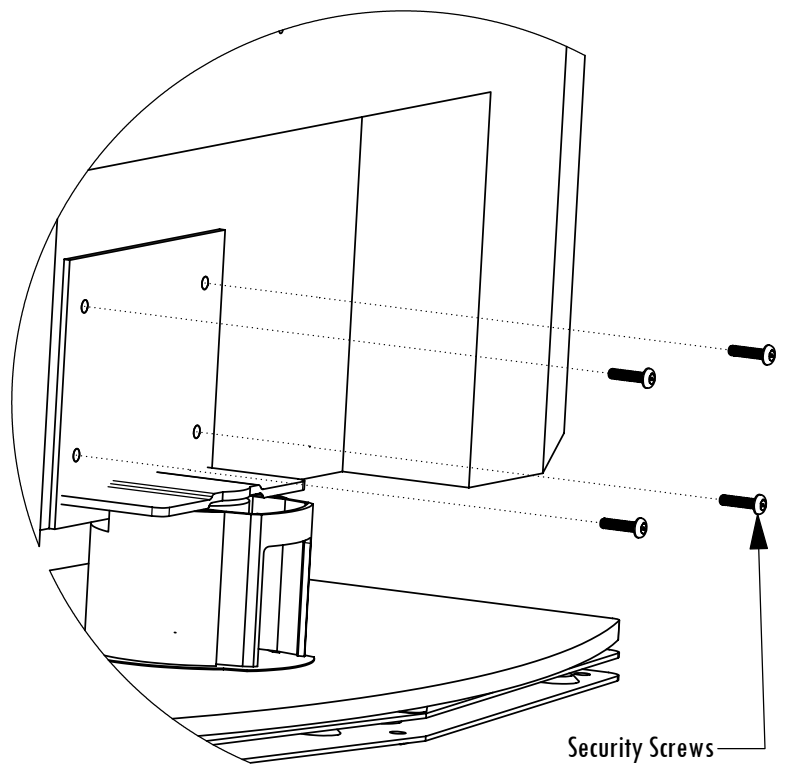


7. Take the Top Assembly from Step 6 and align with the rivets on the Bottom Plate. Slide the Top Assembly forward until the Top and Bottom Plates are locked together. Make sure all of the tabs on the Top Assembly are engaged by pushing back and forth to make sure Top Assembly is locked in place.

8. Refer to the appropriate Philips documentation for attaching the monitor to the monitor base. Attach the monitor to the Monitor Base by screwing the four Security Screws into the holes indicated in Detail A.



A



Security Screws

Detail A

Protected under one or more of these U.S. Patent numbers: 3,291,432; 3,559,942; 3,724,798; DIS.270.689; 4,613,109; 4,878,645; 4,882,842; DIS.309.5634; 973,023; 5,169,114; 5,255,884; 5,310,152; 5,522,576; 5,621,614; Re.35.677; DIS.398.834; 5,826,384; 5,941,492; 5,964,068; 6,060,661; 6,102,398; 6,158,704; 6,454,116; 6,761,276; 6,806,428; 6,806,428; 6,806,428