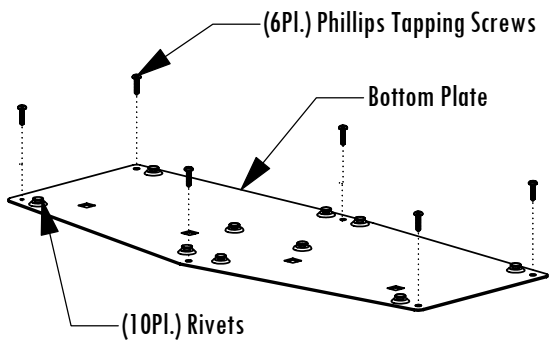
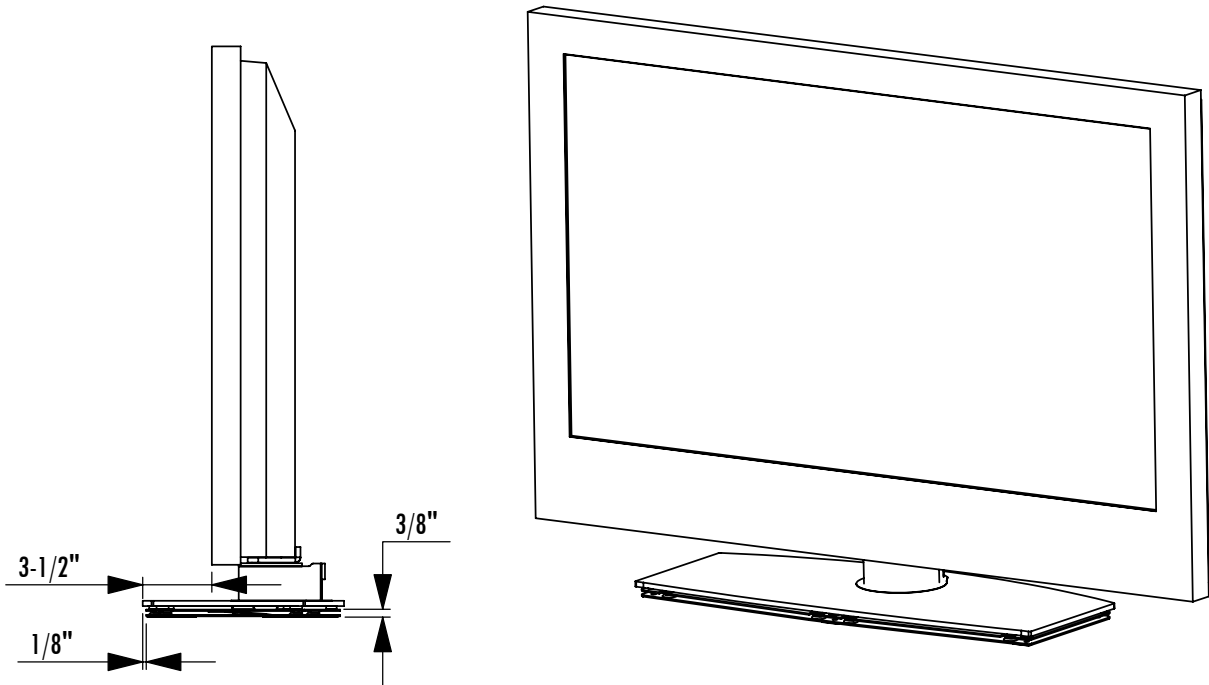
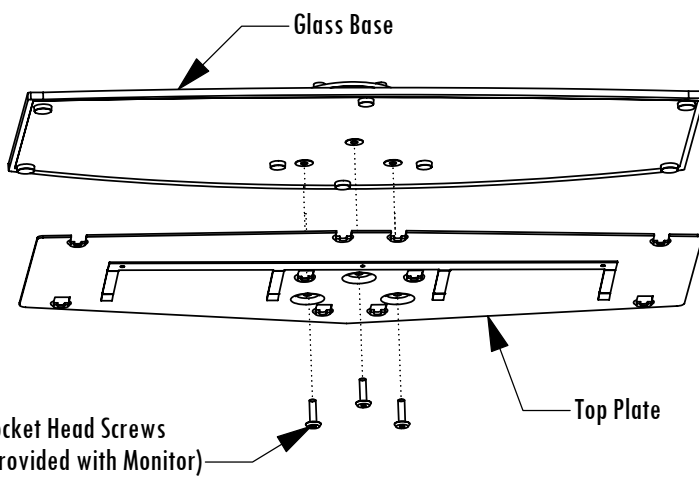


PCEC2410B - Bolt Down Furniture Mount

for Philips Models: 37HFL5560, 42HFL5886 & 42HF7945



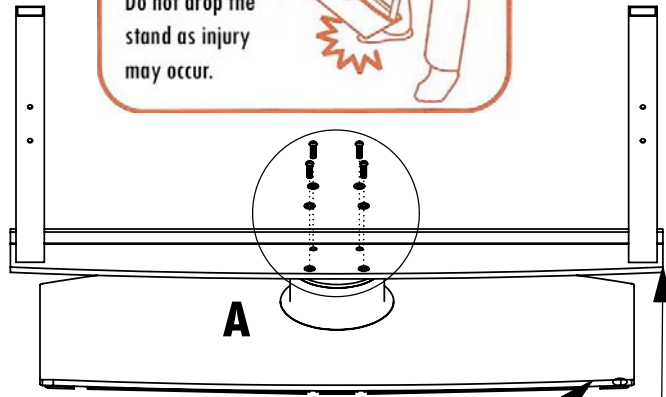
1. Determine the appropriate location on the furniture for the monitor. Mark the front edge of the monitor's glass base on the countertop. Mark a parallel line 1/8" back from the previous line.
2. Align the Bottom Plate with the second line and mark each of the 6 screw hole locations.
3. Drill each of the marked screw locations with a 1/16" drill bit 3/4" deep.
4. Attach the Bottom Plate with the provided Phillips Tapping Screws
5. Attach the Top Plate to the Glass Base using three Socket Head Screws from the bottom of the base.



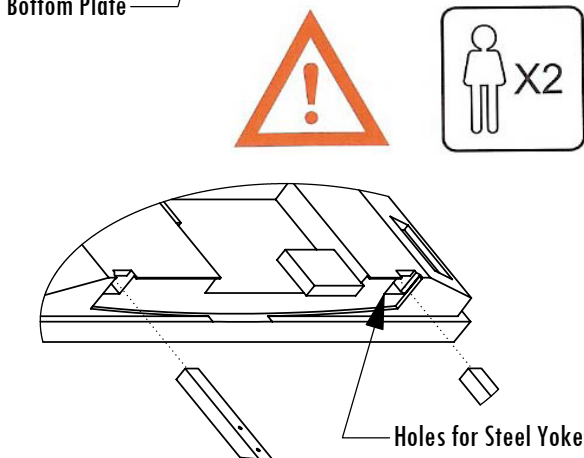
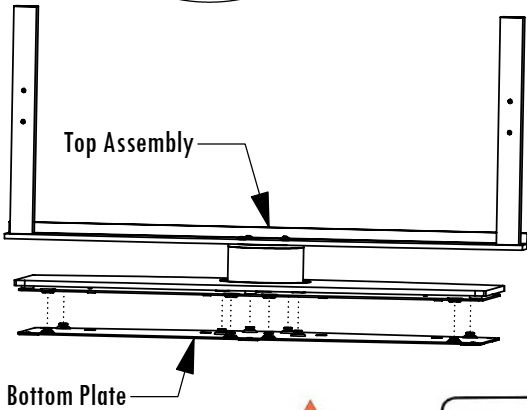
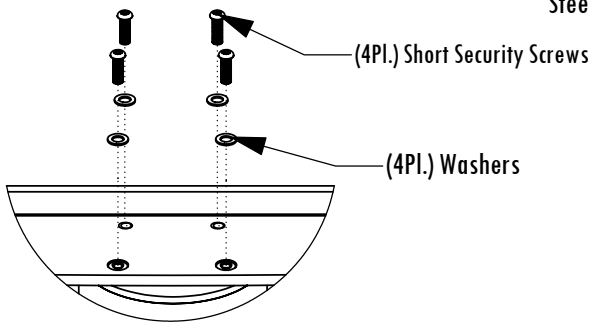
Component List

- 1 ... Top Plate
- 1 ... Bottom Plate
- 2 ... Long Security Screws
- 4 ... Short Security Screws
- 6 ... Flat Washers
- 6 ... #10 x 1/2" Philips Screws

CAUTION :
 During assembly of set, handle with care!
 Do not drop the stand as injury may occur.



DETAIL A



6. Attach the Steel Yoke to the swivel on the Glass Base using the Short Security Screws and Flat Washers. See Detail A. Be careful not to damage the Glass Base while attaching the Steel Yoke.
7. Take the Top Assembly from Step 7 and align with the rivets on the Bottom Plate. Slide the Top Assembly forward until the Top and Bottom Plates are locked together. Make sure all of the tabs on the Top Assembly are engaged by pushing back and forth to make sure Top Assembly is locked in place.
8. This step requires two workers. Hold the Steel Yoke so that it does not move and lower the monitor onto the arms as indicated in the monitor user manual. The curved edge of the Steel Yoke faces the front.
9. Secure the monitor to the Steel Yoke by screwing the two Long Security Screws with Washers into the holes indicated in Detail B.

DETAIL B

