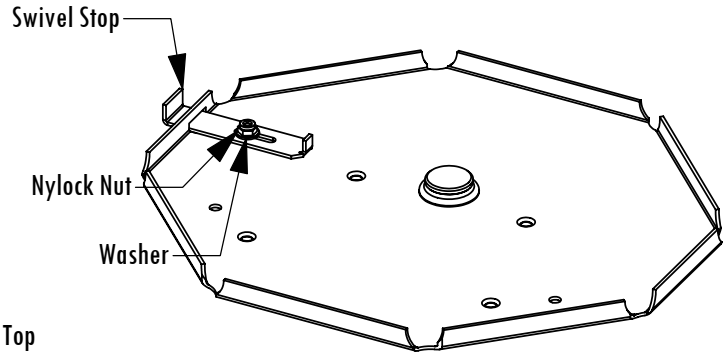


1 Bolt Down Base

Attach the Base to the furniture with the provided Tapping Screws.

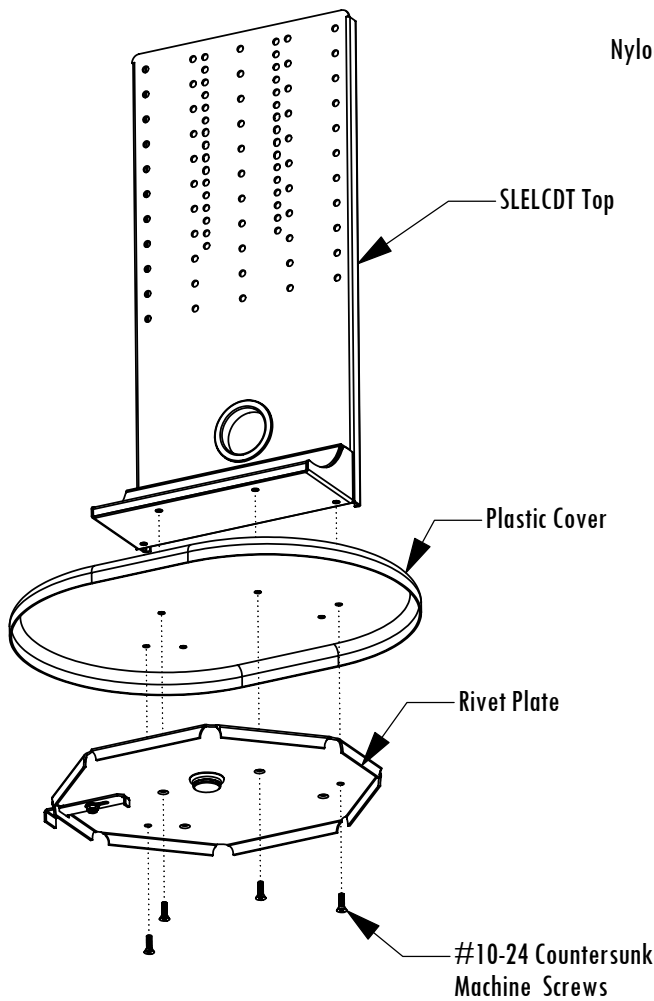
Note: An adhesive adapter is sold separately for installations where the countertop can not be used to screw the base down.



2 Adjust Swivel Stop

Adjust the Swivel Stop for the desired degree of swivel and tighten the Nylock Nut.

Note: Determine the degree of swivel by attaching the Rivet Plate to the Base, swiveling the Rivet Plate and pushing the Swivel Stop until it hits the Base.

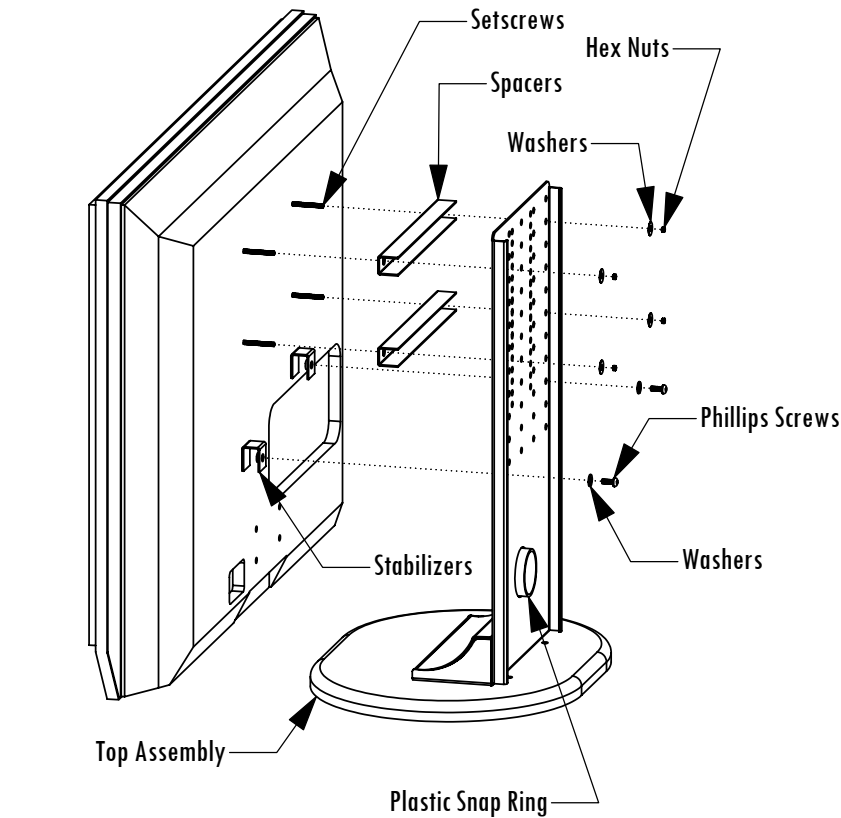


3 Assemble Top

Assemble the SLELCDT Top with the Plastic Cover and Rivet Plate using 4 of the 6 Countersunk Screws provided. Leave the two back holes empty.

Component List

1 ... Base	2 ... Spacers	4 ... 4mm x 40mm Setscrews	4 ... 6mm x 40mm Setscrews
1 ... SLELCDT Top	2 ... Stabilizers with Screws & Washers	4 ... 4mm x 12mm Phillips Screws	4 ... 6mm x 12mm Phillips Screws
1 ... Rivet Plate	1 ... Swivel Stop with Nylock Nut & Washer	8 ... 4mm Hex Nuts	8 ... 6mm Hex Nuts
1 ... Plastic Cover	1 ... Plastic Edge Protector	4 ... 5mm x 40mm Setscrews	12 ... 5mm Washers
1 ... Back Cover	6 ... #10-24 Countersunk Machine Screws	4 ... 5mm x 12mm Phillips Screws	12 ... 1/4" Washers
	4 ... #10 x 3/4" Tapping Screws	8 ... 5mm Hex Nuts	



4 Monitor Attachment

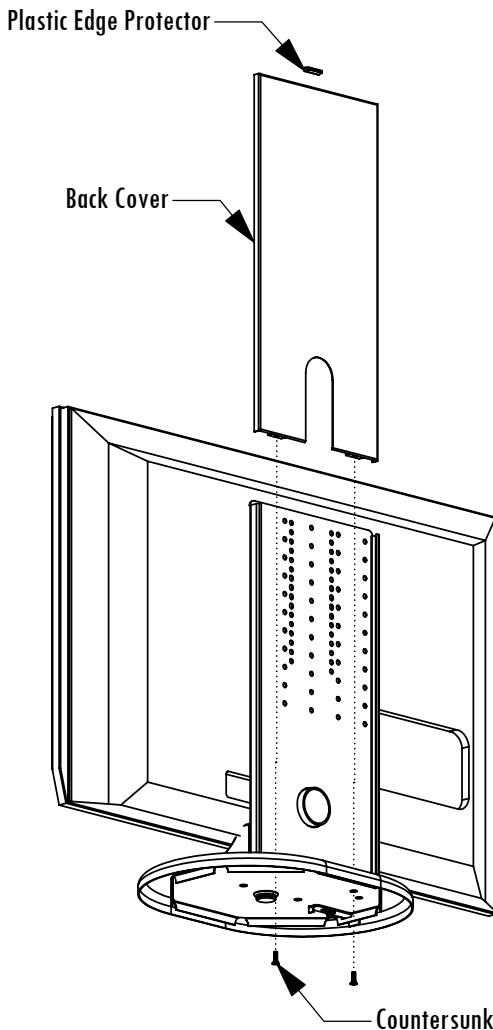
Route the power and video connections to the monitor through the Plastic Snap Ring in the Top Assembly before attaching the monitor.

Attach the monitor to the Top Assembly from Step 3 using monitor attaching hardware appropriate for the type of monitor being installed.

Warning! Failure to use the appropriate size and length of monitor attaching screws may cause damage to the monitor or improperly secure the monitor to the mount. Check with the monitor manufacturer for the appropriate screws to use for monitor attachment.

Caution! If there are vents or connections on the back of the monitor that are blocked by the Top Assembly, use the provided Spacers and Adhesive Stabilizers to provide a gap between the back of the monitor and the Top Assembly. Place the stabilizers as low and as far apart as possible on the back of the monitor within the mounting pattern on the Top Assembly.

See the SLELCDT Detailed Instructions for examples of monitor attachment. The example shown uses setscrews, spacers and stabilizers that may not be needed for all installations.



5 Back Cover

Slide the Plastic Edge Protector onto the top edge of the Back Cover to silence noises from vibrations.

Attach the Back Cover to the Top Assembly using the remaining two Countersunk Screws.

6 Click Together

Attach the assembly from Step 5 to the Base by aligning the Rivet in the bottom of the assembly with the triangular slot on the Base. Push back until there is an audible click and the Top Assembly is locked in place.

